

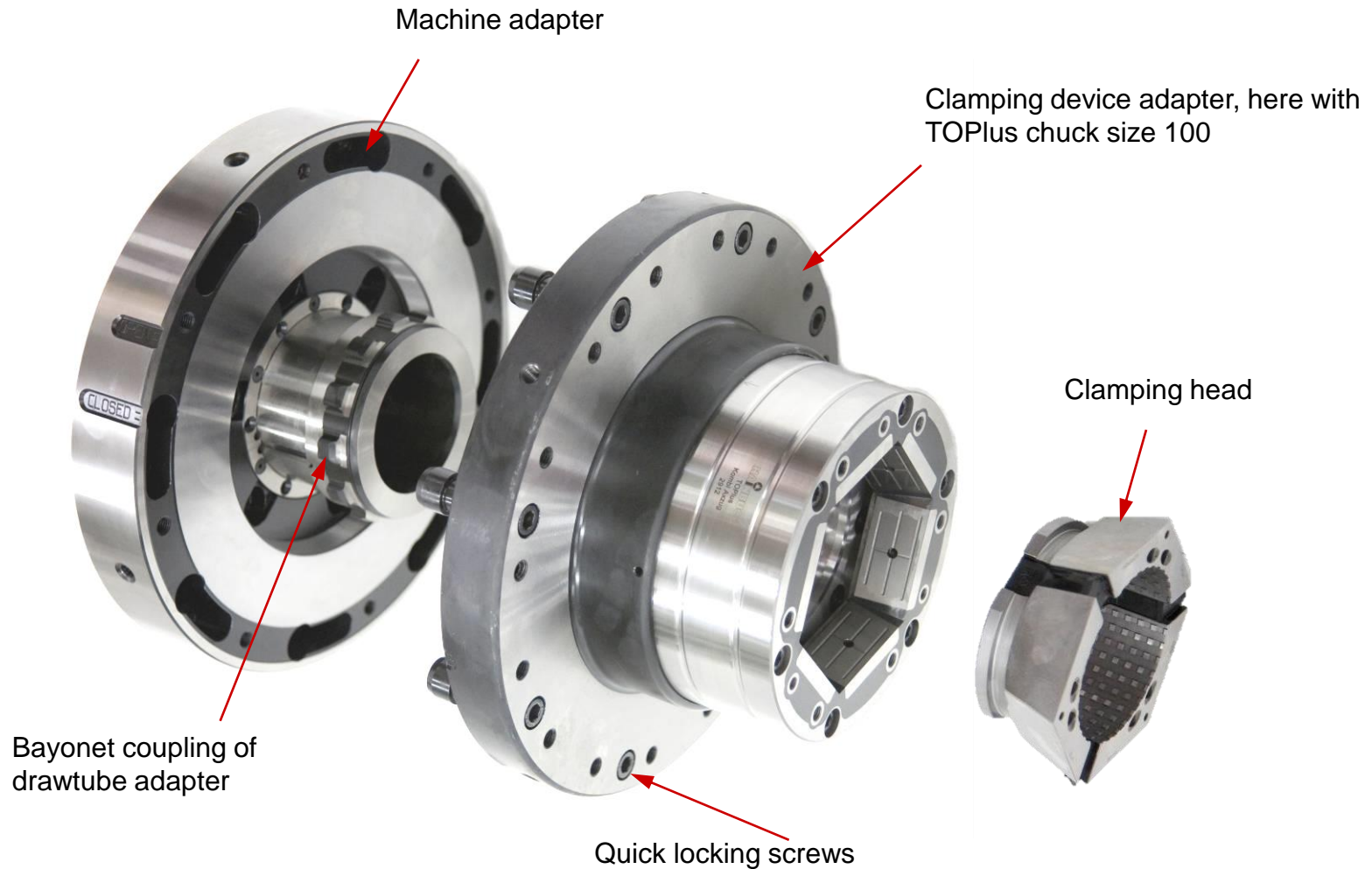


centroteX

quick-change system

CentroteX quick-change system

Quick-change of heavy chucks:



CentroteX quick-change system

In short:

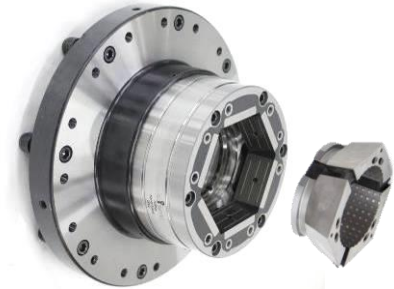
- Short change-over time
- No alignment necessary
- Reduced throughput time due to higher flexibility



centroteX
machine adapter



Jaw chuck size 315



TOPlus combi pull-back

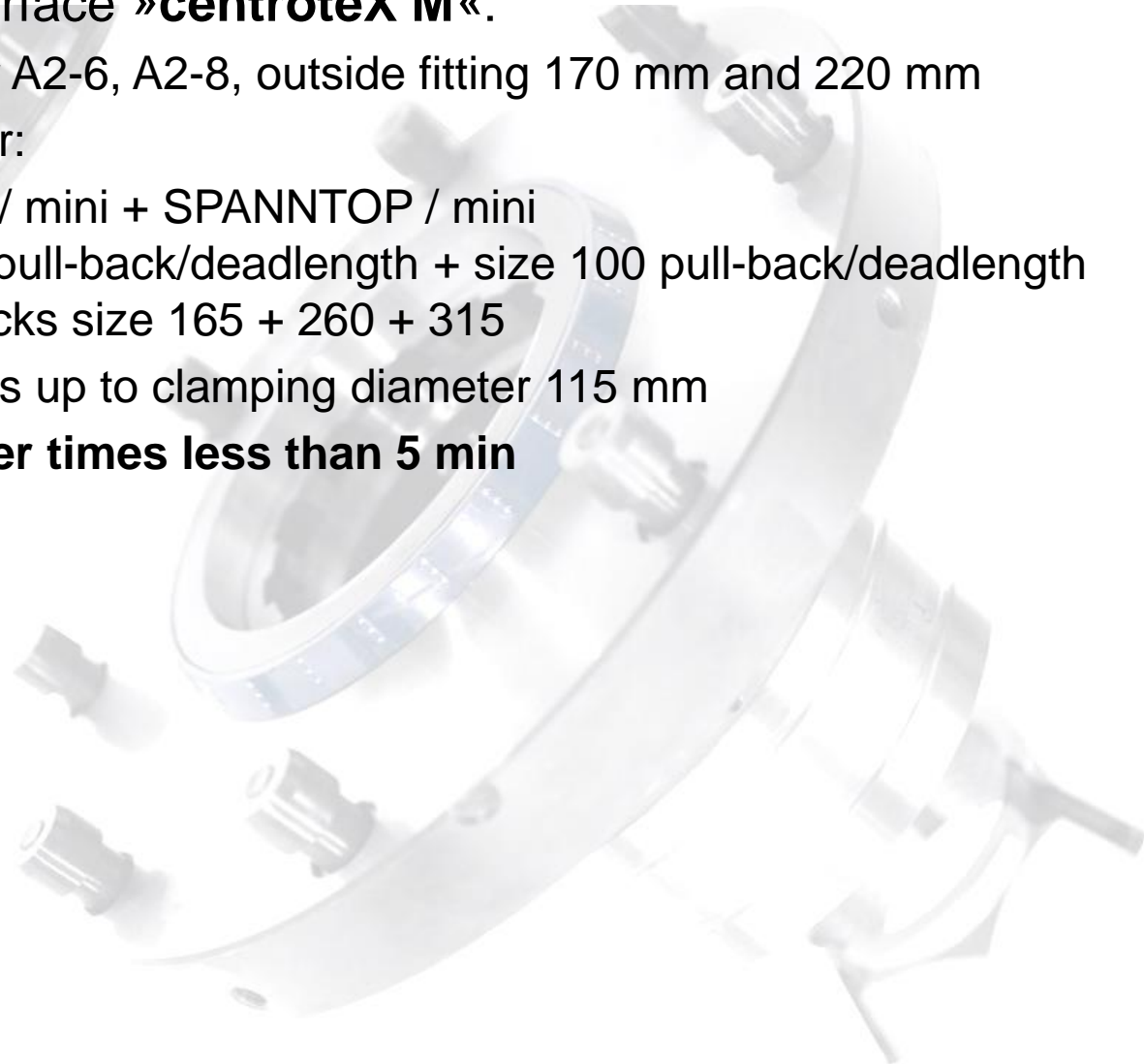


Mandrel

CentroteX quick-change system

Standardized interface »centroteX M«:

- On stock for A2-6, A2-8, outside fitting 170 mm and 220 mm
- Designed for:
 - TOPlus / mini + SPANNTOP / mini
size 65 pull-back/deadlength + size 100 pull-back/deadlength
jaw chucks size 165 + 260 + 315
 - Mandrels up to clamping diameter 115 mm
- **Change-over times less than 5 min**



CentroteX quick-change system

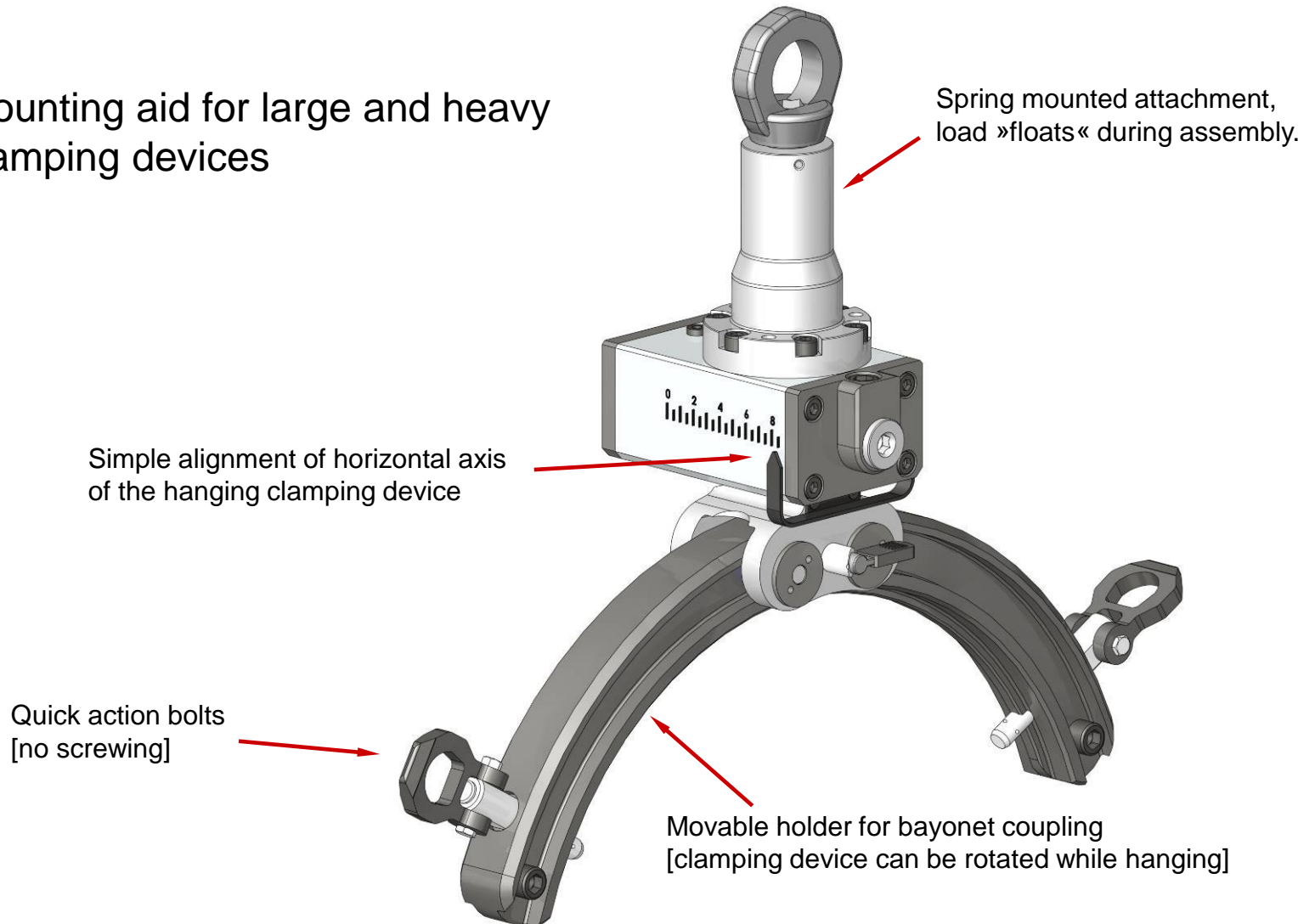
Example:



Accessory

Monteq:

- Mounting aid for large and heavy clamping devices



Accessory

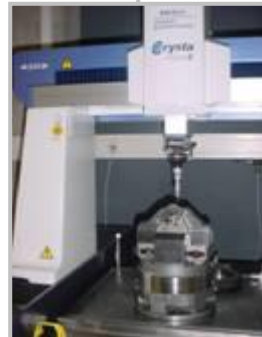
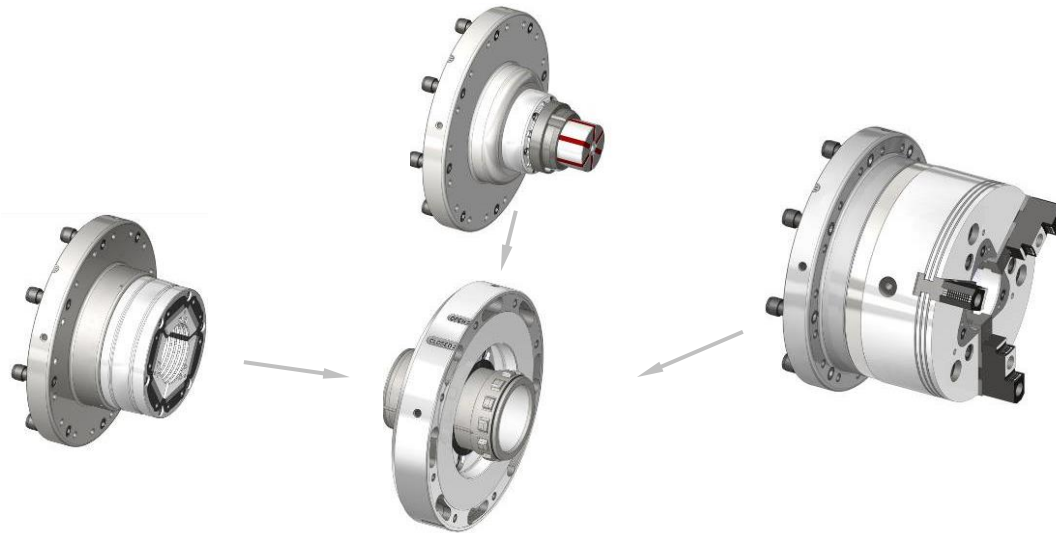
Clamping device storage container:

- Clean, orderly and mobile
- Preserves precision



Change-over vision

Standardized clamping systems in the workshop:

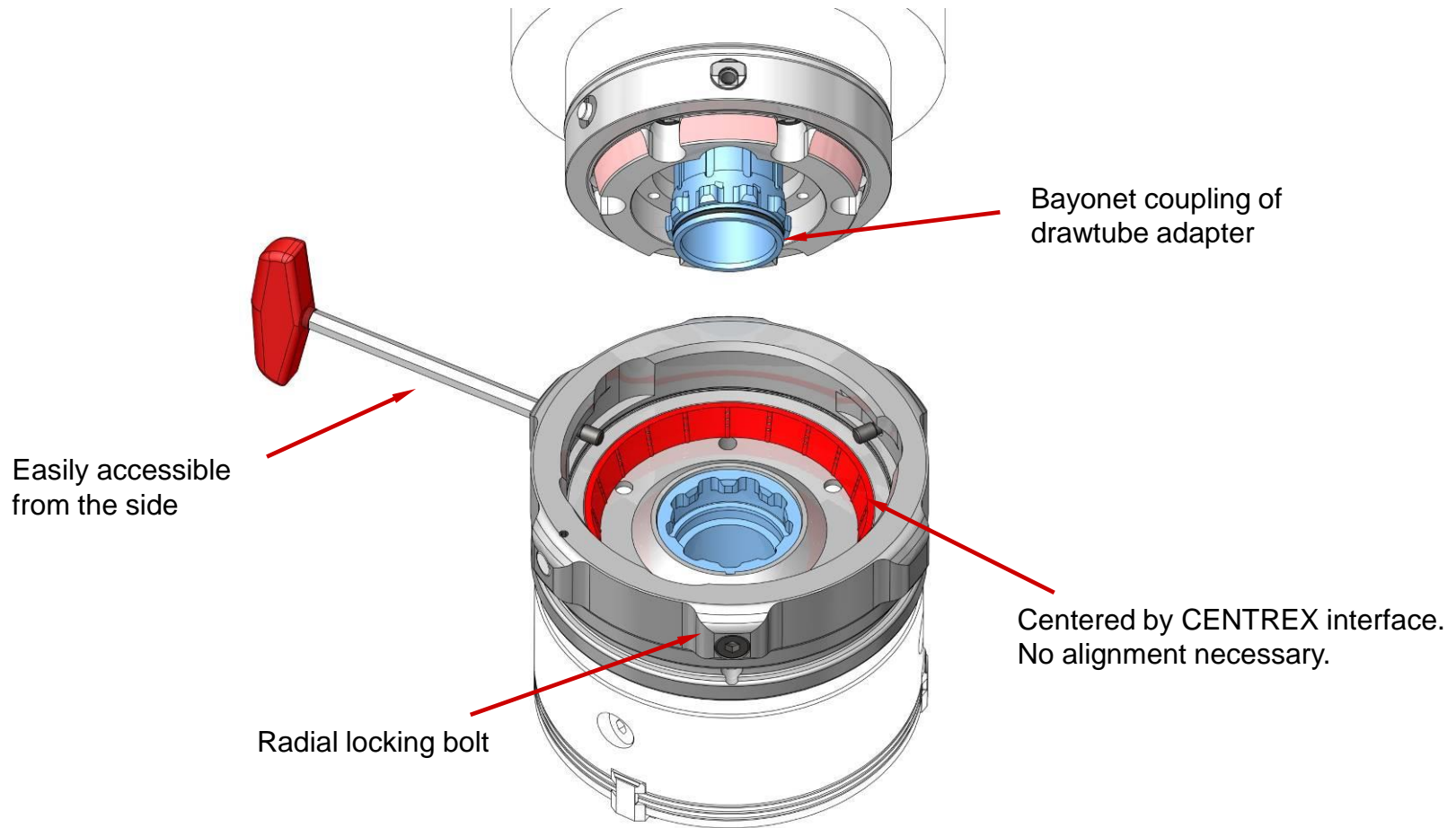


Application:
Turning, grinding
measuring,
machine group...

CentroteX quick-change system

Variant for vertical machine spindles:

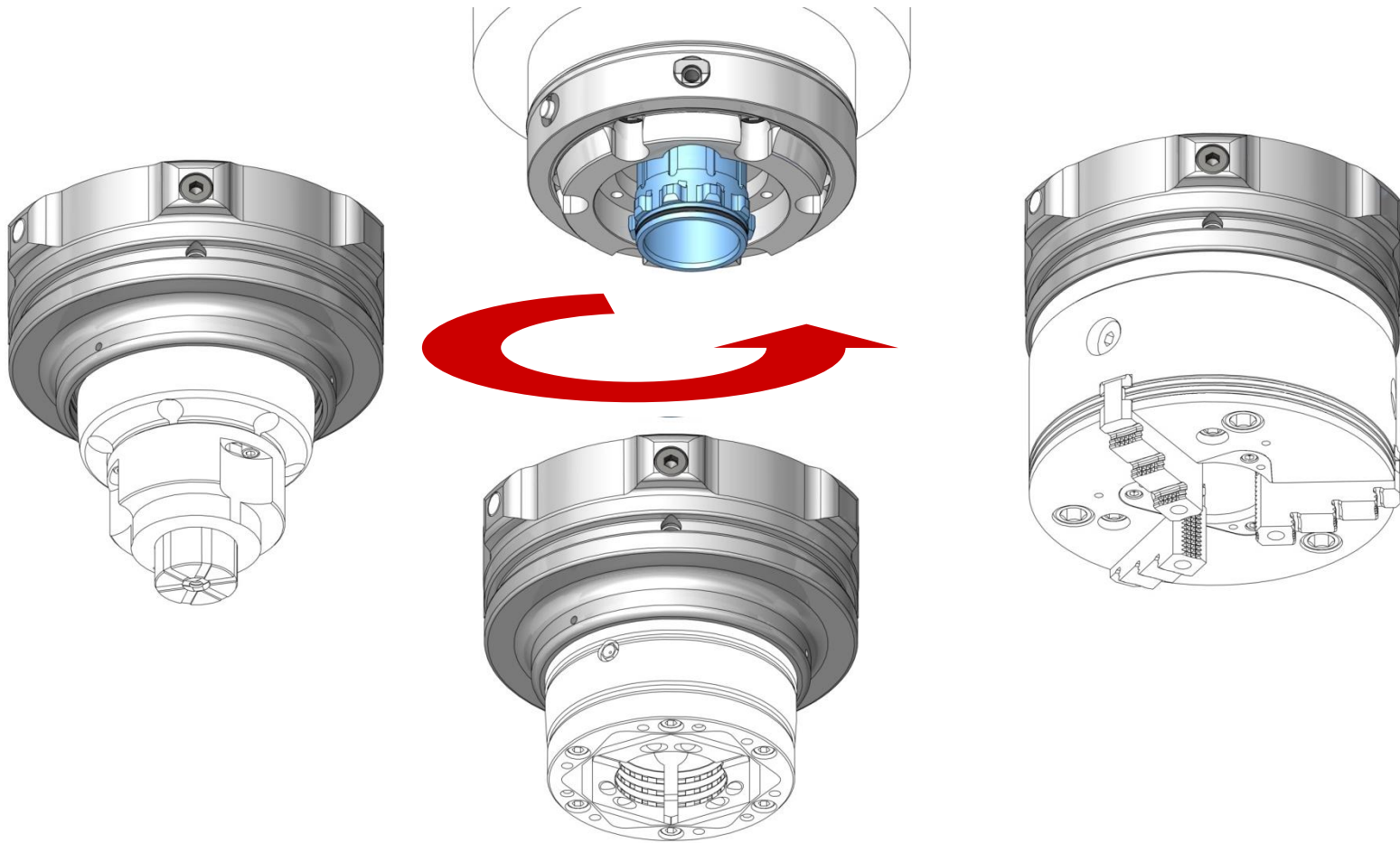
■ centroteX V



CentroteX quick-change system

Full flexibility:

- Also for vertical machine spindles



And what can we do for you?