

End-stop accessory

versatile systems and time-saving blanks

End-stop accessory

Focus on the essential – the workpiece:

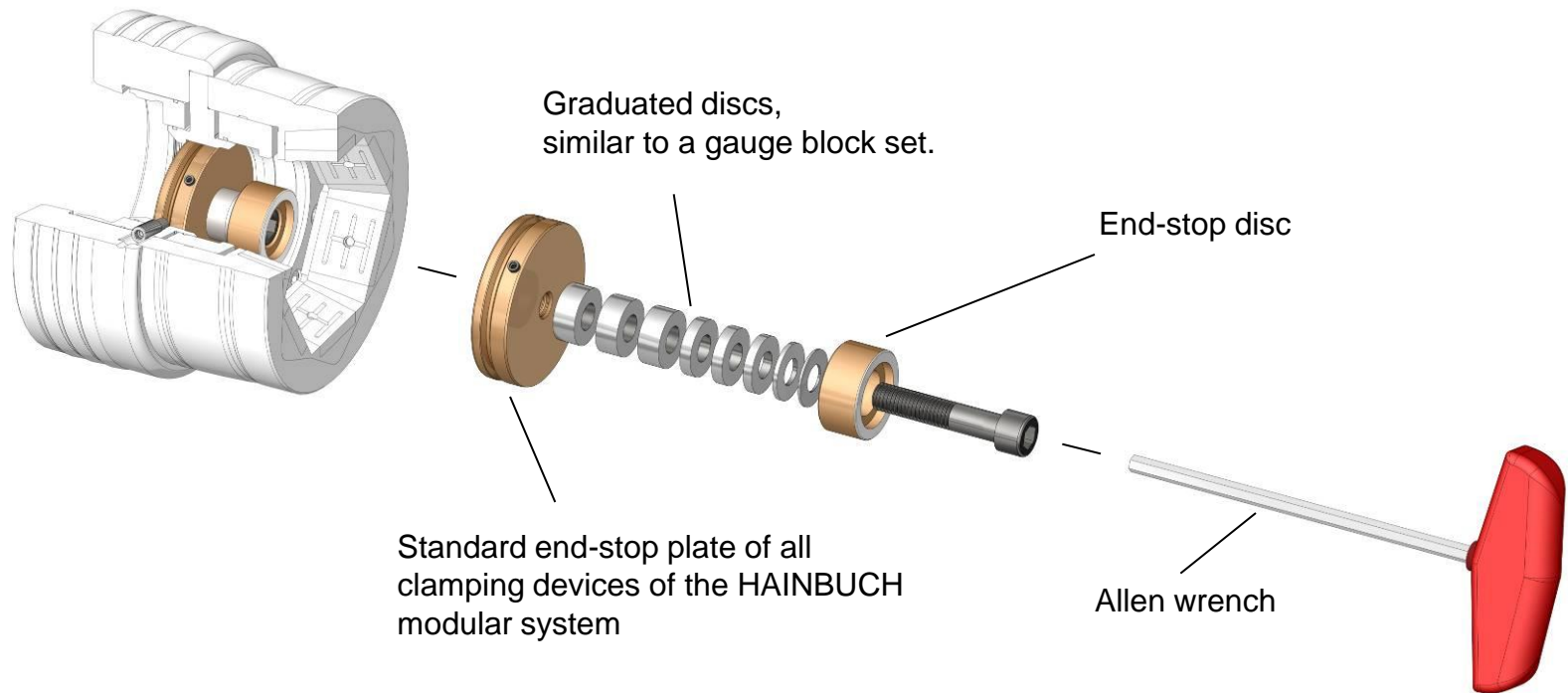
- Versatile systems cover a range of diameters
- Less time needed for work preparation



End-stop accessory

End-stop system »vario part«:

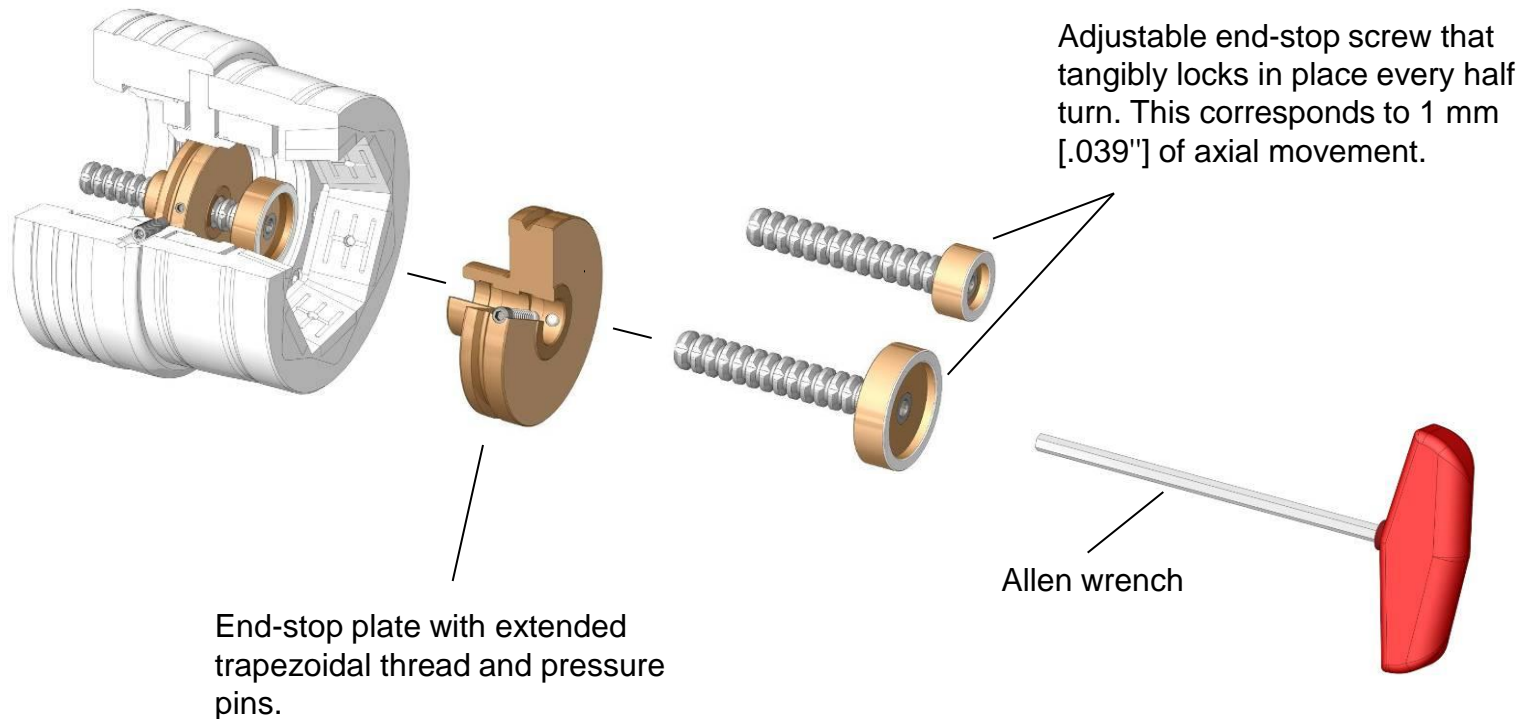
- Fitting the complete HAINBUCH modular system



End-stop accessory

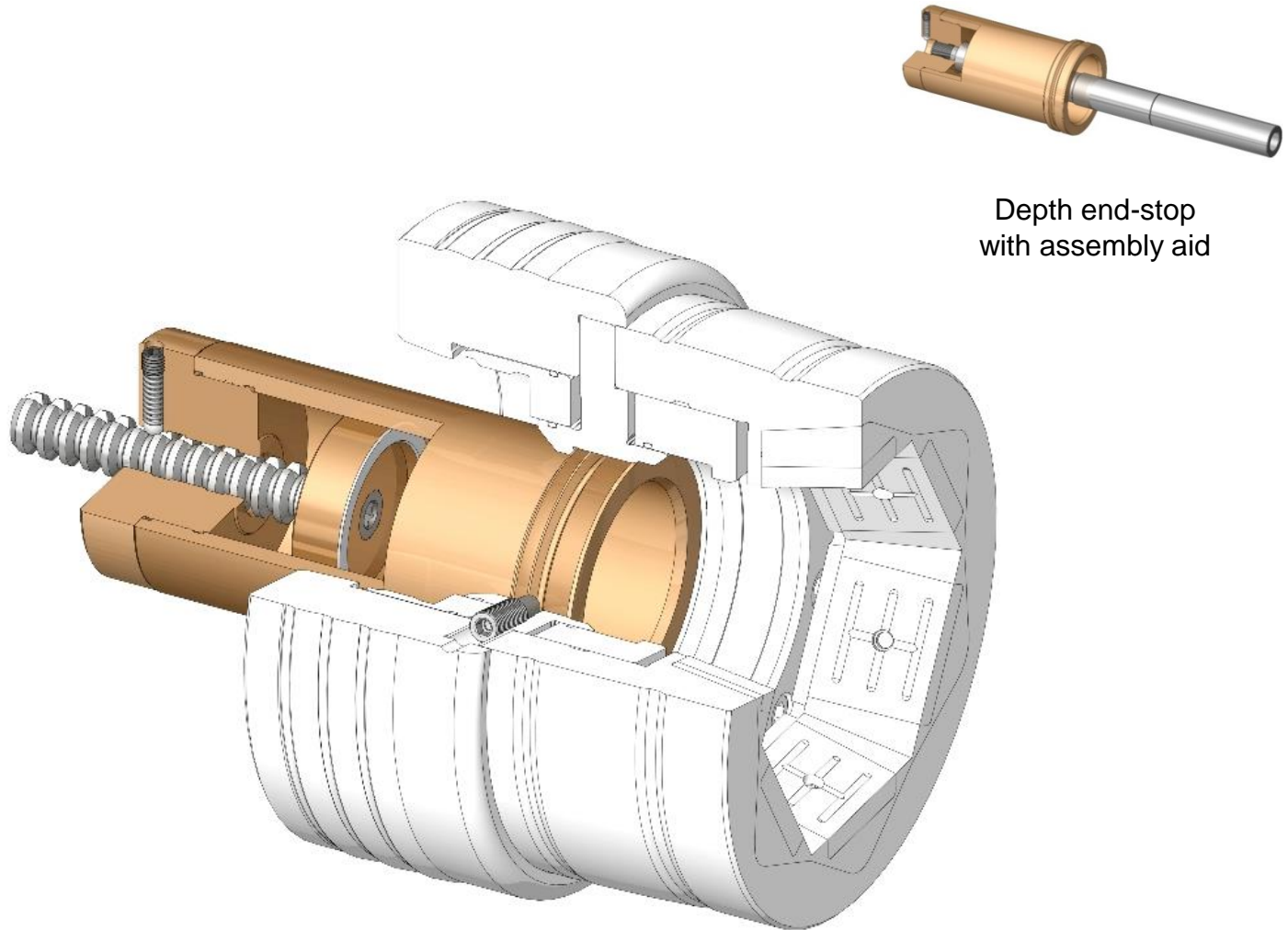
End-stop system »vario quick«:

- Fitting the complete HAINBUCH modular system



End-stop accessory

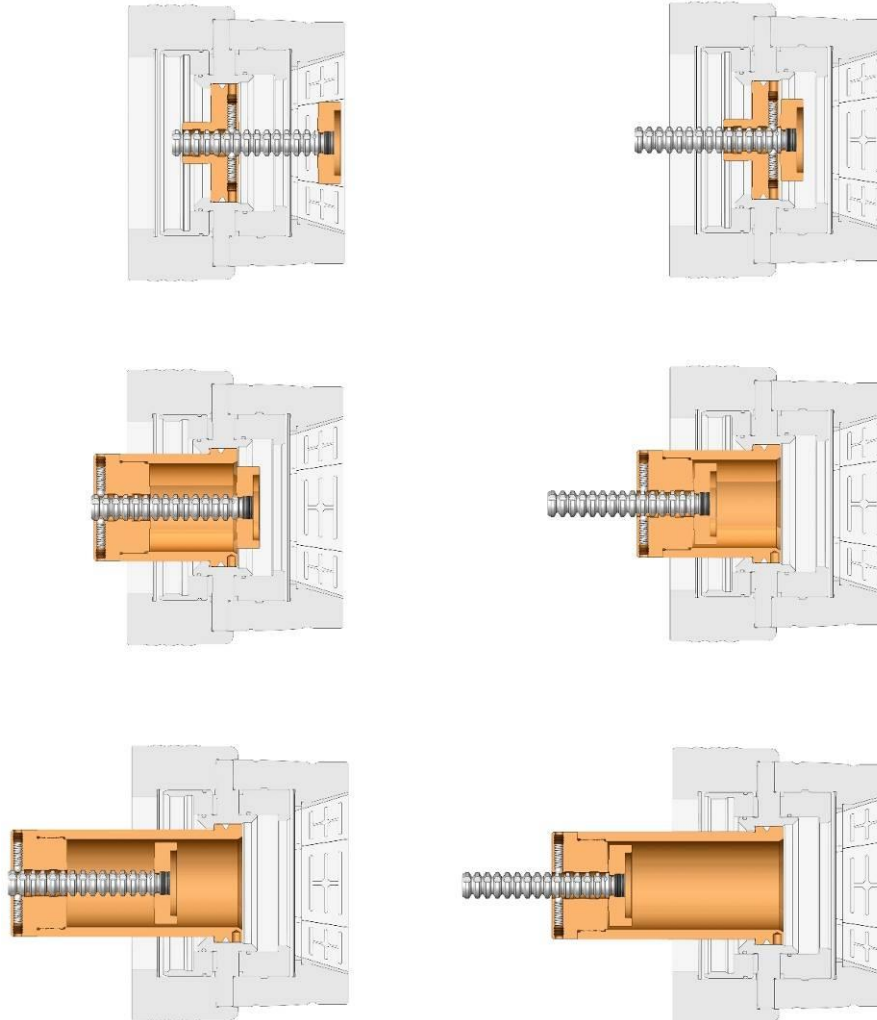
Depth end-stops :



Depth end-stop
with assembly aid

End-stop accessory

Overview of different end-stop depths:



End-stop accessory

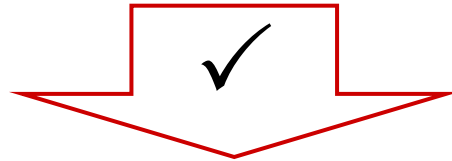
Ejector with gas spring :

- For HAINBUCH chucks size 65
- 40N ejection force
- Dampened ejection
- Also with flushing



End-stop accessory

All-purpose modular system:



TOROK



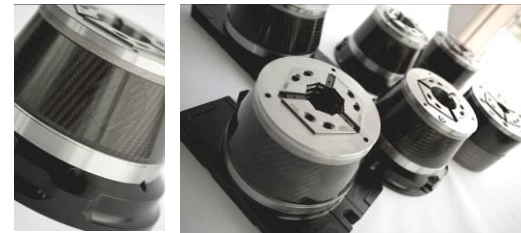
MANOK plus



TOPlus



SPANNTOP nova

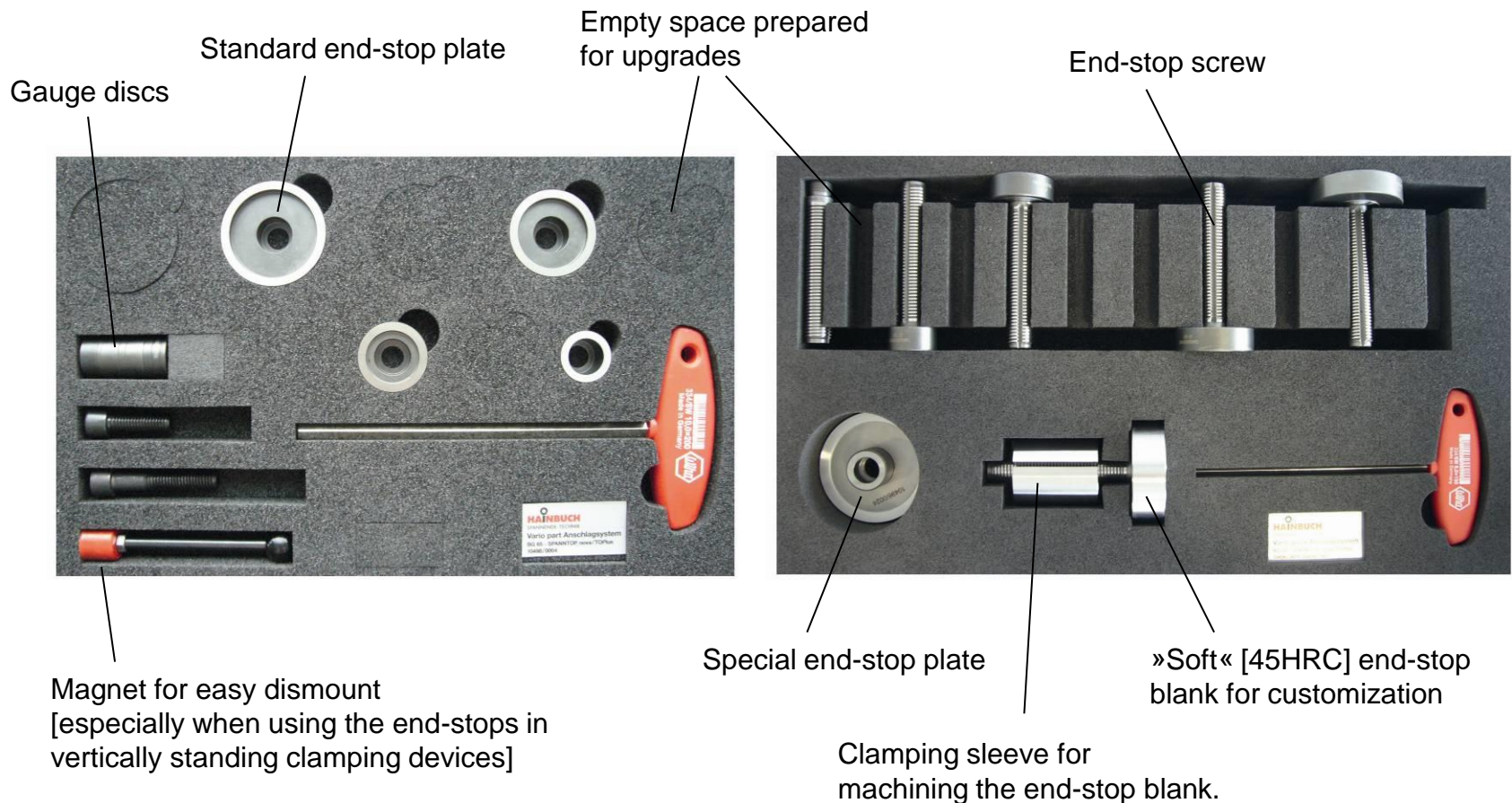


Lightweight workholding

End-stop accessory

Quickly at hand:

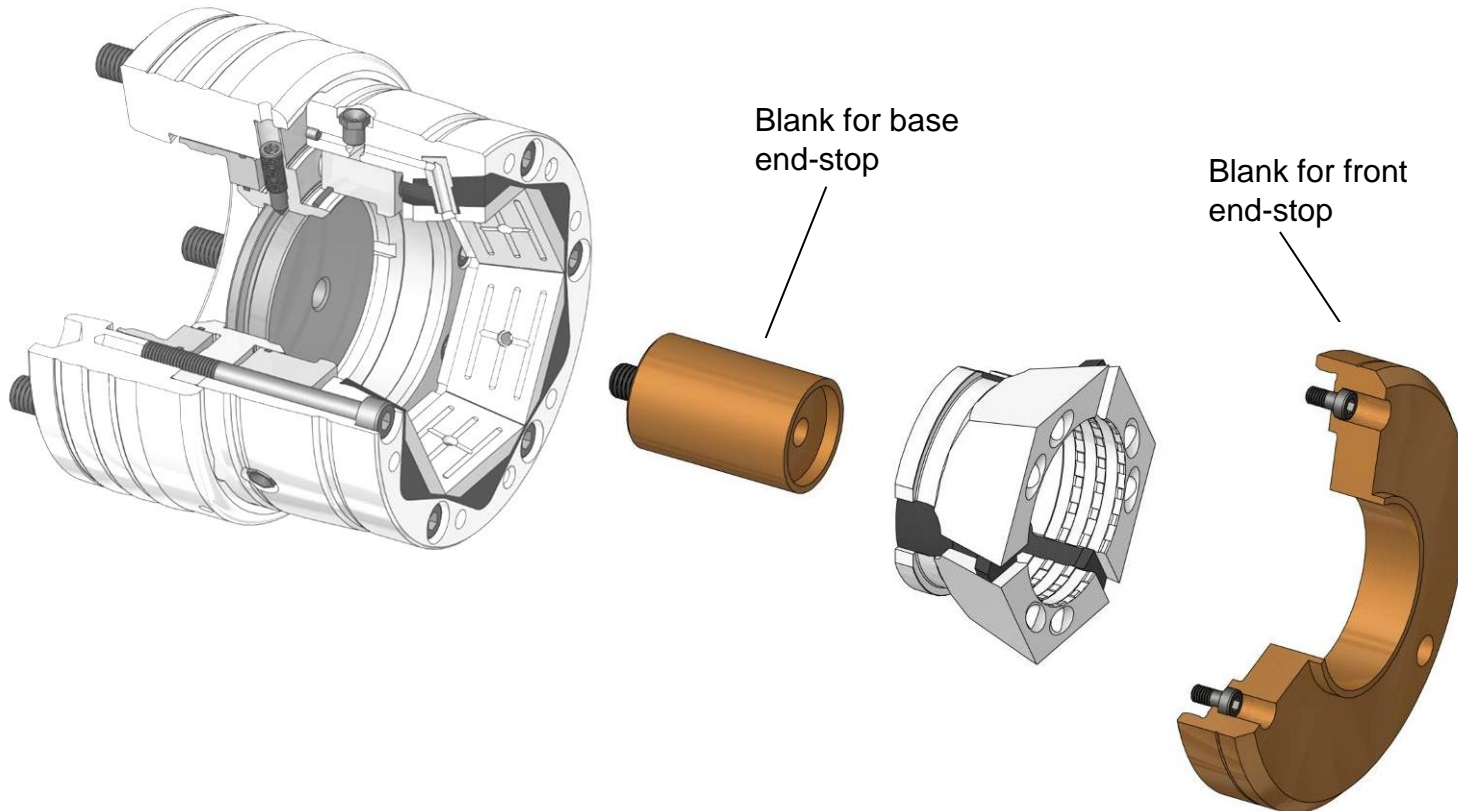
- Clean, orderly and fitting nearly all drawers



End-stop accessory

Blanks for OD clamping:

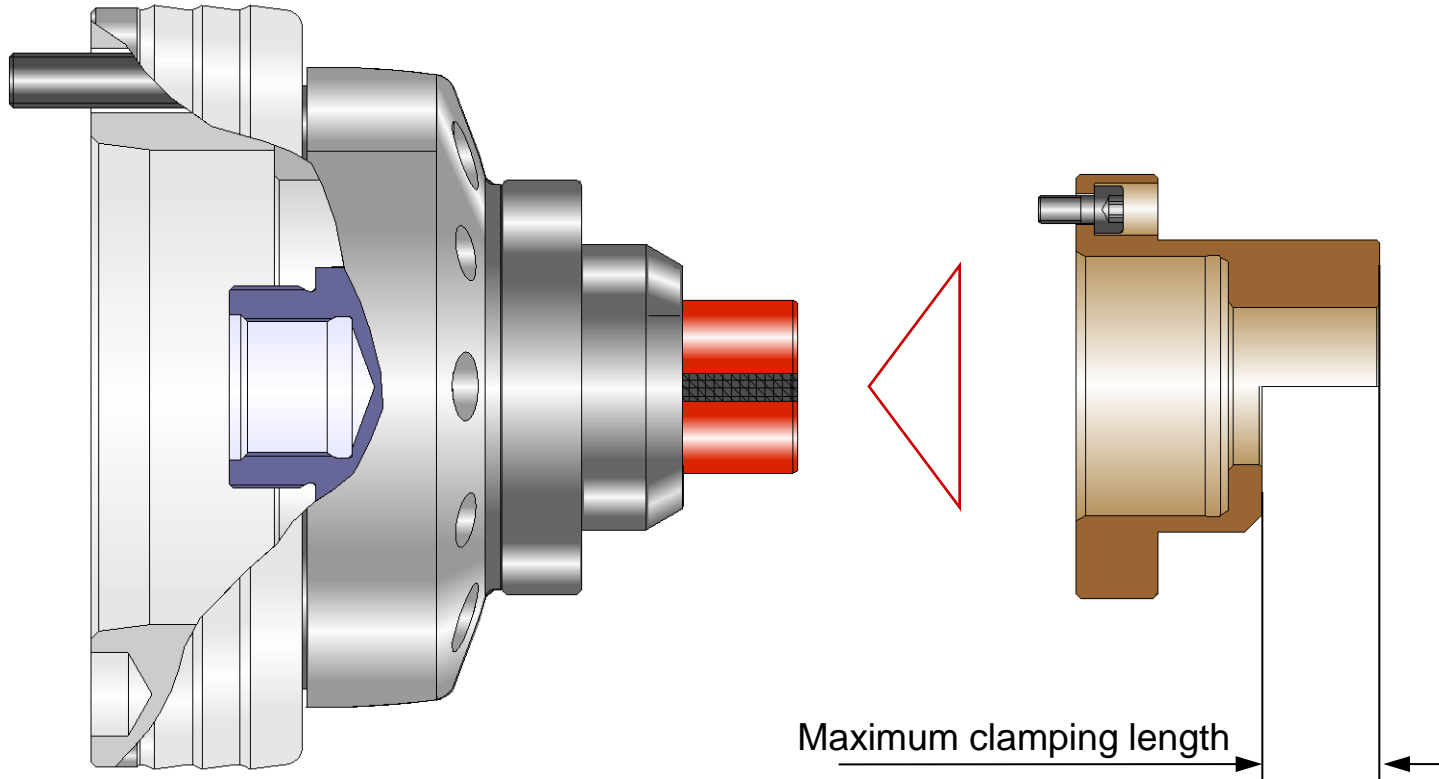
- Customizable [45 HRC]



End-stop accessory

Blanks for ID clamping :

- Customizable [45 HRC]



And what can we do for you?