

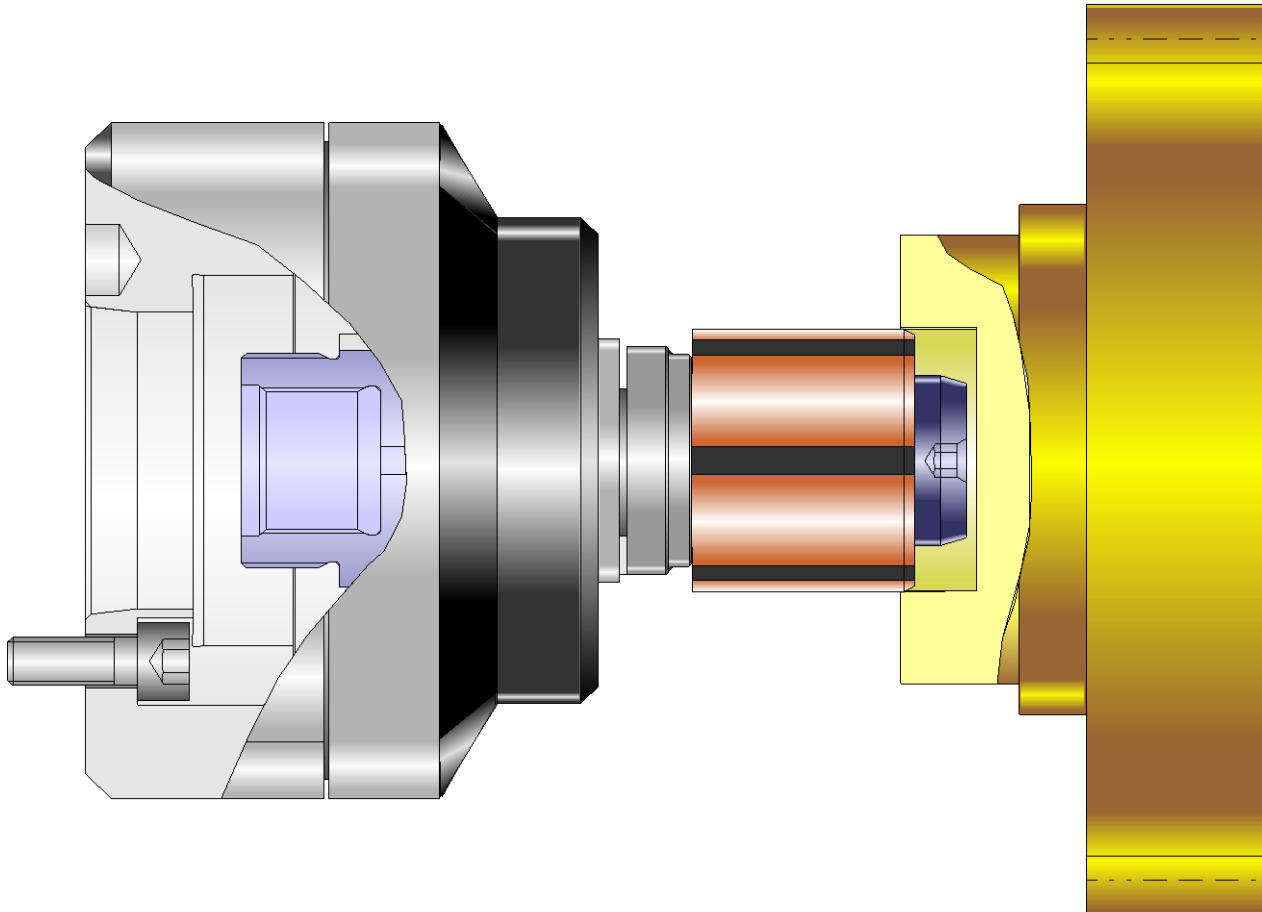
MANDO T212

mandrel without draw bolt

Mandrel MANDO T212

The situation with blind holes:

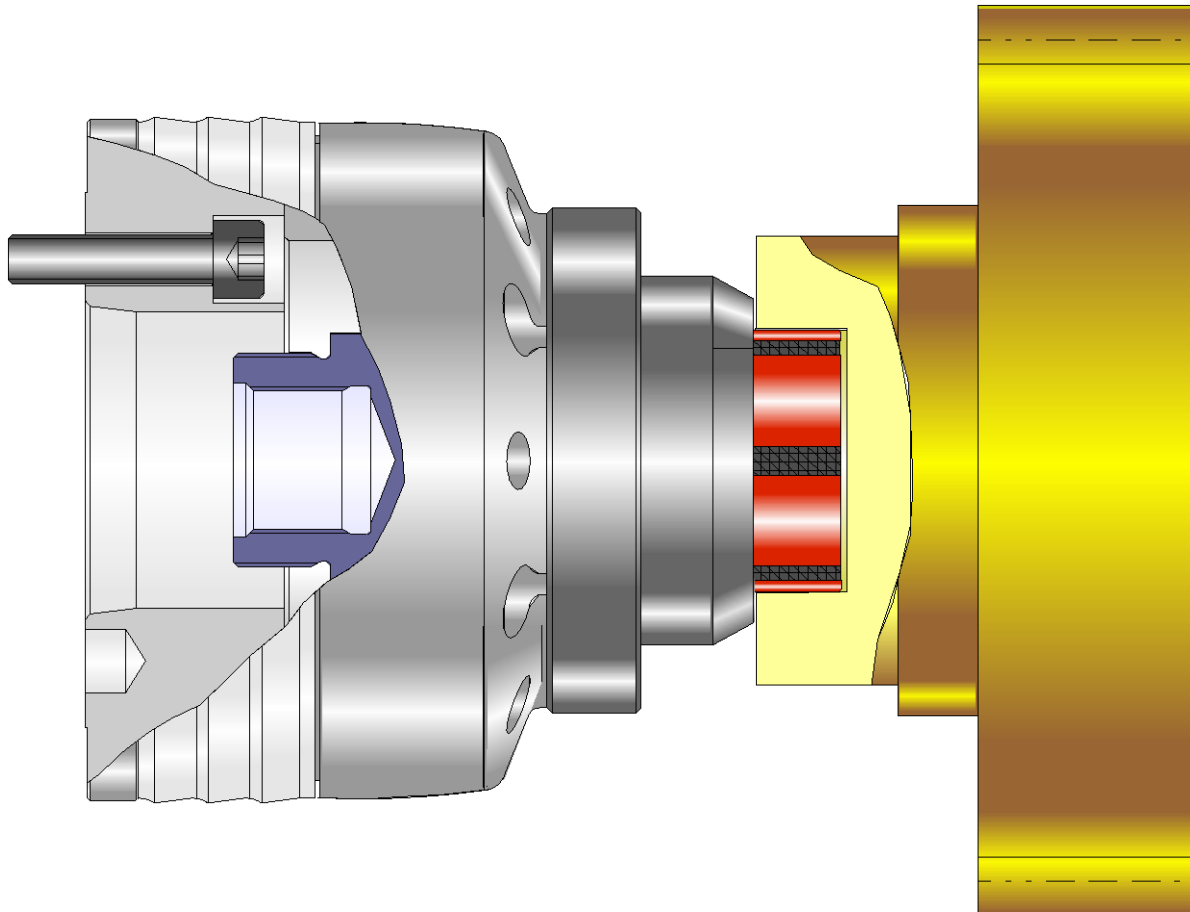
- The draw bolt costs clamping length



Mandrel MANDO T212

Perfect for short clamping lengths:

- Depth of bore almost equal to clamping length



Mandrel MANDO T212

Ideal clamping of inner diameters:

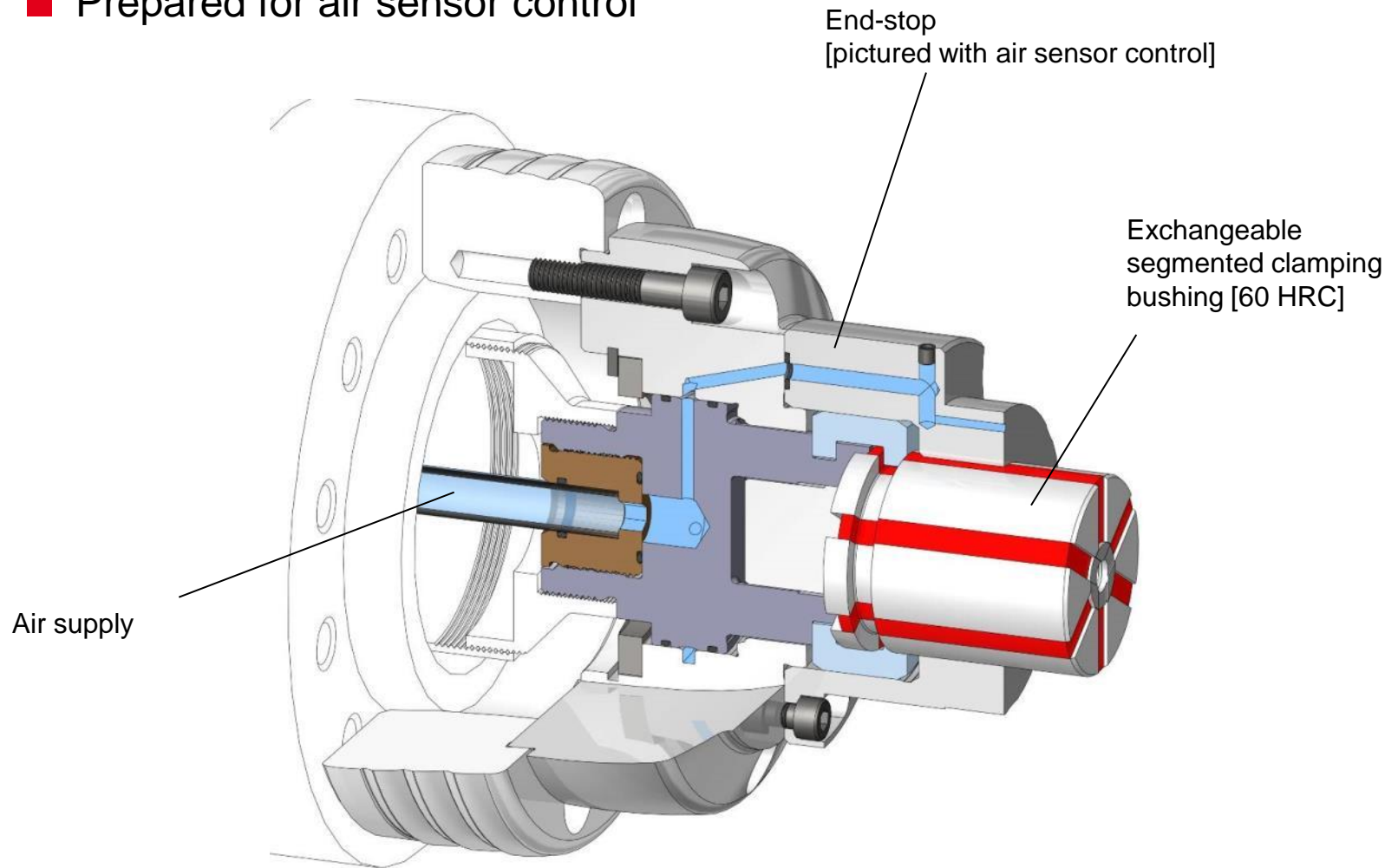
- Vibration dampening an enormous clamping force
- Large stroke makes automatic loading easy
- Pull-back clamping



Mandrel MANDO T212

Details:

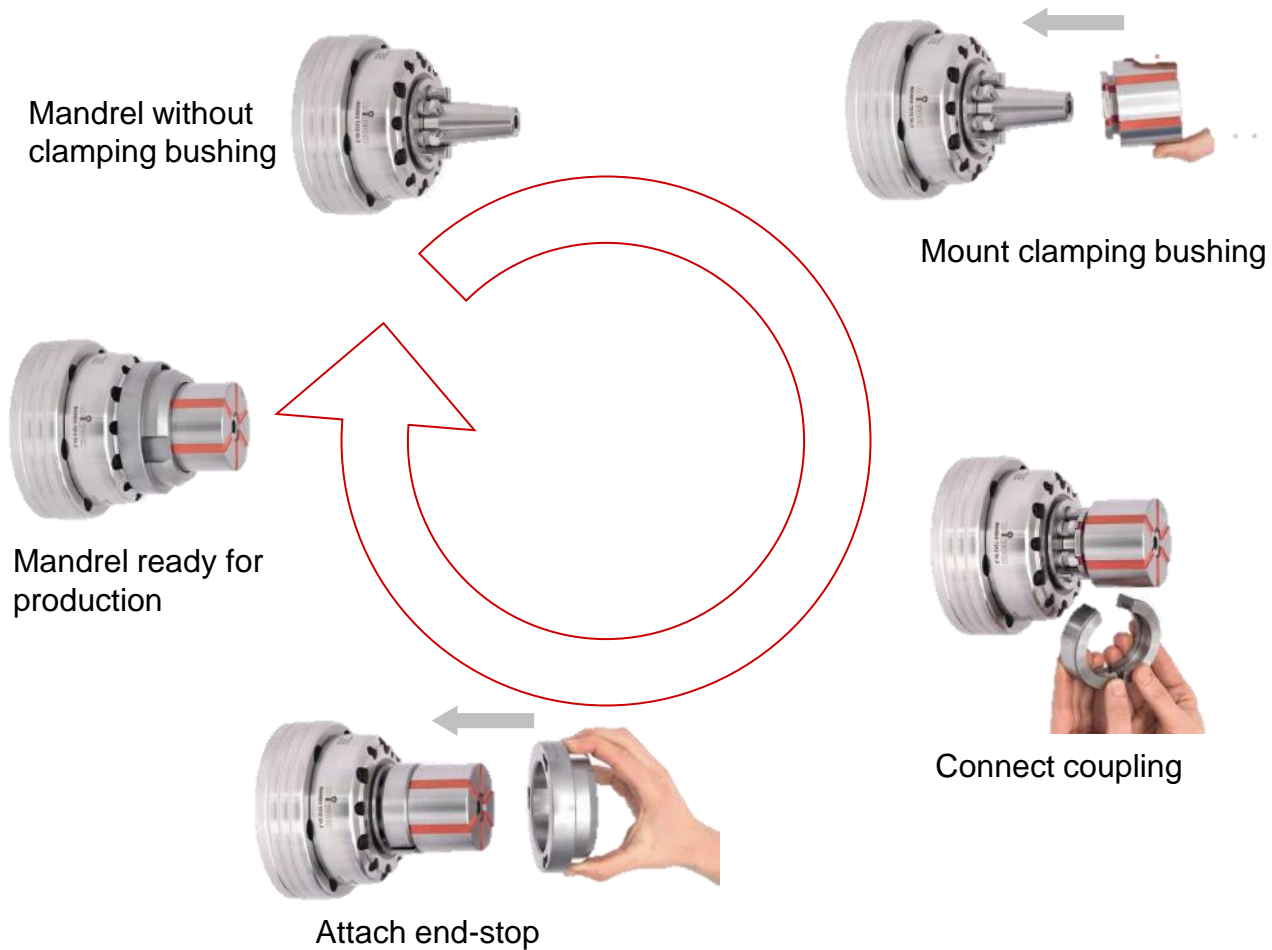
- Prepared for air sensor control



Mandrel MANDO T212

Easy change-over:

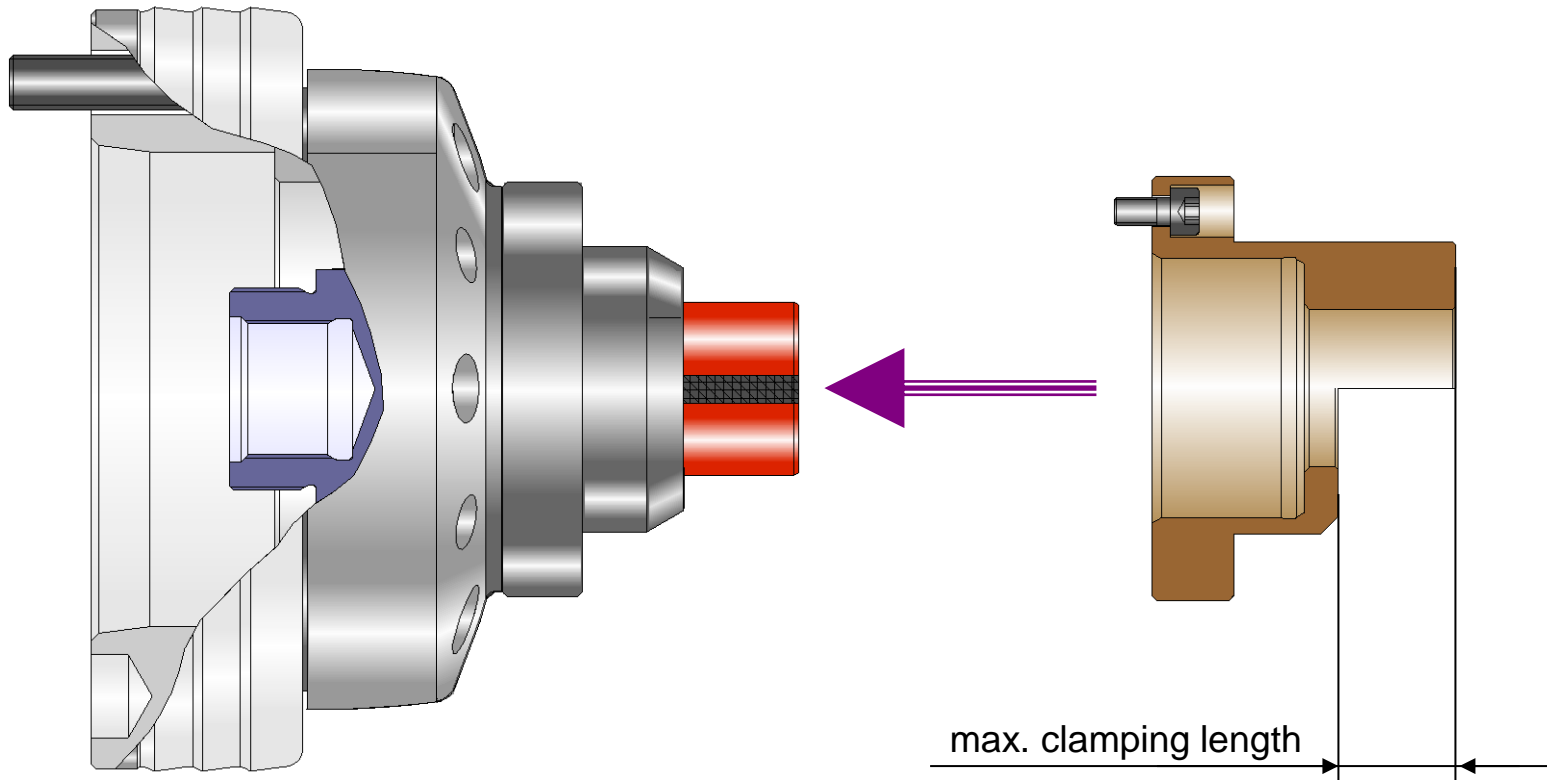
- In less than 2 minutes...



Accessory

End-stop blanks:

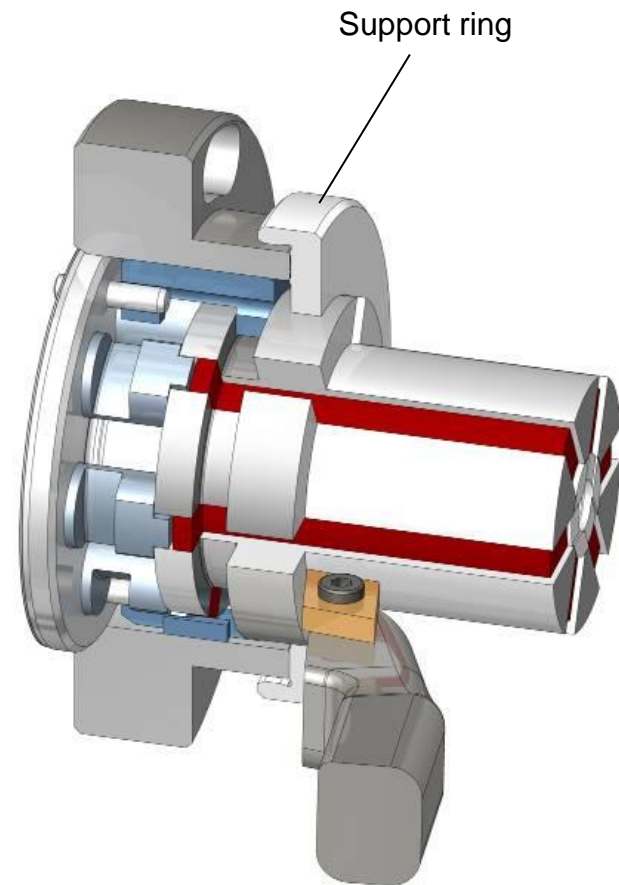
- »Soft« [45 HRC] for customization



Accessory

»Soft« segmented clamping bushing:

- SAD bushing [50HRC] for customization
- React quickly on custom sizes
- Concentricity = machine accuracy



Mandrel MANDO T212

Starting from \varnothing 8 mm [0,31 in]:



Mandrel MANDO T212

Full flexibility – also for stationary applications:



MANDO T212 mandrel on
ms dock
[manual actuation]

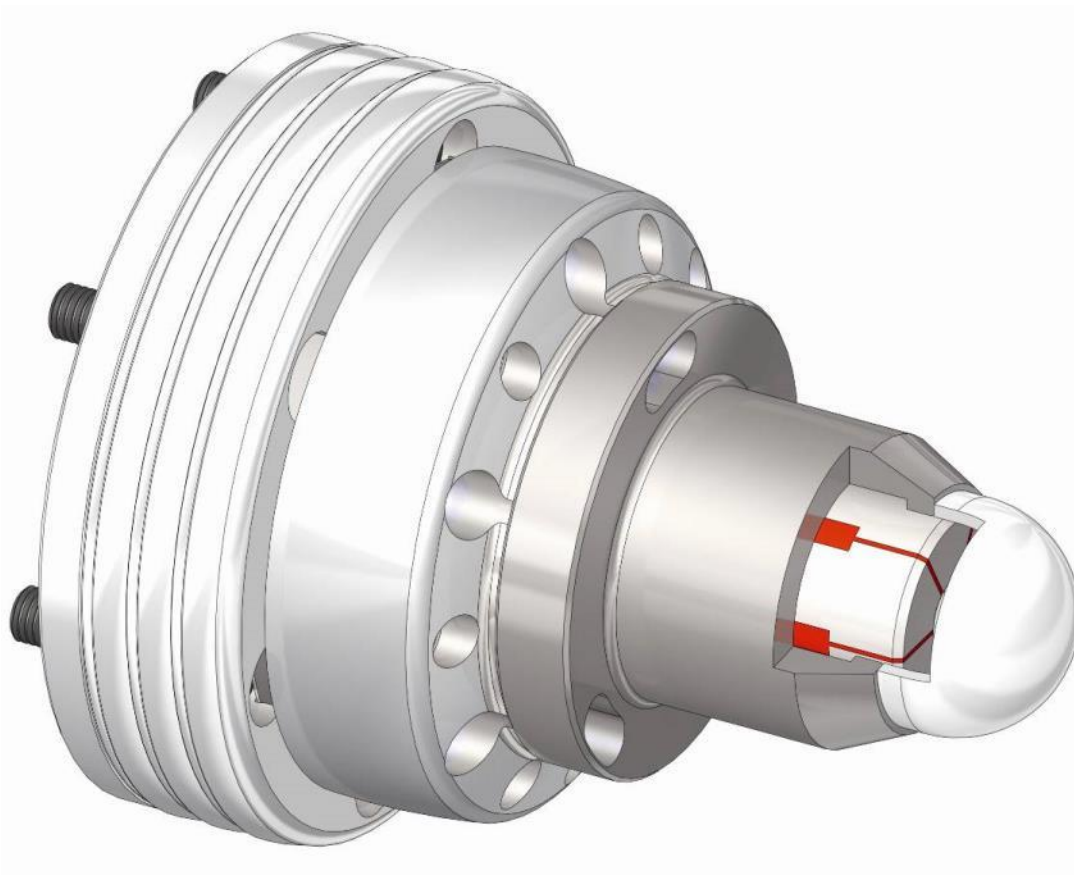


MANDO T212 mandrel on
hs dock
[hydraulic actuation]

Mandrel MANDO T212

Many special solutions possible:

- Example: medical engineering application – clamping of hip sockets without any pressure markings



And what can we do for you?