



# mini chucks

minimal dimensions - no compromises

# TOPlus mini

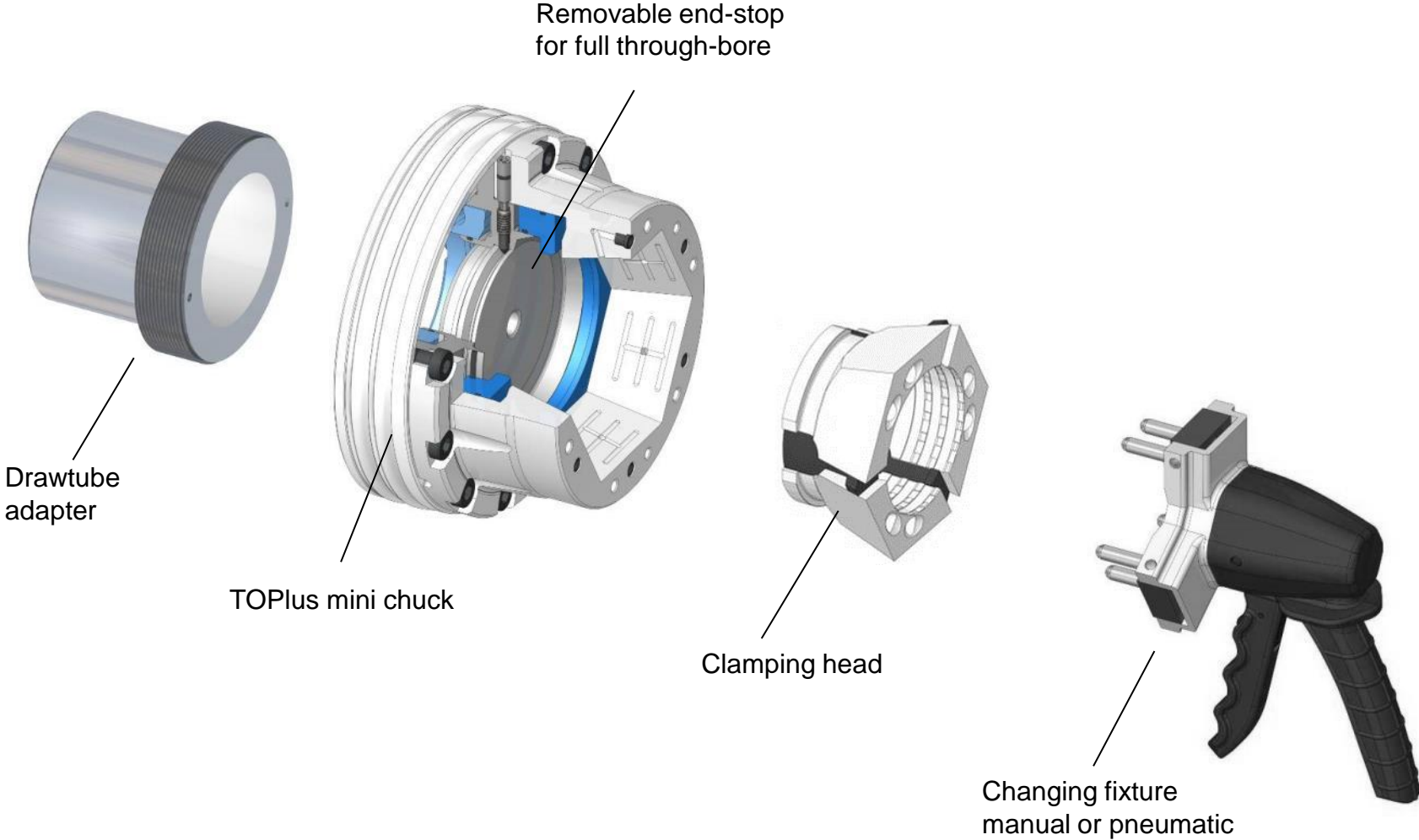
Ideal for small work spaces:

- Very small interference contour
- Good tool accessibility
- Little mass, more dynamic
- Less energy consumption
- Shorter cycle time



# TOPlus mini

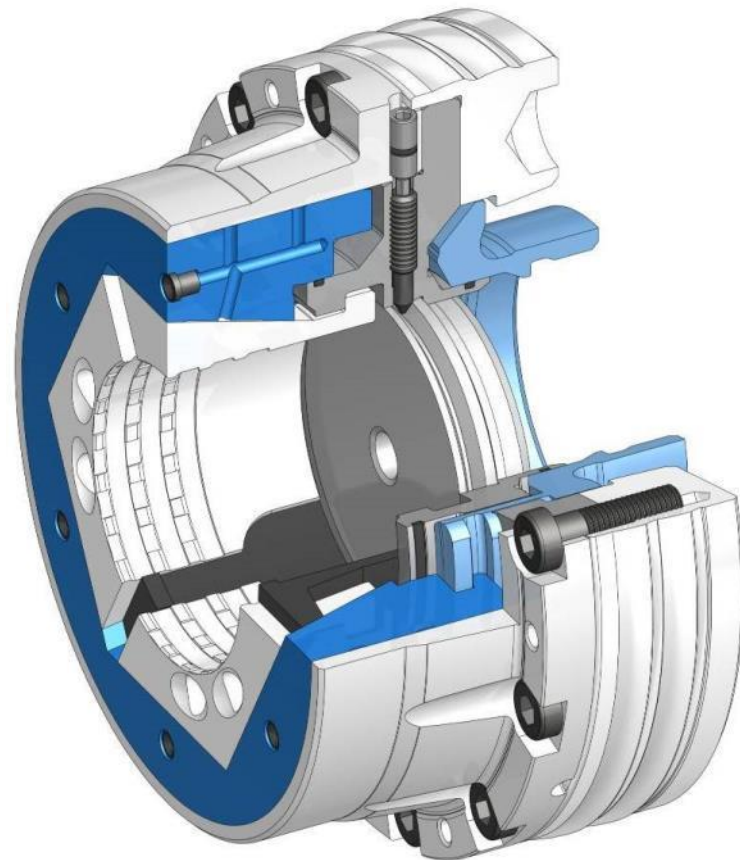
## Build-up:



# TOPlus mini

Perfect for the sub spindle – the deadlength variant:

- Only radial clamping
- Perfect for gripping short lengths
- Removable end-stop



# Comparison

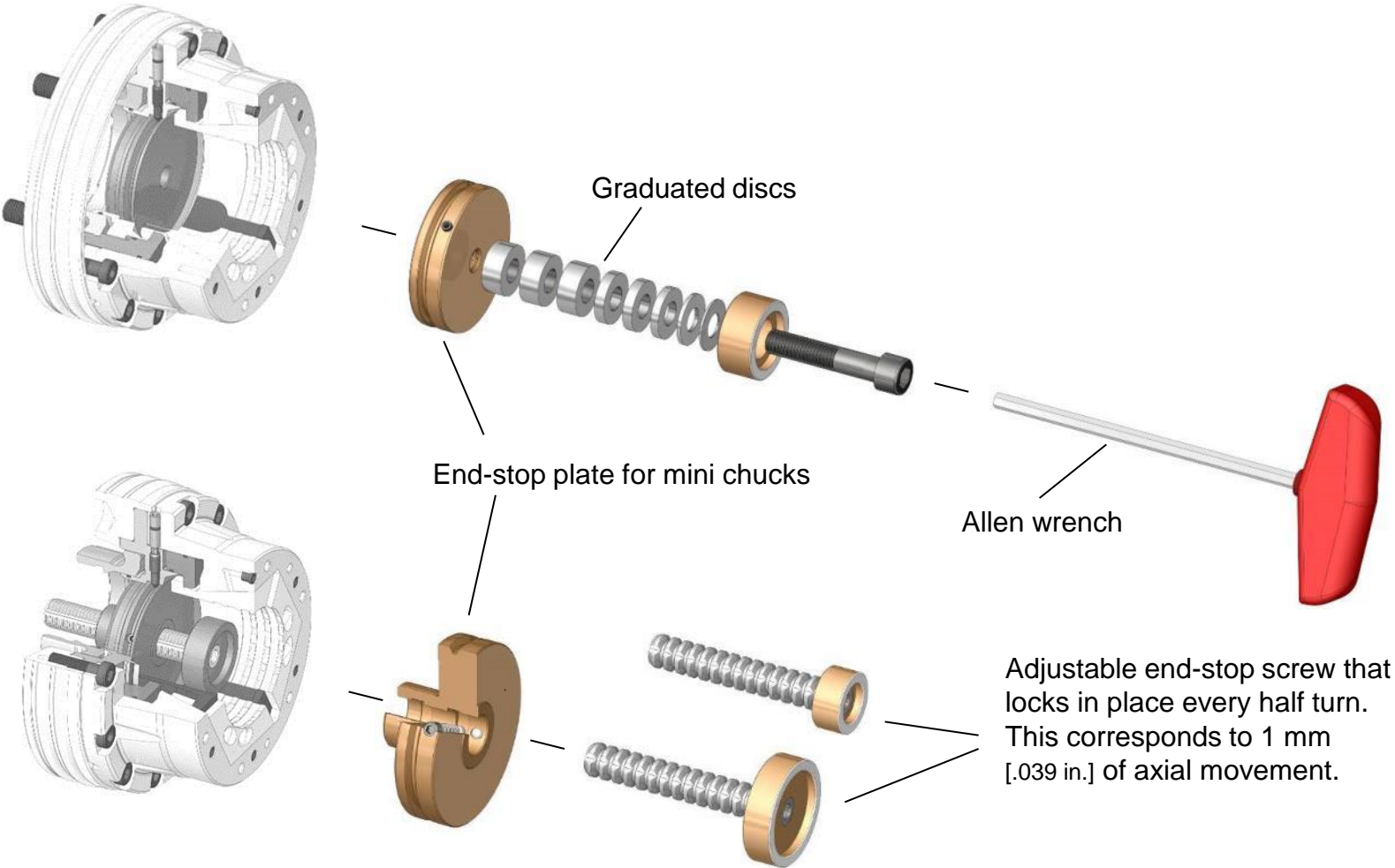
Mini und standard chuck:



TOPlus Combi Deadlength with flange A2-6

# Accessory

## Adjustable end-stop systems:



And what can we do for you?