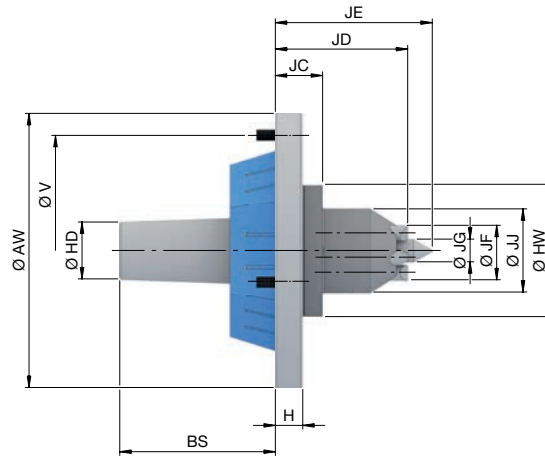




ADAPTATION CLAMPING DEVICES

Face driver / morse taper adaptation

Face driver adaptation SE. Technical data and order overview



Product line	SE											
Size	52		65		100							
Suitable for	TOPlus mini / premium	all except TOPlus mini / premium	TOPlus mini / premium	all except TOPlus mini / premium	TOPlus mini / premium	all except TOPlus mini / premium						
Run-out ≤ [mm]			0,010									
RPM n max. [1/min.]	7000		6000		5000							
Length [mm]	H		14,5									
Length 2 [mm]	BS		82,3		83,3							
Length 3 [mm]	JC		25									
Length 4 [mm]	JD		70		81,5							
Length 5 [mm]	JE		83		101							
Outer Ø [mm]	AW	119	125	129	145	183	215					
Outer Ø 2 [mm]	HD			30								
Outer Ø 3 [mm]	HW	52		70		86						
Outer Ø 4 [mm]	JJ	29		44		60						
Driving pin-Ø	JF	20		31		45						
Center-Ø	JG	6		12		20						
Bolt hole circle	V	LK Ø 105 [3 x M8]	LK Ø 107 [3 x M6]	LK Ø 112 [3 x M8]	LK Ø 126 [3 x M6]	LK Ø 160 [3 x M8]	LK Ø 180 [3 x M8]					
Weight [kg]	2,3		3,6		7,7							
In stock	-		✓		-		✓					
Material no.	10000993		10000603		10000994		10000604		10000995		10000605	

Mounting precision for rotating clamping devices: Run-out ≤ 0.005 mm between chuck and adaptation clamping device. Run-out errors on the chuck must also be taken into consideration. Mounting repeatability for stationary clamping devices: ≤ 0.003 mm on the adaptation clamping device.

Adaptation clamping devices

Measuring technology / Automation

Quick change-over systems

Special solutions

Clamping elements / Accessories

Services

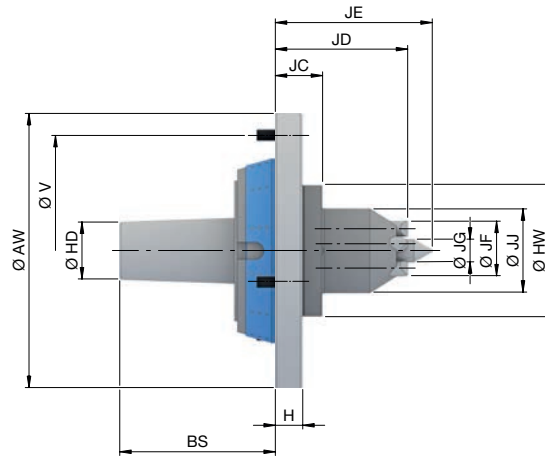
Multi spindles



ADAPTATION CLAMPING DEVICES

Face driver / morse taper adaptation

Face driver adaptation RD. Technical data and order overview



Product line	RD				
Size	42/52	65	80	100	
Run-out ≤ [mm]	0,010				
RPM n max. [1/min.]	7000	6000	5500	5000	
Length [mm]	H	14,5			
Length 2 [mm]	BS	69,3	82,3	83,3	
Length 3 [mm]	JC	25			
Length 4 [mm]	JD	56	70	81,5	
Length 5 [mm]	JE	63,5	83	101	
Outer Ø [mm]	AW	125	145	160	215
Outer Ø 2 [mm]	HD	30			
Outer Ø 3 [mm]	HW	52	70	86	
Outer Ø 4 [mm]	JJ	29	44	60	
Driving pin-Ø	JF	20	31	45	
Center-Ø	JG	6	12	20	
Bolt hole circle	V	LK Ø 107 [3 x M6]	LK Ø 126 [3 x M6]	LK Ø 139 [3 x M6]	LK Ø 180 [3 x M8]
Weight [kg]		2,4	3,4	4,6	6
In stock		✓	✓	✓	✓
Material no.		10000606	10000608	10000609	10000610

Mounting precision for rotating clamping devices: Run-out ≤ 0.005 mm between chuck and adaptation clamping device. Run-out errors on the chuck must also be taken into consideration. Mounting repeatability for stationary clamping devices: ≤ 0.003 mm on the adaptation clamping device.



Adaptation clamping devices

Measuring technology/ Automation

Quick change-over systems

Special solutions

Clamping elements/ Accessories

Services

Multi spindles