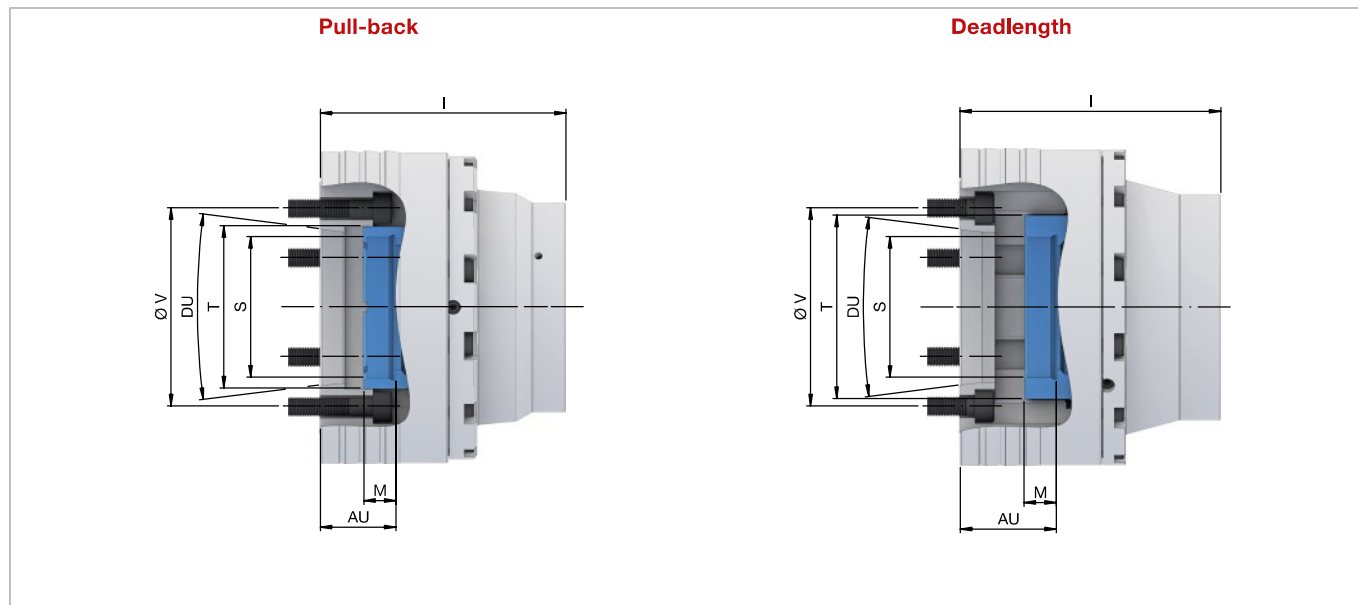


SPINDLE CONNECTION DATA

SPANNTOP mini chuck

SPANNTOP mini. Spindle connection data



Size	32					
Variant	Pull-back					
Spindle nose	DU	KK4		KK5		KK6
Total length [mm]	I	117		140		117
Depth of thread [mm]	M			15		
Connecting thread inside	S	M54 x 1,5		M72 x 1,5		
Position in clamped position [mm]	AU	34		57		34
Bolt hole circle	V	LK Ø 82,6 [6 x M10]		LK Ø 104,8 [6 x M10]		LK Ø 133,4 [6 x M12]
Material		10000850		10000851		10000852

Size	32					
Variant	Deadlength					
Spindle nose	DU	KK4		KK5		KK6
Total length [mm]	I	112	122	114	122	142
Depth of thread [mm]	M			15		115
Connecting thread inside	S			M58 x 1,5		
Position in clamped position [mm]	AU	31,5	41,5	33,5	41,5	61,5
Bolt hole circle	V	LK Ø 82,6 [6 x M10]		LK Ø 104,8 [6 x M10]		LK Ø 133,4 [6 x M12]
Material		10000910	10000911	10000912	10000913	10000914

Size	32	
Variant	Deadlength	
Spindle nose	DU	AP140
Total length [mm]	I	101
Depth of thread [mm]	M	15
Connecting thread inside	S	M58 x 1,5
Position in clamped position [mm]	AU	20,5
Bolt hole circle	V	LK Ø 104,8 [6 x M10]
Material		10000968

Size	42					
Variant	Pull-back					
Spindle nose	DU	KK4		KK5		KK6
Total length [mm]	I	122	114	122	140	122
Depth of thread [mm]	M			15		140
Connecting thread inside	S	M72 x 1,5		M84 x 1,5		
Position in clamped position [mm]	AU	40	32	40	58	38
Bolt hole circle	V	LK Ø 82,6 [6 x M10]		LK Ø 104,8 [6 x M10]		LK Ø 133,4 [6 x M12]
Material		10000853	10000854	10000855	10000856	10000857

SPINDLE CONNECTION DATA

SPANNTOP mini chuck

Size	42					
Variant	Pull-back					
Spindle nose	DU	AP120		AP140		AP170
Total length [mm]	I	102	115	102	115	102
Depth of thread [mm]	M	15				
Connecting thread inside	S	M72 x 1,5		M62 x 1,5		M76 x 1,5
Connecting thread outside	T			M72 x 1,5		M62 x 1,5
Position in clamped position [mm]	AU	20	33	20	33	20
Bolt hole circle	V	LK Ø 104,8 [6 x M10]				LK Ø 133,4 [6 x M12]
Material		10000859	10000860	10000861	10000862	10000901

Size	42					
Variant	Deadlength					
Spindle nose	DU	KK4	KK5		KK6	
Total length [mm]	I	125	118	125	142	142
Depth of thread [mm]	M	15				124
Connecting thread inside	S	M72 x 1,5				M62 x 1,5
Connecting thread outside	T					M72 x 1,5
Position in clamped position [mm]	AU	38	33	40	57	57
Bolt hole circle	V	LK Ø 82,6 [6 x M10]	LK Ø 104,8 [6 x M10]			LK Ø 133,4 [6 x M12]
Material		10000951	10000915	10000916	10000917	10000918

Size	42					
Variant	Deadlength					
Spindle nose	DU	AP110	AP120		AP140	
Total length [mm]	I	105				117
Depth of thread [mm]	M	15				
Connecting thread inside	S	M72 x 1,5		M62 x 1,5		
Connecting thread outside	T					M72 x 1,5
Position in clamped position [mm]	AU	20			32	
Bolt hole circle	V	LK Ø 95 [6 x M8]	LK Ø 104,8 [6 x M10]			
Material		10000952	10000966	10000920	10000921	

Size	52					
Variant	Pull-back					
Spindle nose	DU	KK5		KK6		KK8
Total length [mm]	I	122	145	122	145	145
Depth of thread [mm]	M	15				120
Connecting thread inside	S	M72 x 1,5		M90 x 1,5		M72 x 1,5
Connecting thread outside	T					M82 x 1,5
Position in clamped position [mm]	AU	37	60	37	60	60
Bolt hole circle	V	LK Ø 104,8 [6 x M10]		LK Ø 133,4 [6 x M12]		LK Ø 171,4 [6 x M16]
Material		10000864	10000865	10000866	10000867	10000895

Size	52					
Variant	Pull-back					
Spindle nose	DU	AP110	AP120		AP140	
Total length [mm]	I	120	105	115	105	115
Depth of thread [mm]	M	15				
Connecting thread inside	S	M72 x 1,5				M62 x 1,5
Connecting thread outside	T					M72 x 1,5
Position in clamped position [mm]	AU	35	20	30	20	30
Bolt hole circle	V	LK Ø 95 [6 x M8]	LK Ø 104,8 [6 x M10]			
Material		10000891	10000887	10000888	10000889	10000890

Size	52					
Variant	Deadlength					
Spindle nose	DU	KK4	KK5		KK6	
Total length [mm]	I	122	147	122	147	120
Depth of thread [mm]	M	15				
Connecting thread inside	S	M72 x 1,5				
Connecting thread outside	T					M82 x 1,5
Position in clamped position [mm]	AU	38	63	38	63	36
Bolt hole circle	V	LK Ø 82,6 [6 x M10]	LK Ø 104,8 [6 x M10]		LK Ø 133,4 [6 x M12]	LK Ø 171,4 [6 x M16]
Material		10000922	10000923	10000924	10000925	10000926

SPINDLE CONNECTION DATA

SPANNTOP mini chuck

Size	52					
Variant	Deadlength					
Spindle nose	DU	AP110		AP120		AP140
Total length [mm]	I	100	115	105	115	107
Depth of thread [mm]	M	15				
Connecting thread inside	S	M68 x 1,5		M72 x 1,5		M62 x 1,5
Connecting thread outside	T					M72 x 1,5
Position in clamped position [mm]	AU	19	34	21	31	23
Bolt hole circle	V	LK Ø 95 [6 x M8]		LK Ø 104,8 [6 x M10]		
Material		10000944	10000953	10000927	10000928	10000929

Size	65								
Variant	Pull-back								
Spindle nose	DU	KK5			KK6			KK8	
Total length [mm]	I	124	130	150	126	130	155	130	155
Depth of thread [mm]	M	17							
Connecting thread inside	S	M76 x 1,5			M102 x 1,5				
Position in clamped position [mm]	AU	34	40	60	36	40	65	40	65
Bolt hole circle	V	LK Ø 104,8 [6 x M10]			LK Ø 133,4 [6 x M12]			LK Ø 171,4 [6 x M16]	
Material		10000898	10000841	10000842	10000843	10000844	10000845	10000846	10000847

Size	65								
Variant	Pull-back								
Spindle nose	DU	AP120		AP140		AP170	AP220		
Total length [mm]	I	111	120	111	120	115	112		
Depth of thread [mm]	M	17							
Connecting thread inside	S	M76 x 1,5		M80 x 1,5		M102 x 1,5			
Position in clamped position [mm]	AU	21	30	21	30	25	22		
Bolt hole circle	V	LK Ø 104,8 [6 x M10]				LK Ø 133,4 [6 x M12]		LK Ø 171,4 [6 x M16]	
Material		10000868	10000869	10000848	10000849	10000870	10000896		

Size	65								
Variant	Deadlength								
Spindle nose	DU	KK4		KK5		KK6		KK8	
Total length [mm]	I	128		138	124	138	163	133	163
Depth of thread [mm]	M	17							
Connecting thread inside	S	M76 x 1,5			M94 x 1,5				
Position in clamped position [mm]	AU	41		51	36	50	75	45	75
Bolt hole circle	V	LK Ø 82,6 [6 x M10]		LK Ø 104,8 [6 x M10]		LK Ø 133,4 [6 x M12]		LK Ø 171,4 [6 x M16]	
Material		10000965	10000902	10000903	10000904	10000905	10000906	10000907	10000908

Size	65					
Variant	Deadlength					
Spindle nose	DU	AP110	AP120	AP140	AP170	AP220
Total length [mm]	I	125	129	138	110	128
Depth of thread [mm]	M	17				
Connecting thread inside	S	M94 x 1,5				
Position in clamped position [mm]	AU	37	41	50	22	40
Bolt hole circle	V	LK Ø 95 [6 x M8]	LK Ø 104,8 [6 x M10]		LK Ø 133,4 [6 x M12]	
Material		10000949	10000963	10000909	10000954	10000930

Size	80								
Variant	Pull-back								
Spindle nose	DU	KK5		KK6		KK8			
Total length [mm]	I	132	128	135	155	132	150	180	
Depth of thread [mm]	M	18							
Connecting thread inside	S	M102 x 1,5				M125 x 1,5			
Position in clamped position [mm]	AU	41	37	44	64	40	58	88	
Bolt hole circle	V	LK Ø 104,8 [6 x M10]		LK Ø 133,4 [6 x M12]		LK Ø 171,4 [6 x M16]			
Material		10000892	10000871	10000872	10000873	10000874	10000875	10000876	

SPINDLE CONNECTION DATA

SPANNTOP mini chuck

Size		80	
Variant		Pull-back	
Spindle nose	DU	AP140	AP170
Total length [mm]	I	132	115
Depth of thread [mm]	M	18	
Connecting thread inside	S	M102 x 1,5	
Position in clamped position [mm]	AU	41	24
Bolt hole circle	V	LK Ø 104,8 [6 x M10]	LK Ø 133,4 [6 x M12]
Material		10000900	10000877

Size		80						
Variant		Deadlength						
Spindle nose	DU	KK5	KK6			KK8		
Total length [mm]	I	136	130	137	157	132	152	182
Depth of thread [mm]	M	18						
Connecting thread inside	S	M102 x 1,5						
Position in clamped position [mm]	AU	43,5	37,5	44,5	64,5	39,5	59,5	89,5
Bolt hole circle	V	LK Ø 104,8 [6 x M10]	LK Ø 133,4 [6 x M12]			LK Ø 171,4 [6 x M16]		
Material		10000945	10000931	10000932	10000933	10000934	10000935	10000936

Size		80	
Variant		Deadlength	
Spindle nose	DU	AP140	AP170
Total length [mm]	I	134	115
Depth of thread [mm]	M	18	
Connecting thread inside	S	M102 x 1,5	
Position in clamped position [mm]	AU	41,5	22,5
Bolt hole circle	V	LK Ø 104,8 [6 x M10]	LK Ø 133,4 [6 x M12]
Material		10000937	10000946

Size		100						
Variant		Pull-back						
Spindle nose	DU	KK5	KK6		KK8		KK11	
Total length [mm]	I	160	164	170	162	180		195
Depth of thread [mm]	M	20						
Connecting thread inside	S	M130 x 1,5				M150 x 1,5		
Position in clamped position [mm]	AU	44	48	54	46	64	56	71
Bolt hole circle	V	LK Ø 104,8 [6 x M10]	LK Ø 133,4 [6 x M12]		LK Ø 171,4 [6 x M16]		LK Ø 235 [6 x M20]	LK Ø 235 [6 x M20]
Material		10000893	10000879	10000880	10000881	10000882	10000883	10000884

Size		100		
Variant		Pull-back		
Spindle nose	DU	AP140	AP170	AP220
Total length [mm]	I	161	164	150
Depth of thread [mm]	M	20		
Connecting thread inside	S	M130 x 1,5		
Position in clamped position [mm]	AU	45	48	34
Bolt hole circle	V	LK Ø 104,8 [6 x M10]	LK Ø 133,4 [6 x M12]	LK Ø 171,4 [6 x M16]
Material		10000899	10000885	10000886

Size		100						
Variant		Deadlength						
Spindle nose	DU	KK5	KK6		KK8		KK11	
Total length [mm]	I	171	175	182	169	192	185	200
Depth of thread [mm]	M	20						
Connecting thread inside	S	M130 x 1,5						
Position in clamped position [mm]	AU	46	50	57	44	67	60	75
Bolt hole circle	V	LK Ø 104,8 [6 x M10]	LK Ø 133,4 [6 x M12]		LK Ø 171,4 [6 x M16]		LK Ø 235 [6 x M20]	
Material		10000959	10000938	10000939	10000940	10000941	10000960	10000961

SPINDLE CONNECTION DATA
SPANNTOP mini chuck

Size		100		
Variant		Deadlength		
Spindle nose	DU	AP140	AP170	AP220
Total length [mm]	I	171	175	162
Depth of thread [mm]	M	20		
Connecting thread inside	S	M130 x 1,5		
Position in clamped position [mm]	AU	46	50	37
Bolt hole circle	V	LK Ø 104,8 [6 x M10]	LK Ø 133,4 [6 x M12]	LK Ø 171,4 [6 x M16]
Material		10000962	10000942	10000943