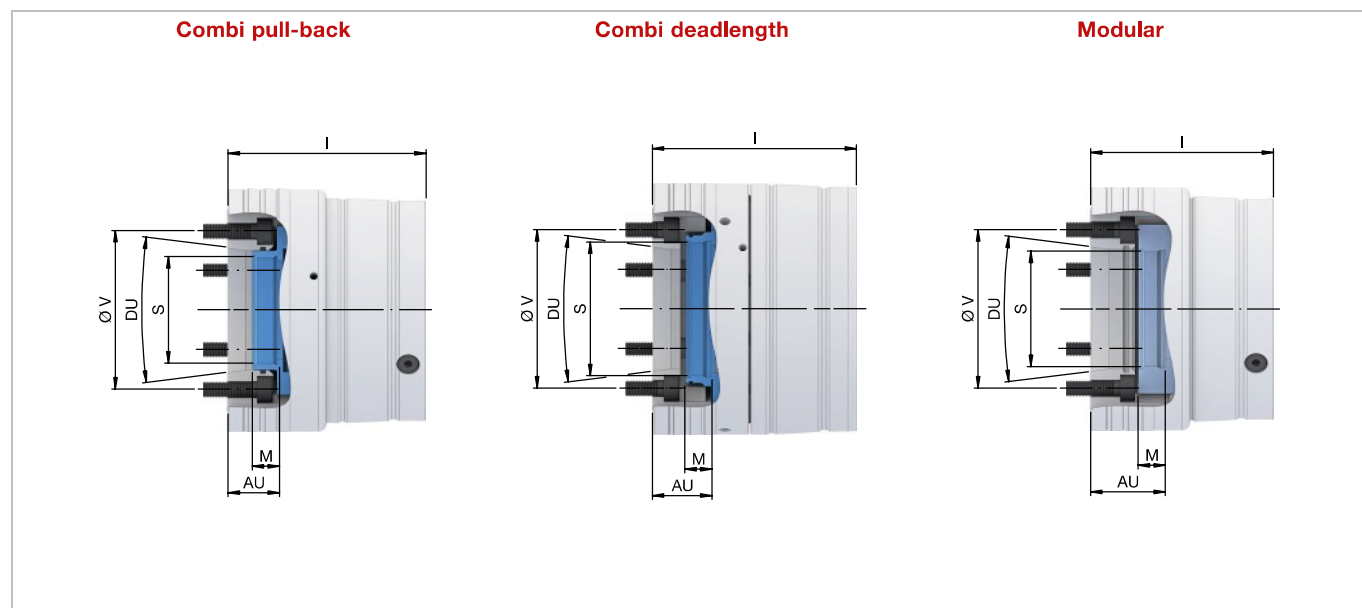


# SPINDLE CONNECTION DATA

## SPANNTOP nova chuck

### SPANNTOP nova. Spindle connection data



Size	32		
Variant	Combi pull-back		
Spindle nose	DU	KK4	KK5
Total length [mm]	l	117	
Depth of thread [mm]	M	18	17
Connecting thread inside	S	M52 x 1,5	M70 x 1,5
Position in clamped position [mm]	AU	34,5	
Bolt hole circle	V	LK Ø 82,6 [6 x M10]	LK Ø 104,8 [6 x M10]
Material		10001768	10001769

Size	32		
Variant	Combi deadlength		
Spindle nose	DU	KK4	KK5
Total length [mm]	l	120	
Depth of thread [mm]	M	15	
Connecting thread inside	S	M52 x 1,5	
Position in clamped position [mm]	AU	34,5	
Bolt hole circle	V	LK Ø 82,6 [6 x M10]	LK Ø 104,8 [6 x M10]
Material		10001810	10001811

Size	32		
Variant	Modular		
Spindle nose	DU	KK4	KK5
Total length [mm]	l	107	
Depth of thread [mm]	M	18	
Connecting thread inside	S	M55 x 1,5	
Position in clamped position [mm]	AU	48	
Bolt hole circle	V	LK Ø 82,6 [3 x M10]	LK Ø 104,8 [6 x M10]
Material		10001739	10001740

Size	42					
Variant	Combi pull-back					
Spindle nose	DU	KK4	KK5	KK6	AP120	AP140
Total length [mm]	l	122		115		
Depth of thread [mm]	M	16	17	16	17	
Connecting thread inside	S	M52 x 1,5	M72 x 1,5	M85 x 1,5	M72 x 1,5	
Position in clamped position [mm]	AU	32,5	35,5		28,5	
Bolt hole circle	V	LK Ø 82,6 [6 x M10]	LK Ø 104,8 [6 x M10]	LK Ø 133,4 [6 x M12]	LK Ø 104,8 [6 x M10]	
Material		10001792	10001770	10001771	10001781	10001782

# SPINDLE CONNECTION DATA

## SPANNTOP nova chuck

Size	<b>42</b>			
Variant	<b>Combi deadlength</b>			
Spindle nose	DU	KK5	KK6	AP140
Total length [mm]	I	120		110
Depth of thread [mm]	M	15,5		
Connecting thread inside	S	M76 x 1,5		
Position in clamped position [mm]	AU	34		24
Bolt hole circle	V	LK Ø 104,8 [6 x M10]	LK Ø 133,4 [6 x M12]	LK Ø 104,8 [6 x M10]
Material		10001812	10001813	10001823

Size	<b>42</b>				
Variant	<b>Modular</b>				
Spindle nose	DU	KK5	KK6	AP120	AP140
Total length [mm]	I	112		105	
Depth of thread [mm]	M	18			
Connecting thread inside	S	M78 x 1,5			
Position in clamped position [mm]	AU	46,5		39,5	
Bolt hole circle	V	LK Ø 104,8 [6 x M10]	LK Ø 133,4 [6 x M12]	LK Ø 104,8 [6 x M10]	
Material		10001741	10001742	10001751	10001752

Size	<b>52</b>				
Variant	<b>Combi pull-back</b>				
Spindle nose	DU	KK5	KK6	AP120	AP140
Total length [mm]	I	122		115	
Depth of thread [mm]	M	17	16	17	
Connecting thread inside	S	M72 x 1,5	M85 x 1,5	M72 x 1,5	
Position in clamped position [mm]	AU	35,5		28,5	
Bolt hole circle	V	LK Ø 104,8 [6 x M10]	LK Ø 133,4 [6 x M12]	LK Ø 104,8 [6 x M10]	
Material		10001772	10001773	10001783	10001784

Size	<b>52</b>				
Variant	<b>Combi deadlength</b>				
Spindle nose	DU	KK5	KK6	AP120	AP140
Total length [mm]	I	120		110	
Depth of thread [mm]	M	15,5			
Connecting thread inside	S	M76 x 1,5			
Position in clamped position [mm]	AU	34		24	
Bolt hole circle	V	LK Ø 104,8 [6 x M10]	LK Ø 133,4 [6 x M12]	LK Ø 104,8 [6 x M10]	
Material		10001814	10001815	10001830	10001824

Size	<b>52</b>				
Variant	<b>Modular</b>				
Spindle nose	DU	KK5	KK6	AP120	AP140
Total length [mm]	I	112		105	
Depth of thread [mm]	M	16			
Connecting thread inside	S	M78 x 1,5			
Position in clamped position [mm]	AU	44,5		37,5	
Bolt hole circle	V	LK Ø 104,8 [6 x M10]	LK Ø 133,4 [6 x M12]	LK Ø 104,8 [6 x M10]	
Material		10001743	10001744	10001753	10001754

Size	<b>65</b>						
Variant	<b>Combi pull-back</b>						
Spindle nose	DU	KK5	KK6	KK8	AP120	AP140	AP170
Total length [mm]	I	131	130	131	120		115
Depth of thread [mm]	M	18					
Connecting thread inside	S	M72 x 1,5	M105 x 1,5		M72 x 1,5		M105 x 1,5
Position in clamped position [mm]	AU	34	37	38	23		22
Bolt hole circle	V	LK Ø 104,8 [6 x M10]	LK Ø 133,4 [6 x M12]	LK Ø 171,4 [6 x M16]	LK Ø 104,8 [6 x M10]		LK Ø 133,4 [6 x M12]
Material		10001774	10001775	10001776	10001785	10001786	10001787

SPINDLE CONNECTION DATA  
**SPANNTOP nova chuck**

Size		65				
Variant		Combi deadlength				
Spindle nose	DU	KK5	KK6	KK8	AP140	AP170
Total length [mm]	I	135			125	
Depth of thread [mm]	M	18				
Connecting thread inside	S	M90 x 1,5				
Position in clamped position [mm]	AU	39,5			29,5	
Bolt hole circle	V	LK Ø 104,8 [6 x M10]	LK Ø 133,4 [6 x M12]	LK Ø 171,4 [6 x M16]	LK Ø 104,8 [6 x M10]	LK Ø 133,4 [6 x M12]
Material		10001816	10001817	10001818	10001825	10001826

Size		65					
Variant		Modular					
Spindle nose	DU	KK5	KK6	KK8	AP120	AP140	AP170
Total length [mm]	I	121	120	121	110		105
Depth of thread [mm]	M	18	25	18			
Connecting thread inside	S	M78 x 1,5	M95 x 1,5	M78 x 1,5			
Position in clamped position [mm]	AU	49,5	42,5	49,5	38,5		33,5
Bolt hole circle	V	LK Ø 104,8 [6 x M10]	LK Ø 133,4 [6 x M12]	LK Ø 171,4 [6 x M16]	LK Ø 104,8 [6 x M10]		LK Ø 133,4 [6 x M12]
Material		10001745	10001746	10001747	10001755	10001756	10001757

Size		80				
Variant		Combi pull-back				
Spindle nose	DU	KK5	KK6	KK8	AP170	AP220
Total length [mm]	I	134	135	140	135	148
Depth of thread [mm]	M	18				
Connecting thread inside	S	M102 x 1,5				
Position in clamped position [mm]	AU	40,5	41,5	46,5	41,5	54,5
Bolt hole circle	V	LK Ø 104,8 [6 x M10]	LK Ø 133,4 [6 x M12]	LK Ø 171,4 [6 x M16]	LK Ø 133,4 [6 x M12]	LK Ø 171,4 [6 x M16]
Material		10001803	10001777	10001778	10001788	10001789

Size		80		
Variant		Combi deadlength		
Spindle nose	DU	KK6	KK8	AP140
Total length [mm]	I	145		
Depth of thread [mm]	M	20		
Connecting thread inside	S	M92 x 1,5		
Position in clamped position [mm]	AU	44,5		
Bolt hole circle	V	LK Ø 133,4 [6 x M12]	LK Ø 171,4 [6 x M16]	LK Ø 104,8 [6 x M10]
Material		10001819	10001820	10001827

Size		80		
Variant		Modular		
Spindle nose	DU	KK6	KK8	AP220
Total length [mm]	I	125	130	138
Depth of thread [mm]	M	25		
Connecting thread inside	S	M112 x 1,5		
Position in clamped position [mm]	AU	48	53	61
Bolt hole circle	V	LK Ø 133,4 [6 x M12]	LK Ø 171,4 [6 x M16]	
Material		10001748	10001749	10001758

Size		100				
Variant		Combi pull-back				
Spindle nose	DU	KK6	KK8	KK11	AP170	AP220
Total length [mm]	I	155	159	165	159	
Depth of thread [mm]	M	18				
Connecting thread inside	S	M135 x 1,5				
Position in clamped position [mm]	AU	44,5	48,5	54,5	48,5	
Bolt hole circle	V	LK Ø 133,4 [6 x M12]	LK Ø 171,4 [6 x M16]	LK Ø 235 [6 x M20]	LK Ø 133,4 [6 x M12]	LK Ø 171,4 [6 x M16]
Material		10001779	10001780	10001793	10001790	10001791

# SPINDLE CONNECTION DATA

## SPANNTOP nova chuck

Size	100					
Variant	Combi deadlength					
Spindle nose	DU	KK6	KK8	KK11	AP170	AP220
Total length [mm]	I	175		180		170
Depth of thread [mm]	M	21		22,5		
Connecting thread inside	S	M92 x 1,5		M125 x 1,5		
Position in clamped position [mm]	AU	47,5		46,5		51,5
Bolt hole circle	V	LK Ø 133,4 [6 x M12]	LK Ø 171,4 [6 x M16]	LK Ø 235 [6 x M20]	LK Ø 133,4 [6 x M12]	LK Ø 171,4 [6 x M16]
Material		10001821	10001822	10001837	10001828	10001829

Size	100					
Variant	Modular					
Spindle nose	DU	KK8	KK11	AP170	AP220	
Total length [mm]	I	149	155	149		
Depth of thread [mm]	M	30				
Connecting thread inside	S	M150 x 1,5				
Position in clamped position [mm]	AU	60		66		60
Bolt hole circle	V	LK Ø 171,4 [6 x M16]	LK Ø 235 [6 x M20]	LK Ø 133,4 [6 x M12]	LK Ø 171,4 [6 x M16]	
Material		10001750	10001761	10001759	10001760	

Size	125					
Variant	Combi pull-back					
Spindle nose	DU	KK6	KK8	KK11	AP170	AP220
Total length [mm]	I	191		185		190
Depth of thread [mm]	M	20				
Connecting thread inside	S	M142 x 1,5				
Position in clamped position [mm]	AU	55		49		54
Bolt hole circle	V	LK Ø 133,4 [6 x M12]	LK Ø 171,4 [6 x M16]	LK Ø 235 [6 x M20]	LK Ø 133,4 [6 x M12]	LK Ø 171,4 [6 x M16]
Material		10001804	10001805	10001806	10001807	10001808

Size	125					
Variant	Combi deadlength					
Spindle nose	DU	KK6	KK8	KK11	AP170	AP220
Total length [mm]	I	190	200		185	190
Depth of thread [mm]	M	20				
Connecting thread inside	S	M136 x 1,5				
Position in clamped position [mm]	AU	52		62		47
Bolt hole circle	V	LK Ø 133,4 [6 x M12]	LK Ø 171,4 [6 x M16]	LK Ø 235 [6 x M20]	LK Ø 133,4 [6 x M12]	LK Ø 171,4 [6 x M16]
Material		10001832	10001833	10001834	10001835	10001836

Size	125					
Variant	Modular					
Spindle nose	DU	KK6	KK8	KK11	AP170	AP220
Total length [mm]	I	178				177
Depth of thread [mm]	M	25				
Connecting thread inside	S	M142 x 1,5				
Position in clamped position [mm]	AU	59		53		58
Bolt hole circle	V	LK Ø 133,4 [6 x M12]	LK Ø 171,4 [6 x M16]	LK Ø 235 [6 x M20]	LK Ø 133,4 [6 x M12]	LK Ø 171,4 [6 x M16]
Material		10001763	10001764	10001765	10001766	10001767

Size	160					
Variant	Combi pull-back					
Spindle nose	DU	KK6	KK8	KK11	AP170	AP220
Total length [mm]	I	190	195	200	189	194
Depth of thread [mm]	M	22				
Connecting thread inside	S	M174 x 1,5				
Position in clamped position [mm]	AU	54	59	64	53	58
Bolt hole circle	V	LK Ø 133,4 [6 x M12]	LK Ø 171,4 [6 x M16]	LK Ø 235 [6 x M20]	LK Ø 133,4 [6 x M12]	LK Ø 171,4 [6 x M16]
Material		10014974	10014977	10014978	10014979	10014980