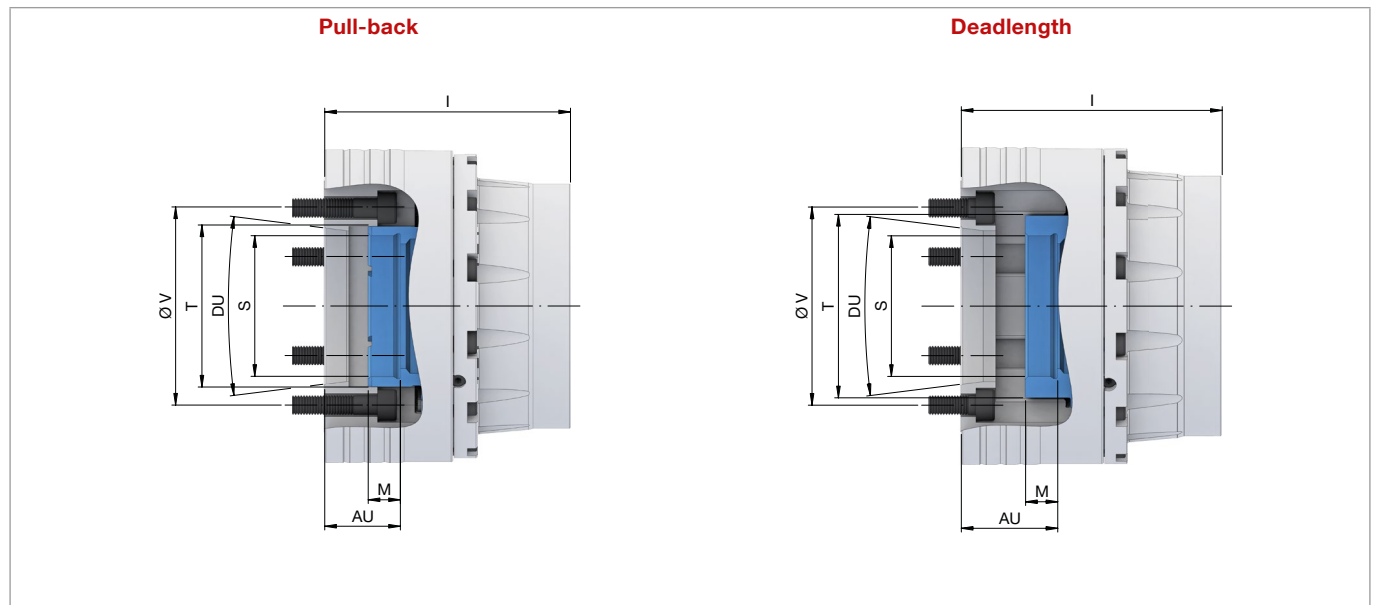


SPINDLE CONNECTION DATA

TOPlus mini chuck

TOPlus mini. Spindle connection data



Size	26			
Variant	Pull-back			
Spindle nose	DU	KK4		KK5
Total length [mm]	l	102		125
Depth of thread [mm]	M	15		
Connecting thread inside	S	M54 x 1,5		M72 x 1,5
Position in clamped position [mm]	AU	34		57
Bolt hole circle	V	LK Ø 82,6 [6 x M10]		LK Ø 104,8 [6 x M10]
Material		10000752		10000753 10000754

Size	26					
Variant	Deadlength					
Spindle nose	DU	KK4		KK5		
Total length [mm]	l	99	110	101	110	130
Depth of thread [mm]	M	15				
Connecting thread inside	S	M58 x 1,5				
Position in clamped position [mm]	AU	30	41	32	41	61
Bolt hole circle	V	LK Ø 82,6 [6 x M10]		LK Ø 104,8 [6 x M10]		
Material		10000797	10000798	10000799	10000800	10000801

Size	40					
Variant	Pull-back					
Spindle nose	DU	KK4		KK5		KK6
Total length [mm]	l	125	117	125	143	124 142
Depth of thread [mm]	M	15				
Connecting thread inside	S	M72 x 1,5			M84 x 1,5	
Position in clamped position [mm]	AU	40	32	40	58	38 56
Bolt hole circle	V	LK Ø 82,6 [6 x M10]	LK Ø 104,8 [6 x M10]		LK Ø 133,4 [6 x M12]	
Material		10000755	10000756	10000757	10000758	10000759 10000760

Size	40			
Variant	Pull-back			
Spindle nose	DU	AP120		AP140
Total length [mm]	l	106		118 106
Depth of thread [mm]	M	15		
Connecting thread inside	S	M72 x 1,5		
Position in clamped position [mm]	AU	21	33	21
Bolt hole circle	V	LK Ø 104,8 [6 x M10]		
Material		10000761	10000762	10000786

SPINDLE CONNECTION DATA

TOPlus mini chuck

Size	40						
Variant	Deadlength						
Spindle nose	DU	KK4		KK5		KK6	
Total length [mm]	I	123	115	123	140	122	139
Depth of thread [mm]	M	15					
Connecting thread inside	S	M72 x 1,5			M62 x 1,5		
Connecting thread outside	T	M72 x 1,5					
Position in clamped position [mm]	AU	40,2	32,2	40,2	57,2	39,1	56,1
Bolt hole circle	V	LK Ø 82,6 [6 x M10]		LK Ø 104,8 [6 x M10]		LK Ø 133,4 [6 x M12]	
Material		10000802	10000803	10000804	10000805	10000806	10000807

Size	52							
Variant	Pull-back							
Spindle nose	DU	KK5		KK6		KK8		
Total length [mm]	I	122	145	122	145	120	145	
Depth of thread [mm]	M	15						
Connecting thread inside	S	M72 x 1,5			M90 x 1,5		M72 x 1,5	
Connecting thread outside	T	M82 x 1,5						
Position in clamped position [mm]	AU	37	60	37	60	35	60	
Bolt hole circle	V	LK Ø 104,8 [6 x M10]		LK Ø 133,4 [6 x M12]		LK Ø 171,4 [6 x M16]		
Material		10000764	10000765	10000766	10000767	10000784	10000785	

Size	52						
Variant	Pull-back						
Spindle nose	DU	AP110		AP120		AP140	
Total length [mm]	I	120	105	115	105	115	115
Depth of thread [mm]	M	15					
Connecting thread inside	S	M72 x 1,5			M62 x 1,5		
Connecting thread outside	T	M72 x 1,5					
Position in clamped position [mm]	AU	35	20	30	20	30	30
Bolt hole circle	V	LK Ø 95 [6 x M8]		LK Ø 104,8 [6 x M10]			
Material		10000782	10000768	10000769	10000770	10000771	10000771

Size	52						
Variant	Deadlength						
Spindle nose	DU	KK5		KK6		KK8	
Total length [mm]	I	122	147	122	147	120	120
Depth of thread [mm]	M	15					
Connecting thread inside	S	M72 x 1,5					
Connecting thread outside	T	M82 x 1,5					
Position in clamped position [mm]	AU	38	63	38	63	36	36
Bolt hole circle	V	LK Ø 104,8 [6 x M10]		LK Ø 133,4 [6 x M12]		LK Ø 171,4 [6 x M16]	
Material		10000811	10000812	10000813	10000814	10000834	10000834

Size	52							
Variant	Deadlength							
Spindle nose	DU	AP110		AP120		AP140		
Total length [mm]	I	100	115	105	115	107	107	
Depth of thread [mm]	M	15						
Connecting thread inside	S	M68 x 1,5			M72 x 1,5		M62 x 1,5	
Connecting thread outside	T	M72 x 1,5						
Position in clamped position [mm]	AU	19	34	21	31	23	23	
Bolt hole circle	V	LK Ø 95 [6 x M8]		LK Ø 104,8 [6 x M10]				
Material		10000831	10000833	10000815	10000816	10000817	10000817	

Size	65								
Variant	Pull-back								
Spindle nose	DU	KK5		KK6		KK8			
Total length [mm]	I	124	130	150	126	130	155	130	155
Depth of thread [mm]	M	17							
Connecting thread inside	S	M76 x 1,5			M102 x 1,5				
Position in clamped position [mm]	AU	34	40	60	36	40	65	40	65
Bolt hole circle	V	LK Ø 104,8 [6 x M10]			LK Ø 133,4 [6 x M12]		LK Ø 171,4 [6 x M16]		
Material		10000787	10000740	10000741	10000742	10000743	10000744	10000745	10000746

SPINDLE CONNECTION DATA

TOPlus mini chuck

Size		65				
Variant		Pull-back				
Spindle nose	DU	AP120		AP140		AP170
Total length [mm]	I	111	120	111	120	115
Depth of thread [mm]	M	17				
Connecting thread inside	S	M76 x 1,5		M80 x 1,5		M102 x 1,5
Position in clamped position [mm]	AU	21	30	21	30	25
Bolt hole circle	V	LK Ø 104,8 [6 x M10]				
Material		10000749	10000750	10000747	10000748	10000751

Size		65					
Variant		Deadlength					
Spindle nose	DU	KK5		KK6		KK8	
Total length [mm]	I	128	138	124	138	163	133 163
Depth of thread [mm]	M	17					
Connecting thread inside	S	M76 x 1,5			M94 x 1,5		
Position in clamped position [mm]	AU	41	51	36	50	75	45 75
Bolt hole circle	V	LK Ø 104,8 [6 x M10]		LK Ø 133,4 [6 x M12]		LK Ø 171,4 [6 x M16]	
Material		10000788	10000789	10000790	10000791	10000792	10000793 10000794

Size		65			
Variant		Deadlength			
Spindle nose	DU	AP120	AP140	AP170	
Total length [mm]	I	129	138	110	128
Depth of thread [mm]	M	17			
Connecting thread inside	S	M94 x 1,5			
Position in clamped position [mm]	AU	41	50	22	40
Bolt hole circle	V	LK Ø 104,8 [6 x M10]		LK Ø 133,4 [6 x M12]	
Material		10000840	10000795	10000836	10000796

Size		100					
Variant		Pull-back					
Spindle nose	DU	KK5	KK6		KK8		KK11
Total length [mm]	I	160	164	170	162	180	195
Depth of thread [mm]	M	20					
Connecting thread inside	S	M130 x 1,5				M150 x 1,5	
Position in clamped position [mm]	AU	44	48	54	46	64	56 71
Bolt hole circle	V	LK Ø 104,8 [6 x M10]	LK Ø 133,4 [6 x M12]		LK Ø 171,4 [6 x M16]		LK Ø 235 [6 x M20]
Material		10000772	10000773	10000774	10000775	10000776	10000777 10000778

Size		100	
Variant		Pull-back	
Spindle nose	DU	AP170	AP220
Total length [mm]	I	164	150
Depth of thread [mm]	M	20	
Connecting thread inside	S	M130 x 1,5	
Position in clamped position [mm]	AU	48	34
Bolt hole circle	V	LK Ø 133,4 [6 x M12]	LK Ø 171,4 [6 x M16]
Material		10000779	10000780

Size		100					
Variant		Deadlength					
Spindle nose	DU	KK5	KK6		KK8		KK11
Total length [mm]	I	171	175	182	169	192	185 200
Depth of thread [mm]	M	20					
Connecting thread inside	S	M130 x 1,5					
Position in clamped position [mm]	AU	46	50	57	44	67	60 75
Bolt hole circle	V	LK Ø 104,8 [6 x M10]	LK Ø 133,4 [6 x M12]		LK Ø 171,4 [6 x M16]		LK Ø 235 [6 x M20]
Material		10000818	10000819	10000820	10000821	10000822	10000823 10000824

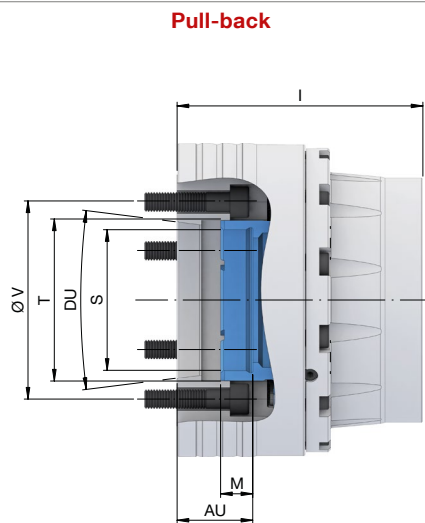
SPINDLE CONNECTION DATA
TOPlus mini chuck

Size		100		
Variant		Deadlength		
Spindle nose	DU	AP140	AP170	AP220
Total length [mm]	I	171	175	162
Depth of thread [mm]	M	20		
Connecting thread inside	S	M130 x 1,5		
Position in clamped position [mm]	AU	46	50	37
Bolt hole circle	V	LK Ø 104,8 [6 x M10]	LK Ø 133,4 [6 x M12]	LK Ø 171,4 [6 x M16]
Material		10000828	10000825	10000826

SPINDLE CONNECTION DATA

TOPlus premium chuck

TOPlus premium. Spindle connection data



Size	26		
Variant	Pull-back		
Spindle nose	DU	KK4	KK5
Total length [mm]	I	102	125
Depth of thread [mm]	M	15	15
Connecting thread inside	S	M54 x 1,5	M72 x 1,5
Position in clamped position [mm]	AU	34	57
Bolt hole circle	V	LK Ø 82,6 [6 x M10]	LK Ø 104,8 [6 x M10]
Material		10017416	10017418 10017419

Size	40					
Variant	Pull-back					
Spindle nose	DU	KK4	KK5		KK6	
Total length [mm]	I	125	117	125	143	124 142
Depth of thread [mm]	M	15				
Connecting thread inside	S	M72 x 1,5			M84 x 1,5	
Position in clamped position [mm]	AU	40	32	40	58	38 56
Bolt hole circle	V	LK Ø 82,6 [6 x M10]	LK Ø 104,8 [6 x M10]		LK Ø 133,4 [6 x M12]	
Material		10017420	10017421	10017422	10017423	10017424 10017425

Size	40		
Variant	Pull-back		
Spindle nose	DU	AP120	AP140
Total length [mm]	I	106	118 106
Depth of thread [mm]	M	15	
Connecting thread inside	S	M72 x 1,5	
Position in clamped position [mm]	AU	21	33 21
Bolt hole circle	V	LK Ø 104,8 [6 x M10]	
Material		10017426	10017427 10017428

Size	52						
Variant	Pull-back						
Spindle nose	DU	KK5		KK6		KK8	
Total length [mm]	I	122	145	122	145	120	145
Depth of thread [mm]	M	15					
Connecting thread inside	S	M72 x 1,5		M90 x 1,5		M72 x 1,5	
Connecting thread outside	T	M82 x 1,5					
Position in clamped position [mm]	AU	37	60	37	60	35	60
Bolt hole circle	V	LK Ø 104,8 [6 x M10]		LK Ø 133,4 [6 x M12]		LK Ø 171,4 [6 x M16]	
Material		10017430	10017432	10017433	10017434	10017435	10017436

SPINDLE CONNECTION DATA

TOPlus premium chuck

Size		52				
Variant		Pull-back				
Spindle nose	DU	AP110	AP120		AP140	
Total length [mm]	I	120	105	115	105	115
Depth of thread [mm]	M	15				
Connecting thread inside	S	M72 x 1,5			M62 x 1,5	
Connecting thread outside	T	M72 x 1,5				
Position in clamped position [mm]	AU	35	20	30	20	30
Bolt hole circle	V	LK Ø 95 [6 x M10]		LK Ø 104,8 [6 x M10]		
Material		10017437	10017438	10017439	10017440	10017441

Size		65							
Variant		Pull-back							
Spindle nose	DU	KK5			KK6		KK8		
Total length [mm]	I	124	130	150	126	130	155	130	155
Depth of thread [mm]	M	17							
Connecting thread inside	S	M76 x 1,5			M102 x 1,5				
Position in clamped position [mm]	AU	34	40	60	36	40	65	40	65
Bolt hole circle	V	LK Ø 104,8 [6 x M10]			LK Ø 133,4 [6 x M12]			LK Ø 171,4 [6 x M16]	
Material		10017442	10017443	10017444	10017445	10017446	10017447	10017448	10017450

Size		65				
Variant		Pull-back				
Spindle nose	DU	AP120		AP140		AP170
Total length [mm]	I	111	120	111	120	115
Depth of thread [mm]	M	17				
Connecting thread inside	S	M76 x 1,5		M80 x 1,5		M102 x 1,5
Position in clamped position [mm]	AU	21	30	21	30	25
Bolt hole circle	V	LK Ø 104,8 [6 x M10]				LK Ø 133,4 [6 x M12]
Material		10017451	10017452	10017453	10017454	10017455

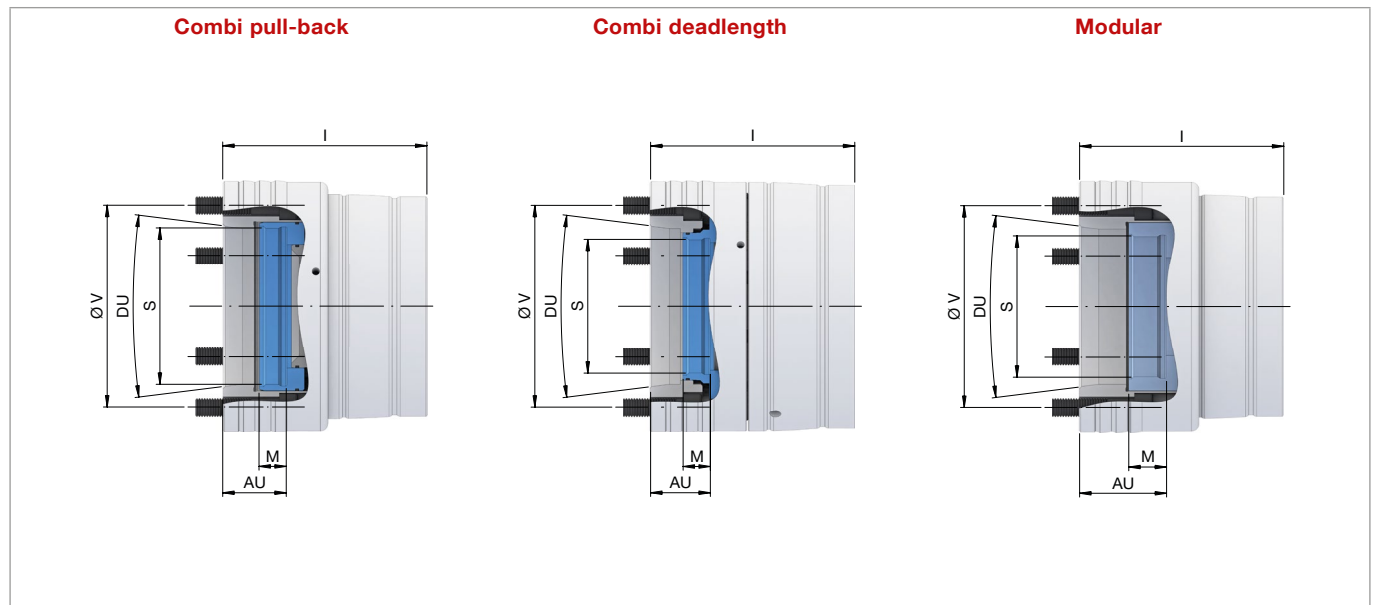
Size		100						
Variant		Pull-back						
Spindle nose	DU	KK5	KK6		KK8		KK11	
Total length [mm]	I	160	164	170	162	180	195	
Depth of thread [mm]	M	20						
Connecting thread inside	S	M130 x 1,5				M150 x 1,5		
Position in clamped position [mm]	AU	44	48	54	46	64	56	71
Bolt hole circle	V	LK Ø 104,8 [6 x M10]	LK Ø 133,4 [6 x M12]		LK Ø 171,4 [6 x M16]		LK Ø 235 [6 x M20]	
Material		10017465	10017466	10017467	10017468	10017469	10017470	10017471

Size		100	
Variant		Pull-back	
Spindle nose	DU	AP170	AP220
Total length [mm]	I	164	150
Depth of thread [mm]	M	20	
Connecting thread inside	S	M130 x 1,5	
Position in clamped position [mm]	AU	48	34
Bolt hole circle	V	LK Ø 133,4 [6 x M12]	LK Ø 171,4 [6 x M16]
Material		10017472	10017473

SPINDLE CONNECTION DATA

TOPlus chuck

TOPlus. Spindle connection data



Size	52				
Variant	Combi pull-back				
Spindle nose	DU	KK5	KK6	AP120	AP140
Total length [mm]	I	122			115
Depth of thread [mm]	M	17	16	17	
Connecting thread inside	S	M72 x 1,5	M85 x 1,5	M72 x 1,5	
Position in clamped position [mm]	AU	35,5			28,5
Bolt hole circle	V	LK Ø 104,8 [6 x M10]	LK Ø 133,4 [6 x M12]	LK Ø 104,8 [6 x M10]	
Material		10001926	10001927	10001928	10001929

Size	52				
Variant	Combi deadlength				
Spindle nose	DU	KK5	KK6	AP120	AP140
Total length [mm]	I	120			110
Depth of thread [mm]	M	15,5			
Connecting thread inside	S	M76 x 1,5			
Position in clamped position [mm]	AU	34			24
Bolt hole circle	V	LK Ø 104,8 [6 x M10]	LK Ø 133,4 [6 x M12]	LK Ø 104,8 [6 x M10]	
Material		10001945	10001946	10001947	10001948

Size	52				
Variant	Modular				
Spindle nose	DU	KK5	KK6	AP120	AP140
Total length [mm]	I	112			105
Depth of thread [mm]	M	16			
Connecting thread inside	S	M78 x 1,5			
Position in clamped position [mm]	AU	44,5			37,5
Bolt hole circle	V	LK Ø 104,8 [6 x M10]	LK Ø 133,4 [6 x M12]	LK Ø 104,8 [6 x M10]	
Material		10001913	10001914	10001915	10001916

Size	65						
Variant	Combi pull-back						
Spindle nose	DU	KK5	KK6	KK8	AP120	AP140	AP170
Total length [mm]	I	131	130	131	120		115
Depth of thread [mm]	M	18					
Connecting thread inside	S	M72 x 1,5	M105 x 1,5			M72 x 1,5	M105 x 1,5
Position in clamped position [mm]	AU	34	37	38	23		22
Bolt hole circle	V	LK Ø 104,8 [6 x M10]	LK Ø 133,4 [6 x M12]	LK Ø 171,4 [6 x M16]	LK Ø 104,8 [6 x M10]		LK Ø 133,4 [6 x M12]
Material		10001920	10001921	10001922	10001923	10001924	10001925

SPINDLE CONNECTION DATA
TOPlus chuck

Size		65				
Variant		Combi deadlength				
Spindle nose	DU	KK5	KK6	KK8	AP140	AP170
Total length [mm]	I	135			125	
Depth of thread [mm]	M	18				
Connecting thread inside	S	M90 x 1,5				
Position in clamped position [mm]	AU	39,5			29,5	
Bolt hole circle	V	LK Ø 104,8 [6 x M10]	LK Ø 133,4 [6 x M12]	LK Ø 171,4 [6 x M16]	LK Ø 104,8 [6 x M10]	LK Ø 133,4 [6 x M12]
Material		10001936	10001937	10001938	10001939	10001940

Size		65					
Variant		Modular					
Spindle nose	DU	KK5	KK6	KK8	AP120	AP140	AP170
Total length [mm]	I	121	120	121	110		105
Depth of thread [mm]	M	18	25	18			
Connecting thread inside	S	M78 x 1,5	M95 x 1,5	M78 x 1,5			
Position in clamped position [mm]	AU	49,5	42,5	49,5	38,5		33,5
Bolt hole circle	V	LK Ø 104,8 [6 x M10]	LK Ø 133,4 [6 x M12]	LK Ø 171,4 [6 x M16]	LK Ø 104,8 [6 x M10]		LK Ø 133,4 [6 x M12]
Material		10001907	10001908	10001909	10001910	10001911	10001912

Size		100				
Variant		Combi pull-back				
Spindle nose	DU	KK6	KK8	KK11	AP170	AP220
Total length [mm]	I	155	159	165	159	
Depth of thread [mm]	M	18				
Connecting thread inside	S	M135 x 1,5				
Position in clamped position [mm]	AU	44,5	48,5	54,5	48,5	
Bolt hole circle	V	LK Ø 133,4 [6 x M12]	LK Ø 171,4 [6 x M16]	LK Ø 235 [6 x M20]	LK Ø 133,4 [6 x M12]	LK Ø 171,4 [6 x M16]
Material		10001930	10001931	10001935	10001932	10001933

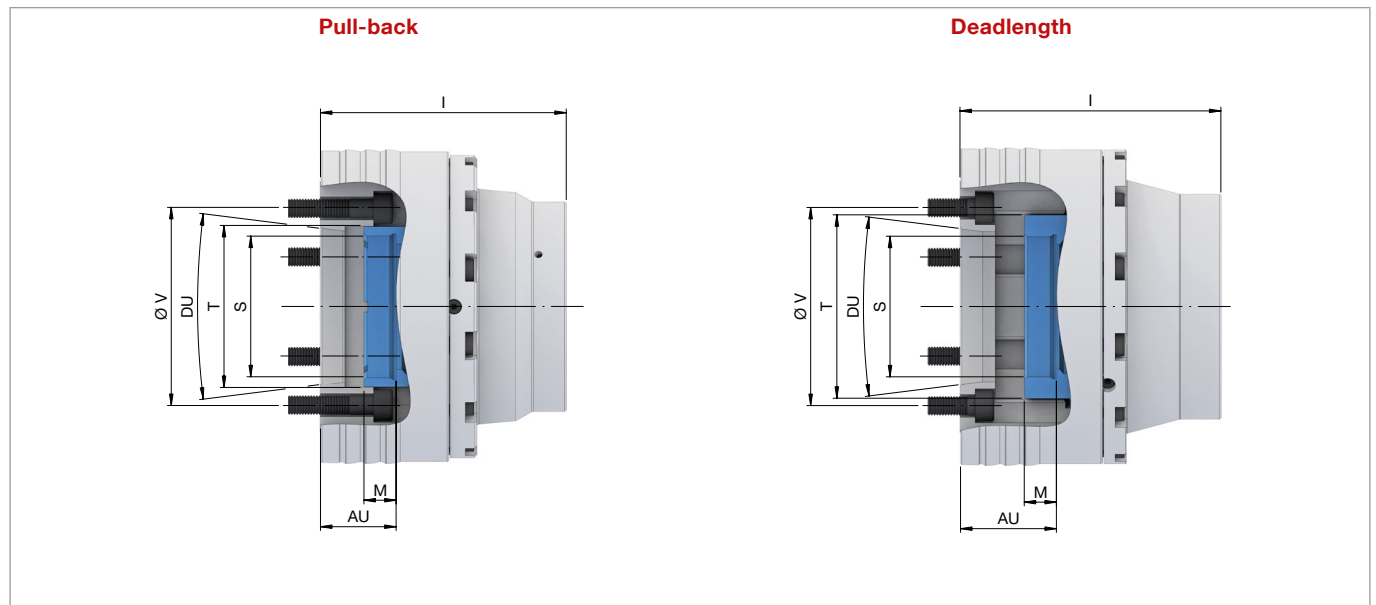
Size		100			
Variant		Combi deadlength			
Spindle nose	DU	KK6	KK8	AP170	AP220
Total length [mm]	I	175		180	170
Depth of thread [mm]	M	21	22,5		
Connecting thread inside	S	M92 x 1,5	M125 x 1,5		
Position in clamped position [mm]	AU	47,5	46,5	51,5	41,5
Bolt hole circle	V	LK Ø 133,4 [6 x M12]	LK Ø 171,4 [6 x M16]	LK Ø 133,4 [6 x M12]	LK Ø 171,4 [6 x M16]
Material		10001941	10001942	10001943	10001944

Size		100		
Variant		Modular		
Spindle nose	DU	KK8	AP170	AP220
Total length [mm]	I	149		
Depth of thread [mm]	M	30		
Connecting thread inside	S	M150 x 1,5		
Position in clamped position [mm]	AU	60		
Bolt hole circle	V	LK Ø 171,4 [6 x M16]	LK Ø 133,4 [6 x M12]	LK Ø 171,4 [6 x M16]
Material		10001917	10001918	10001919

SPINDLE CONNECTION DATA

SPANNTOP mini chuck

SPANNTOP mini. Spindle connection data



Size	32			
Variant	Pull-back			
Spindle nose	DU	KK4	KK5	KK6
Total length [mm]	I	117		140
Depth of thread [mm]	M	15		
Connecting thread inside	S	M54 x 1,5		M72 x 1,5
Position in clamped position [mm]	AU	34		57
Bolt hole circle	V	LK Ø 82,6 [6 x M10]		LK Ø 104,8 [6 x M10]
Material		10000850	10000851	10000852

Size	32					
Variant	Deadlength					
Spindle nose	DU	KK4		KK5		KK6
Total length [mm]	I	112	122	114	122	142
Depth of thread [mm]	M	15				
Connecting thread inside	S	M58 x 1,5				
Position in clamped position [mm]	AU	31,5	41,5	33,5	41,5	61,5
Bolt hole circle	V	LK Ø 82,6 [6 x M10]		LK Ø 104,8 [6 x M10]		LK Ø 133,4 [6 x M12]
Material		10000910	10000911	10000912	10000913	10000914

Size	32	
Variant	Deadlength	
Spindle nose	DU	AP140
Total length [mm]	I	101
Depth of thread [mm]	M	15
Connecting thread inside	S	M58 x 1,5
Position in clamped position [mm]	AU	20,5
Bolt hole circle	V	LK Ø 104,8 [6 x M10]
Material		10000968

Size	42					
Variant	Pull-back					
Spindle nose	DU	KK4		KK5		KK6
Total length [mm]	I	122	114	122	140	122
Depth of thread [mm]	M	15				
Connecting thread inside	S	M72 x 1,5				M84 x 1,5
Position in clamped position [mm]	AU	40	32	40	58	38
Bolt hole circle	V	LK Ø 82,6 [6 x M10]		LK Ø 104,8 [6 x M10]		LK Ø 133,4 [6 x M12]
Material		10000853	10000854	10000855	10000856	10000857

SPINDLE CONNECTION DATA

SPANNTOP mini chuck

Size	42					
Variant	Pull-back					
Spindle nose	DU	AP120		AP140		AP170
Total length [mm]	I	102	115	102	115	102
Depth of thread [mm]	M	15				
Connecting thread inside	S	M72 x 1,5		M62 x 1,5		M76 x 1,5
Connecting thread outside	T			M72 x 1,5		M62 x 1,5
Position in clamped position [mm]	AU	20	33	20	33	20
Bolt hole circle	V	LK Ø 104,8 [6 x M10]				LK Ø 133,4 [6 x M12]
Material		10000859	10000860	10000861	10000862	10000901

Size	42					
Variant	Deadlength					
Spindle nose	DU	KK4	KK5		KK6	
Total length [mm]	I	125	118	125	142	124
Depth of thread [mm]	M	15				
Connecting thread inside	S	M72 x 1,5				M62 x 1,5
Connecting thread outside	T					M72 x 1,5
Position in clamped position [mm]	AU	38	33	40	57	39
Bolt hole circle	V	LK Ø 82,6 [6 x M10]	LK Ø 104,8 [6 x M10]			LK Ø 133,4 [6 x M12]
Material		10000951	10000915	10000916	10000917	10000918

Size	42					
Variant	Deadlength					
Spindle nose	DU	AP110	AP120	AP140		
Total length [mm]	I	105				117
Depth of thread [mm]	M	15				
Connecting thread inside	S	M72 x 1,5		M62 x 1,5		
Connecting thread outside	T					M72 x 1,5
Position in clamped position [mm]	AU	20			32	
Bolt hole circle	V	LK Ø 95 [6 x M8]	LK Ø 104,8 [6 x M10]			
Material		10000952	10000966	10000920	10000921	

Size	52					
Variant	Pull-back					
Spindle nose	DU	KK5		KK6		KK8
Total length [mm]	I	122	145	122	145	120
Depth of thread [mm]	M	15				
Connecting thread inside	S	M72 x 1,5		M90 x 1,5		M72 x 1,5
Connecting thread outside	T					M82 x 1,5
Position in clamped position [mm]	AU	37	60	37	60	35
Bolt hole circle	V	LK Ø 104,8 [6 x M10]		LK Ø 133,4 [6 x M12]		LK Ø 171,4 [6 x M16]
Material		10000864	10000865	10000866	10000867	10000894

Size	52					
Variant	Pull-back					
Spindle nose	DU	AP110	AP120	AP140		
Total length [mm]	I	120	105	115	105	115
Depth of thread [mm]	M	15				
Connecting thread inside	S	M72 x 1,5				M62 x 1,5
Connecting thread outside	T					M72 x 1,5
Position in clamped position [mm]	AU	35	20	30	20	30
Bolt hole circle	V	LK Ø 95 [6 x M8]	LK Ø 104,8 [6 x M10]			
Material		10000891	10000887	10000888	10000889	10000890

Size	52					
Variant	Deadlength					
Spindle nose	DU	KK4	KK5		KK6	KK8
Total length [mm]	I	122	147	122	147	120
Depth of thread [mm]	M	15				
Connecting thread inside	S	M72 x 1,5				
Connecting thread outside	T					M82 x 1,5
Position in clamped position [mm]	AU	38	63	38	63	36
Bolt hole circle	V	LK Ø 82,6 [6 x M10]	LK Ø 104,8 [6 x M10]		LK Ø 133,4 [6 x M12]	LK Ø 171,4 [6 x M16]
Material		10000922	10000923	10000924	10000925	10000926

SPINDLE CONNECTION DATA

SPANNTOP mini chuck

Size	52					
Variant	Deadlength					
Spindle nose	DU	AP110		AP120		AP140
Total length [mm]	I	100	115	105	115	107
Depth of thread [mm]	M	15				
Connecting thread inside	S	M68 x 1,5		M72 x 1,5		M62 x 1,5
Connecting thread outside	T					M72 x 1,5
Position in clamped position [mm]	AU	19	34	21	31	23
Bolt hole circle	V	LK Ø 95 [6 x M8]		LK Ø 104,8 [6 x M10]		
Material		10000944	10000953	10000927	10000928	10000929

Size	65								
Variant	Pull-back								
Spindle nose	DU	KK5		KK6		KK8			
Total length [mm]	I	124	130	150	126	130	155	130	155
Depth of thread [mm]	M	17							
Connecting thread inside	S	M76 x 1,5			M102 x 1,5				
Position in clamped position [mm]	AU	34	40	60	36	40	65	40	65
Bolt hole circle	V	LK Ø 104,8 [6 x M10]			LK Ø 133,4 [6 x M12]			LK Ø 171,4 [6 x M16]	
Material		10000898	10000841	10000842	10000843	10000844	10000845	10000846	10000847

Size	65						
Variant	Pull-back						
Spindle nose	DU	AP120		AP140		AP170	AP220
Total length [mm]	I	111	120	111	120	115	112
Depth of thread [mm]	M	17					
Connecting thread inside	S	M76 x 1,5		M80 x 1,5		M102 x 1,5	
Position in clamped position [mm]	AU	21	30	21	30	25	22
Bolt hole circle	V	LK Ø 104,8 [6 x M10]				LK Ø 133,4 [6 x M12]	LK Ø 171,4 [6 x M16]
Material		10000868	10000869	10000848	10000849	10000870	10000896

Size	65								
Variant	Deadlength								
Spindle nose	DU	KK4	KK5	KK6		KK8			
Total length [mm]	I	128		138	124	138	163	133	163
Depth of thread [mm]	M	17							
Connecting thread inside	S	M76 x 1,5			M94 x 1,5				
Position in clamped position [mm]	AU	41		51	36	50	75	45	75
Bolt hole circle	V	LK Ø 82,6 [6 x M10]	LK Ø 104,8 [6 x M10]		LK Ø 133,4 [6 x M12]			LK Ø 171,4 [6 x M16]	
Material		10000965	10000902	10000903	10000904	10000905	10000906	10000907	10000908

Size	65						
Variant	Deadlength						
Spindle nose	DU	AP110	AP120	AP140	AP170	AP220	
Total length [mm]	I	125	129	138	110	128	111
Depth of thread [mm]	M	17					
Connecting thread inside	S	M94 x 1,5					
Position in clamped position [mm]	AU	37	41	50	22	40	23
Bolt hole circle	V	LK Ø 95 [6 x M8]	LK Ø 104,8 [6 x M10]		LK Ø 133,4 [6 x M12]		LK Ø 171,4 [6 x M16]
Material		10000949	10000963	10000909	10000954	10000930	10000964

Size	80								
Variant	Pull-back								
Spindle nose	DU	KK5	KK6		KK8				
Total length [mm]	I	132	128	135	155	132	150	180	
Depth of thread [mm]	M	18							
Connecting thread inside	S	M102 x 1,5			M125 x 1,5				
Position in clamped position [mm]	AU	41	37	44	64	40	58	88	
Bolt hole circle	V	LK Ø 104,8 [6 x M10]	LK Ø 133,4 [6 x M12]			LK Ø 171,4 [6 x M16]			
Material		10000892	10000871	10000872	10000873	10000874	10000875	10000876	

SPINDLE CONNECTION DATA

SPANNTOP mini chuck

Size		80	
Variant		Pull-back	
Spindle nose	DU	AP140	AP170
Total length [mm]	I	132	115
Depth of thread [mm]	M	18	
Connecting thread inside	S	M102 x 1,5	
Position in clamped position [mm]	AU	41	24
Bolt hole circle	V	LK Ø 104,8 [6 x M10]	LK Ø 133,4 [6 x M12]
Material		10000900	10000877

Size		80						
Variant		Deadlength						
Spindle nose	DU	KK5	KK6			KK8		
Total length [mm]	I	136	130	137	157	132	152	182
Depth of thread [mm]	M	18						
Connecting thread inside	S	M102 x 1,5						
Position in clamped position [mm]	AU	43,5	37,5	44,5	64,5	39,5	59,5	89,5
Bolt hole circle	V	LK Ø 104,8 [6 x M10]	LK Ø 133,4 [6 x M12]			LK Ø 171,4 [6 x M16]		
Material		10000945	10000931	10000932	10000933	10000934	10000935	10000936

Size		80	
Variant		Deadlength	
Spindle nose	DU	AP140	AP170
Total length [mm]	I	134	115
Depth of thread [mm]	M	18	
Connecting thread inside	S	M102 x 1,5	
Position in clamped position [mm]	AU	41,5	22,5
Bolt hole circle	V	LK Ø 104,8 [6 x M10]	LK Ø 133,4 [6 x M12]
Material		10000937	10000946

Size		100						
Variant		Pull-back						
Spindle nose	DU	KK5	KK6		KK8		KK11	
Total length [mm]	I	160	164	170	162	180		195
Depth of thread [mm]	M	20						
Connecting thread inside	S	M130 x 1,5				M150 x 1,5		
Position in clamped position [mm]	AU	44	48	54	46	64	56	71
Bolt hole circle	V	LK Ø 104,8 [6 x M10]	LK Ø 133,4 [6 x M12]		LK Ø 171,4 [6 x M16]		LK Ø 235 [6 x M20]	LK Ø 235 [6 x M20]
Material		10000893	10000879	10000880	10000881	10000882	10000883	10000884

Size		100		
Variant		Pull-back		
Spindle nose	DU	AP140	AP170	AP220
Total length [mm]	I	161	164	150
Depth of thread [mm]	M	20		
Connecting thread inside	S	M130 x 1,5		
Position in clamped position [mm]	AU	45	48	34
Bolt hole circle	V	LK Ø 104,8 [6 x M10]	LK Ø 133,4 [6 x M12]	LK Ø 171,4 [6 x M16]
Material		10000899	10000885	10000886

Size		100						
Variant		Deadlength						
Spindle nose	DU	KK5	KK6		KK8		KK11	
Total length [mm]	I	171	175	182	169	192	185	200
Depth of thread [mm]	M	20						
Connecting thread inside	S	M130 x 1,5						
Position in clamped position [mm]	AU	46	50	57	44	67	60	75
Bolt hole circle	V	LK Ø 104,8 [6 x M10]	LK Ø 133,4 [6 x M12]		LK Ø 171,4 [6 x M16]		LK Ø 235 [6 x M20]	
Material		10000959	10000938	10000939	10000940	10000941	10000960	10000961

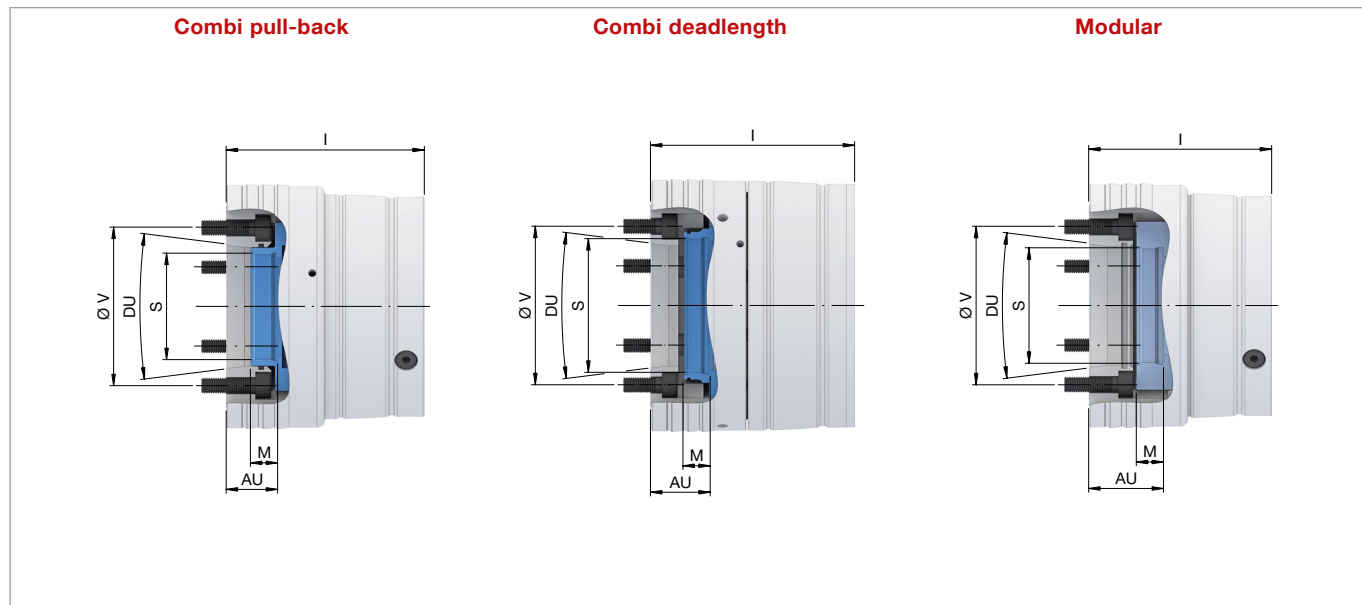
SPINDLE CONNECTION DATA
SPANNTOP mini chuck

Size		100		
Variant		Deadlength		
Spindle nose	DU	AP140	AP170	AP220
Total length [mm]	I	171	175	162
Depth of thread [mm]	M	20		
Connecting thread inside	S	M130 x 1,5		
Position in clamped position [mm]	AU	46	50	37
Bolt hole circle	V	LK Ø 104,8 [6 x M10]	LK Ø 133,4 [6 x M12]	LK Ø 171,4 [6 x M16]
Material		10000962	10000942	10000943

SPINDLE CONNECTION DATA

SPANNTOP nova chuck

SPANNTOP nova. Spindle connection data



Size	32	
Variant	Combi pull-back	
Spindle nose	DU	KK4
Total length [mm]	I	117
Depth of thread [mm]	M	18
Connecting thread inside	S	M52 x 1,5
Position in clamped position [mm]	AU	34,5
Bolt hole circle	V	LK Ø 82,6 [6 x M10]
Material		10001768

Size	32	
Variant	Combi deadlength	
Spindle nose	DU	KK4
Total length [mm]	I	120
Depth of thread [mm]	M	15
Connecting thread inside	S	M52 x 1,5
Position in clamped position [mm]	AU	34,5
Bolt hole circle	V	LK Ø 82,6 [6 x M10]
Material		10001810

Size	32	
Variant	Modular	
Spindle nose	DU	KK4
Total length [mm]	I	107
Depth of thread [mm]	M	18
Connecting thread inside	S	M55 x 1,5
Position in clamped position [mm]	AU	48
Bolt hole circle	V	LK Ø 82,6 [3 x M10]
Material		10001739

Size	42					
Variant	Combi pull-back					
Spindle nose	DU	KK4	KK5	KK6	AP120	AP140
Total length [mm]	I		122			115
Depth of thread [mm]	M	16	17	16		17
Connecting thread inside	S	M52 x 1,5	M72 x 1,5	M85 x 1,5		M72 x 1,5
Position in clamped position [mm]	AU	32,5		35,5		28,5
Bolt hole circle	V	LK Ø 82,6 [6 x M10]	LK Ø 104,8 [6 x M10]	LK Ø 133,4 [6 x M12]		LK Ø 104,8 [6 x M10]
Material		10001792	10001770	10001771	10001781	10001782

SPINDLE CONNECTION DATA

SPANNTOP nova chuck

Size	42			
Variant	Combi deadlength			
Spindle nose	DU	KK5	KK6	AP140
Total length [mm]	I	120		110
Depth of thread [mm]	M	15,5		
Connecting thread inside	S	M76 x 1,5		
Position in clamped position [mm]	AU	34		24
Bolt hole circle	V	LK Ø 104,8 [6 x M10]	LK Ø 133,4 [6 x M12]	LK Ø 104,8 [6 x M10]
Material		10001812	10001813	10001823

Size	42				
Variant	Modular				
Spindle nose	DU	KK5	KK6	AP120	AP140
Total length [mm]	I	112		105	
Depth of thread [mm]	M	18			
Connecting thread inside	S	M78 x 1,5			
Position in clamped position [mm]	AU	46,5		39,5	
Bolt hole circle	V	LK Ø 104,8 [6 x M10]	LK Ø 133,4 [6 x M12]	LK Ø 104,8 [6 x M10]	
Material		10001741	10001742	10001751	10001752

Size	52				
Variant	Combi pull-back				
Spindle nose	DU	KK5	KK6	AP120	AP140
Total length [mm]	I	122		115	
Depth of thread [mm]	M	17	16	17	
Connecting thread inside	S	M72 x 1,5	M85 x 1,5	M72 x 1,5	
Position in clamped position [mm]	AU	35,5		28,5	
Bolt hole circle	V	LK Ø 104,8 [6 x M10]	LK Ø 133,4 [6 x M12]	LK Ø 104,8 [6 x M10]	
Material		10001772	10001773	10001783	10001784

Size	52				
Variant	Combi deadlength				
Spindle nose	DU	KK5	KK6	AP120	AP140
Total length [mm]	I	120		110	
Depth of thread [mm]	M	15,5			
Connecting thread inside	S	M76 x 1,5			
Position in clamped position [mm]	AU	34		24	
Bolt hole circle	V	LK Ø 104,8 [6 x M10]	LK Ø 133,4 [6 x M12]	LK Ø 104,8 [6 x M10]	
Material		10001814	10001815	10001830	10001824

Size	52				
Variant	Modular				
Spindle nose	DU	KK5	KK6	AP120	AP140
Total length [mm]	I	112		105	
Depth of thread [mm]	M	16			
Connecting thread inside	S	M78 x 1,5			
Position in clamped position [mm]	AU	44,5		37,5	
Bolt hole circle	V	LK Ø 104,8 [6 x M10]	LK Ø 133,4 [6 x M12]	LK Ø 104,8 [6 x M10]	
Material		10001743	10001744	10001753	10001754

Size	65						
Variant	Combi pull-back						
Spindle nose	DU	KK5	KK6	KK8	AP120	AP140	AP170
Total length [mm]	I	131	130	131	120		115
Depth of thread [mm]	M	18					
Connecting thread inside	S	M72 x 1,5	M105 x 1,5		M72 x 1,5		M105 x 1,5
Position in clamped position [mm]	AU	34	37	38	23		22
Bolt hole circle	V	LK Ø 104,8 [6 x M10]	LK Ø 133,4 [6 x M12]	LK Ø 171,4 [6 x M16]	LK Ø 104,8 [6 x M10]		LK Ø 133,4 [6 x M12]
Material		10001774	10001775	10001776	10001785	10001786	10001787

SPINDLE CONNECTION DATA
SPANNTOP nova chuck

Size		65				
Variant		Combi deadlength				
Spindle nose	DU	KK5	KK6	KK8	AP140	AP170
Total length [mm]	I	135			125	
Depth of thread [mm]	M	18				
Connecting thread inside	S	M90 x 1,5				
Position in clamped position [mm]	AU	39,5			29,5	
Bolt hole circle	V	LK Ø 104,8 [6 x M10]	LK Ø 133,4 [6 x M12]	LK Ø 171,4 [6 x M16]	LK Ø 104,8 [6 x M10]	LK Ø 133,4 [6 x M12]
Material		10001816	10001817	10001818	10001825	10001826

Size		65					
Variant		Modular					
Spindle nose	DU	KK5	KK6	KK8	AP120	AP140	AP170
Total length [mm]	I	121	120	121	110		105
Depth of thread [mm]	M	18	25	18			
Connecting thread inside	S	M78 x 1,5	M95 x 1,5	M78 x 1,5			
Position in clamped position [mm]	AU	49,5	42,5	49,5	38,5		33,5
Bolt hole circle	V	LK Ø 104,8 [6 x M10]	LK Ø 133,4 [6 x M12]	LK Ø 171,4 [6 x M16]	LK Ø 104,8 [6 x M10]		LK Ø 133,4 [6 x M12]
Material		10001745	10001746	10001747	10001755	10001756	10001757

Size		80				
Variant		Combi pull-back				
Spindle nose	DU	KK5	KK6	KK8	AP170	AP220
Total length [mm]	I	134	135	140	135	148
Depth of thread [mm]	M	18				
Connecting thread inside	S	M102 x 1,5				
Position in clamped position [mm]	AU	40,5	41,5	46,5	41,5	54,5
Bolt hole circle	V	LK Ø 104,8 [6 x M10]	LK Ø 133,4 [6 x M12]	LK Ø 171,4 [6 x M16]	LK Ø 133,4 [6 x M12]	LK Ø 171,4 [6 x M16]
Material		10001803	10001777	10001778	10001788	10001789

Size		80		
Variant		Combi deadlength		
Spindle nose	DU	KK6	KK8	AP140
Total length [mm]	I	145		
Depth of thread [mm]	M	20		
Connecting thread inside	S	M92 x 1,5		
Position in clamped position [mm]	AU	44,5		
Bolt hole circle	V	LK Ø 133,4 [6 x M12]	LK Ø 171,4 [6 x M16]	LK Ø 104,8 [6 x M10]
Material		10001819	10001820	10001827

Size		80		
Variant		Modular		
Spindle nose	DU	KK6	KK8	AP220
Total length [mm]	I	125	130	138
Depth of thread [mm]	M	25		
Connecting thread inside	S	M112 x 1,5		
Position in clamped position [mm]	AU	48	53	61
Bolt hole circle	V	LK Ø 133,4 [6 x M12]	LK Ø 171,4 [6 x M16]	
Material		10001748	10001749	10001758

Size		100				
Variant		Combi pull-back				
Spindle nose	DU	KK6	KK8	KK11	AP170	AP220
Total length [mm]	I	155	159	165	159	
Depth of thread [mm]	M	18				
Connecting thread inside	S	M135 x 1,5				
Position in clamped position [mm]	AU	44,5	48,5	54,5	48,5	
Bolt hole circle	V	LK Ø 133,4 [6 x M12]	LK Ø 171,4 [6 x M16]	LK Ø 235 [6 x M20]	LK Ø 133,4 [6 x M12]	LK Ø 171,4 [6 x M16]
Material		10001779	10001780	10001793	10001790	10001791

SPINDLE CONNECTION DATA

SPANNTOP nova chuck

Size	100					
Variant	Combi deadlength					
Spindle nose	DU	KK6	KK8	KK11	AP170	AP220
Total length [mm]	I	175		180		170
Depth of thread [mm]	M	21		22,5		
Connecting thread inside	S	M92 x 1,5		M125 x 1,5		
Position in clamped position [mm]	AU	47,5		51,5		41,5
Bolt hole circle	V	LK Ø 133,4 [6 x M12]	LK Ø 171,4 [6 x M16]	LK Ø 235 [6 x M20]	LK Ø 133,4 [6 x M12]	LK Ø 171,4 [6 x M16]
Material		10001821	10001822	10001837	10001828	10001829

Size	100					
Variant	Modular					
Spindle nose	DU	KK8	KK11	AP170	AP220	
Total length [mm]	I	149	155	149		
Depth of thread [mm]	M	30				
Connecting thread inside	S	M150 x 1,5				
Position in clamped position [mm]	AU	60		60		
Bolt hole circle	V	LK Ø 171,4 [6 x M16]	LK Ø 235 [6 x M20]	LK Ø 133,4 [6 x M12]	LK Ø 171,4 [6 x M16]	
Material		10001750	10001761	10001759	10001760	

Size	125					
Variant	Combi pull-back					
Spindle nose	DU	KK6	KK8	KK11	AP170	AP220
Total length [mm]	I	191		185		190
Depth of thread [mm]	M	20				
Connecting thread inside	S	M142 x 1,5				
Position in clamped position [mm]	AU	55		49		54
Bolt hole circle	V	LK Ø 133,4 [6 x M12]	LK Ø 171,4 [6 x M16]	LK Ø 235 [6 x M20]	LK Ø 133,4 [6 x M12]	LK Ø 171,4 [6 x M16]
Material		10001804	10001805	10001806	10001807	10001808

Size	125					
Variant	Combi deadlength					
Spindle nose	DU	KK6	KK8	KK11	AP170	AP220
Total length [mm]	I	190	200		185	190
Depth of thread [mm]	M	20				
Connecting thread inside	S	M136 x 1,5				
Position in clamped position [mm]	AU	52		62		47
Bolt hole circle	V	LK Ø 133,4 [6 x M12]	LK Ø 171,4 [6 x M16]	LK Ø 235 [6 x M20]	LK Ø 133,4 [6 x M12]	LK Ø 171,4 [6 x M16]
Material		10001832	10001833	10001834	10001835	10001836

Size	125					
Variant	Modular					
Spindle nose	DU	KK6	KK8	KK11	AP170	AP220
Total length [mm]	I	178				177
Depth of thread [mm]	M	25				
Connecting thread inside	S	M142 x 1,5				
Position in clamped position [mm]	AU	59		53		58
Bolt hole circle	V	LK Ø 133,4 [6 x M12]	LK Ø 171,4 [6 x M16]	LK Ø 235 [6 x M20]	LK Ø 133,4 [6 x M12]	LK Ø 171,4 [6 x M16]
Material		10001763	10001764	10001765	10001766	10001767

Size	160					
Variant	Combi pull-back					
Spindle nose	DU	KK6	KK8	KK11	AP170	AP220
Total length [mm]	I	190	195	200	189	194
Depth of thread [mm]	M	22				
Connecting thread inside	S	M174 x 1,5				
Position in clamped position [mm]	AU	54	59	64	53	58
Bolt hole circle	V	LK Ø 133,4 [6 x M12]	LK Ø 171,4 [6 x M16]	LK Ø 235 [6 x M20]	LK Ø 133,4 [6 x M12]	LK Ø 171,4 [6 x M16]
Material		10014974	10014977	10014978	10014979	10014980