



Clamping head BZI. For raw material clamping

Size	Total length [mm]	Particularity	Profile	Increments [mm]	Type of serration	Clamping range [mm]	In stock	Material no.	
32	47	Front nose extension	●	1	Smooth	4,0 - 7,0	✓	sk32bzir4,0-7,0	
					Radial grooves	8	✓	sk32bzir8,0	
						9,0 - 10,0	✓	sk32bzir9,0-10,0	
			Radial and axial grooves		11 - 32	✓	sk32bzir11,0-32,0		
			■		Smooth	7	✓	sk32bziv7,0	
						Radial grooves	8 - 10	✓	sk32bziv8,0-10,0
							11 - 22	✓	sk32bziv11,0-22,0
			⬡		Smooth	7	✓	sk32bzis7,0	
						Radial grooves	8 - 10	✓	sk32bzis8,0-10,0
11 - 27	✓	sk32bzis11,0-27,0							
42	47	Front nose extension	●	0,5	Smooth	4,0 - 7,5	✓	sk42bzir4,0-7,5	
					Radial grooves	8	✓	sk42bzir8,0	
						8,5 - 10,5	✓	sk42bzir8,5-10,5	
			Radial and axial grooves		11 - 42	✓	sk42bzir11,0-42,0		
			■		Smooth	7	✓	sk42bziv7,0	
						Radial grooves	8 - 10	✓	sk42bziv8,0-10,0
							11 - 28	✓	sk42bziv11,0-28,0
			⬡		Smooth	7	✓	sk42bzis7,0	
						Radial grooves	8 - 10	✓	sk42bzis8,0-10,0
11 - 37	✓	sk42bzis11,0-37,0							
52	46	Reduced front nose	●	0,5	Smooth	4,0 - 7,5	✓	sk52bzigr4,0-7,5	
					Radial grooves	8	✓	sk52bzir8,0	
						8,5 - 10,5	✓	sk52bzir8,5-10,5	
			Radial and axial grooves		11 - 52	✓	sk52bzir11,0-52,0		
			■		Radial grooves	8 - 10	✓	sk52bziv8,0-10,0	
						11 - 36	✓	sk52bziv11,0-36,0	
						Smooth	7	✓	sk52bzis7,0
			Radial grooves		8 - 10		✓	sk52bzis8,0-10,0	
					11 - 45		✓	sk52bzis11,0-45,0	
65	58	Front nose extension	●	0,5	Smooth	4,0 - 7,5	✓	sk65bzir4,0-7,5	
					Radial grooves	8	✓	sk65bzir8,0	
						8,5 - 10,5	✓	sk65bzir8,5-10,5	
			Radial and axial grooves		11 - 65	✓	sk65bzir11,0-65,0		
			■		Radial grooves	8 - 10	✓	sk65bziv8,0-10,0	
						11 - 45	✓	sk65bziv11,0-45,0	
						Smooth	7	✓	sk65bzis7,0
			Radial grooves		8 - 10		✓	sk65bzis8,0-10,0	
					11 - 55		✓	sk65bzis11,0-55,0	
80	53	Reduced front nose	●	1	Smooth	4 - 7	✓	sk80bzigr4,0-7,0	
					Radial grooves	8	✓	sk80bzir8,0	
						9 - 10	✓	sk80bzir9,0-10,0	
			Radial and axial grooves		11 - 80	✓	sk80bzir11,0-80,0		
			■		Radial grooves	8 - 10	✓	sk80bziv8,0-10,0	
						11 - 56	✓	sk80bziv11,0-56,0	
						Smooth	7	✓	sk80bzis7,0
			Radial grooves		8 - 10		✓	sk80bzis8,0-10,0	
					11 - 68		✓	sk80bzis11,0-68,0	
100	59	No front nose	●	1	Radial grooves	15 - 24	-	sk100bzi15,0-24,0	
					Radial and axial grooves	25 - 41	-	sk100bzi25,0-41,0	
						42 - 100	✓	sk100bzi42,0-100,0	
			■		Radial grooves	50 - 70	-	sk100bzi50,0-70,0	
					⬡	Radial grooves	50 - 86	✓	sk100bzi50,0-86,0



Size	Total length [mm]	Particularity	Profile	Increments [mm]	Type of serration	Clamping range [mm]	In stock	Material no.
125	67	Reduced front nose	●	1	Radial and axial grooves	25 - 125	-	sk125bzr25,0-125,0
			■		Radial grooves	25 - 87	-	sk125bzbv25,0-87,0
			⬡		Radial grooves	25 - 107	-	sk125bzs25,0-107,0
160	63	Reduced front nose	●	1	Radial and axial grooves	27 - 160	-	sk160bzr27,0-160,0
			■		Radial grooves	27 - 112	-	sk160bzbv27,0-112,0
			⬡		Radial grooves	27 - 137	-	sk160bzs27,0-137,0

Explanations of types of clamping surface on the previous pages.

*Clamping range 36 mm and 37 mm have restricted clamping forces.

Clamping head BZIG. For clamping of finished material

Size	Total length [mm]	Particularity	Profile	Increments [mm]	Type of serration	Clamping range [mm]	In stock	Material no.
32	44	Reduced front nose	●	1	Smooth	3 - 8	✓	sk32bzigr3,0-8,0
						9 - 32	✓	sk32bzigr9,0-32,0
42	42	Reduced front nose	●	0,5	Smooth	3 - 8	✓	sk42bzigr3,0-8,0
						8,5 - 42	✓	sk42bzigr8,5-42,0
52	46	Reduced front nose	●	0,5	Smooth	3 - 8	✓	sk52bzigr3,0-8,0
						8,5 - 52	✓	sk52bzigr8,5-52,0
65	53	Reduced front nose	●	0,5	Smooth	3 - 8	✓	sk65bzigr3,0-8,0
						8,5 - 65	✓	sk65bzigr8,5-65,0
			⬡	1		7 - 10	-	sk65bzigs7,0-10,0
			11 - 55			-	sk65bzigs11,0-55,0	
80	53	Reduced front nose	●	1	Smooth	4 - 8	✓	sk80bzigr4,0-8,0
						9 - 80	✓	sk80bzigr9,0-80,0
100	59	No front nose	●	1	Smooth	15 - 41	-	sk100bzgr15,0-41,0
						42 - 100	✓	sk100bzgr42,0-100,0
125	67	Reduced front nose	●	1	Smooth	25 - 125	-	sk125bzgr25,0-125,0
160	63	Reduced front nose	●	1	Smooth	27 - 160	-	sk160bzgr27,0-160,0

Explanations of the types of clamping surfaces on the previous page.

CLAMPING HEADS

Clamping heads RD



Clamping head BZI HSW. For machining to size

Size	Total length [mm]	Particularity	Profile	Base bore Ø [mm]	Max. axial drawtube force [pull / push] [kN]	In stock	Material no.
32	44	Face and clamping surface 40 HRC	●	5	15	✓	10010676
				10		✓	10010674
				20		✓	10010675
42	42	Face and clamping surface 40 HRC	●	8	18	✓	10010960
				15		✓	10010958
				30		✓	10010959
52	46	Face and clamping surface 40 HRC	●	8	34	✓	10011274
				15		✓	10011272
				30		✓	10011273
65	53	Face and clamping surface 40 HRC	●	3	45	✓	10011663
				5		✓	10011665
				8		✓	10011666
				20		✓	10011662
				40		✓	10011664
80	53	Face and clamping surface 40 HRC	●	8	44	✓	10012160
				20		✓	10012157
				40		✓	10012158
				60		✓	10012159
100	59	Face and clamping surface 40 HRC	●	15	50	✓	10009565
				30		✓	10009566
				45		✓	10009567
				65		✓	10009568
				90		✓	10009569
125	67	Face and clamping surface 40 HRC	●	25	70	✓	10009819
				45		✓	10009821
				70		✓	10009822
				100		✓	10009818
160	63	Face and clamping surface 40 HRC	●	27	100	✓	10010206
				65		✓	10010207
				100		✓	10010204
				130		✓	10010205

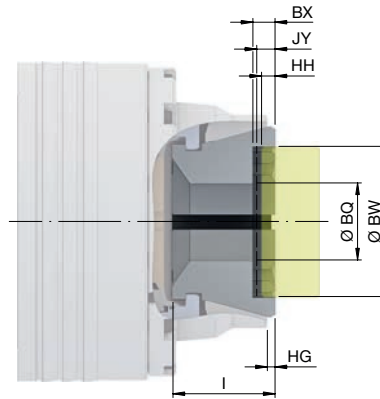
Loading ring [for clamping head BZI HSW]

Size	In stock	Material no.
32	✓	10006621
42	✓	10006623
42/52	✓	10006624
65	✓	10006625
80	✓	10006626
100	✓	10006617
125	✓	10006619
160	✓	10006620

Please note:
 ar42/52: for clamping heads with two change bores per segment
 ar42: for clamping heads with one change bore per segment



Max. permissible counter bores when manufacturing to order and for HSW clamping heads. Technical data



Size	Capacity	Length	Clamping head protrusion length	Variant 1 [max. turning Ø]				Variant 2 [max. clamping depth]			
				Max. permissible turning Ø	Max. permissible turning depth	Min. turning depth	Min. clamping depth of workpiece	Max. permissible turning Ø	Max. permissible turning depth	Min. turning depth	Min. clamping depth of workpiece
				BQ	BW	BX	JY	HH	BW	BX	JY
SK 32 BZI	32	47	6	40	14	13	9	35,5	24	13	9
SK 32 BZIG	32	44	3	40	11	10	6	35,5	21	10	6
SK 32 HSW	32	44	3	40	11	10	6	35,5	21	10	6
SK 42 BZI	42	47	9	62	17	15,5	12	45	27	15,5	12
SK 42 BZIG	42	42	4	62	12	10,5	7	45	22	10,5	7
SK 42 HSW	42	42	4	62	12	10,5	7	45	22	10,5	7
SK 52 BZI / SK 52 BZIG	52	46	4	62	14	10,5	7	53,6	18	10,5	7
SK 52 HSW	52	46	4	62	14	10,5	7	53,6	18	10,5	7
SK 65 BZI	65	58	9	78	19	15,5	12	66	34	15,5	12
SK 65 BZIG	65	53	4	78	14	10,5	7	66	29	10,5	7
SK 65 HSW	65	53	4	78	14	10,5	7	66	29	10,5	7
SK 80 BZI / SK 80 BZIG	80	53	4	91	14	10,5	7	81	30	10,5	7
SK 80 HSW	80	53	4	91	14	10,5	7	81	30	10,5	7
SK 100 BZ / SK 100 BZG	100	59	0	117	20	9	3	103	31	9	3
SK 100 HSW	100	59	0	117	20	16	10	103	31	9	3
SK 120 BZ	120	61	3	152	18	9,5	6	141	30	9,5	6
SK 120 HSW	120	61	3	152	18	13,5	10	136	30	9,5	6
SK 125 BZ / SK 125 BZG	127	67	4	167	19	14	7	151	36	14	7
SK 125 HSW	127	67	4	167	19	19	7	151	36	19	12
SK 140 BZ	140	63	5	170	18	12	8	144	36	12	8
SK 140 HSW	140	63	5	170	18	17	13	144	36	17	13
SK 160 BZ	160	63	5	210	12	12	8	188	32	12	8
SK 160 HSW	160	63	5	177	32	14	8	187	32	17	13