



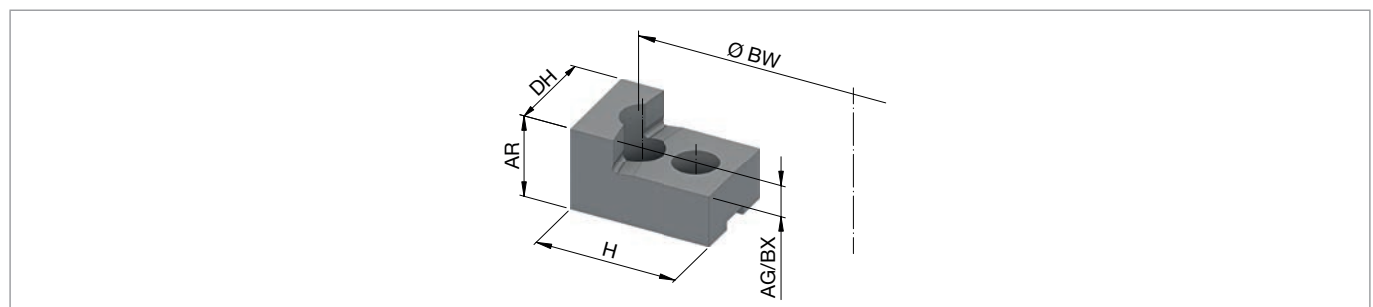
JAWS

Jaws for jaw modules

Overview jaws for 3-jaw module

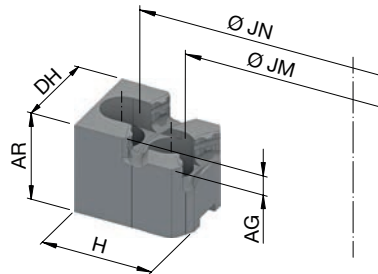
	Top jaws, soft	Radial grooved jaws
		
Description	Soft top jaws for in-house machining and in-house milling	Hard radial grooved jaws with max. clamping range
Sizes	145, 215	145, 215
Workpiece condition	Finished part	Raw material
Clamping possibilities	O.D. clamping	O.D. clamping
In-house machining	Yes	No
Workpiece geometry	Round	Round

Top jaws, soft. Technical data



Product	Top jaws, soft	
Size	145/215	
Jaw connection	1,5 x 60° [serration]	
Length [mm]	H	65
Jaw width [mm]	DH	45
Jaw height [mm]	AR	40
Clamping range for size 145 [mm]	25 - 140	
Clamping range for size 215 [mm]	25 - 209	
Max. clamping length [mm]	AG	15
Max. permissible turning Ø [mm]	BW	140 / 209
Max. permissible turning depth [mm]	BX	15
In stock	✓	
Material no.	10000734	

Radial grooved jaws. Technical data


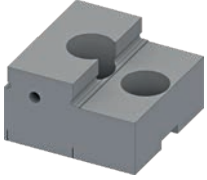


Product	Radial grooved jaws					
Size	145/215					
Jaw connection	1,5 x 60° [serration]					
Length [mm]	H	63		55		
Jaw width [mm]	DH	45				
Jaw height [mm]	AR	46				
Clamping range at counter bore 1 size 145 [mm]	JM	25 - 34	35 - 43	43 - 52	52 - 60	62 - 71
Clamping range at counter bore 2 size 145 [mm]	JN	70 - 79	79 - 89	89 - 99	97 - 107	106 - 116
Clamping range at counter bore 1 size 215 [mm]	JM	25 - 103	35 - 111	43 - 119	52 - 126	62 - 137
Clamping range at counter bore 2 size 215 [mm]	JN	70 - 148	79 - 158	89 - 168	97 - 177	106 - 187
Ø Counter bore 1 side 1 [mm]	JM	25	35	43	52	62
Ø Counter bore 2 side 1 [mm]	JN	70	79	89	97	106
Max. clamping length [mm]	AG	10				
In stock		✓	✓	✓	✓	✓
Material no.		10000725	10000730	10000731	10000728	10000732

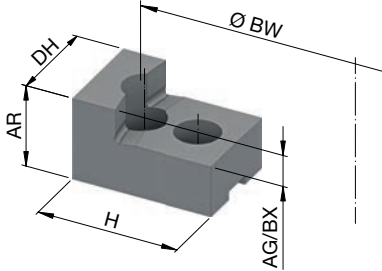
JAWS

Jaws for jaw modules

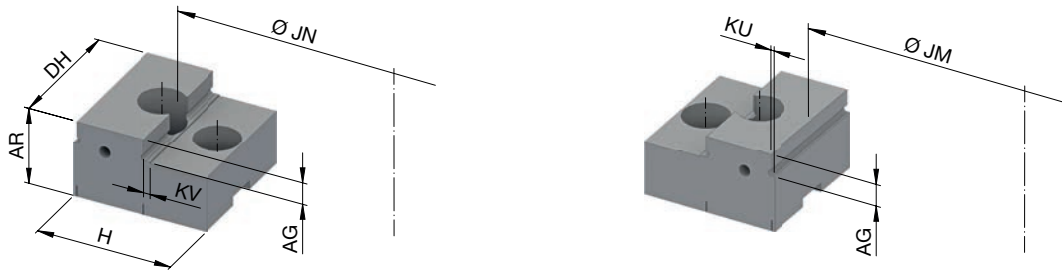
Overview jaws for 2-jaw module

	Top jaws, soft	Reversible stepped jaws, hard
		
Description	Soft top jaws for in-house machining and in-house milling	Hard reversible stepped jaws with large clamping range
Sizes	215	215
Workpiece condition	Finished part	Raw material
Clamping possibilities	O.D. clamping	O.D. clamping
In-house machining	Yes	No
Workpiece geometry	Any	Any

Top jaws, soft. Technical data

	
Product	Top jaws, soft
Size	215
Jaw connection	1,5 x 60° [serration]
Length [mm]	H 65
Jaw width [mm]	DH 45
Jaw height [mm]	AR 40
Clamping range [mm]	25 - 209
Max. clamping length [mm]	AG 15
Max. permissible turning Ø [mm]	BW 209
Max. permissible turning depth [mm]	BX 15
In stock	✓
Material no.	10016853

Reversible stepped jaws, soft. Technische Daten



Product	Reversible stepped jaws, soft	
Size	215	
Jaw connection	1,5 x 60° [serration]	
Length [mm]	H	60
Jaw width [mm]	DH	60
Jaw height [mm]	AR	36
Clamping range at counter bore 1 size 215 [mm]	JM	15 - 96
Clamping range at counter bore 2 size 215 [mm]	JN	95 - 176
Ø Counter bore 1 side 1 [mm]	JM	15
Ø Counter bore 2 side 1 [mm]	JN	95
Support surface for counter bore 1 [mm]	KU	1,5
Support surface for counter bore 2 [mm]	KV	3
Max. clamping length [mm]	AG	10
In stock	✓	
Material no.	10016852	