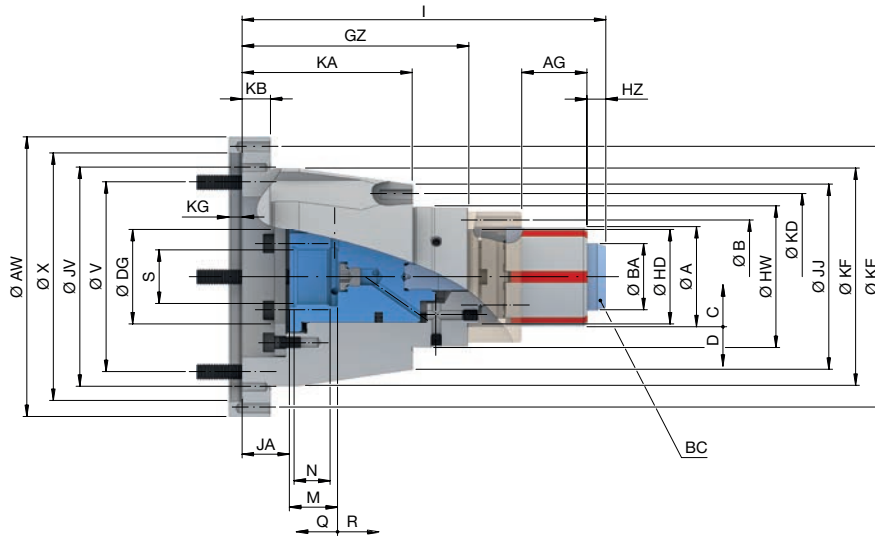




MANDO G211. Technical data and order overview



Size		0	1	2	3	4
Clamping range [mm]	A	20 – 28	26 – 38	36 – 54	50 – 80	69 – 120
Run-out ≤ [mm]				0,010		
Max. radial clamping force [kN]			42	85	105	150
Max. axial drawtube force [pull / push] [kN]			10	20	25	35
Max. clamping length [mm]	AG	22	26	43	49	59
Reserve stroke in Ø [mm]	D		0,3		0,4	0,5
Release stroke in Ø [mm]	C		0,4		0,5	0,6
RPM n max. [1/min.]				600		
Reserve stroke axial [mm]	Q		1,5		2	2,5
Release stroke axial [mm]	R		2		2,5	3
Max. actuating torque [Nm]	BC	10	20	25	55	
Draw bolt Ø [mm]	BA	19	25	35	49	68
Draw bolt head height [mm]	HZ	7,5		10		16
Bolt hole circle end-stop	B	LK Ø 42 [3 x M4]	LK Ø 50 [3 x M4]	LK Ø 60 [3 x M4]	LK Ø 75 [3 x M4]	
Bolt hole circle end-stop 2	KD	LK Ø 65 [3 x M6]	LK Ø 72 [3 x M6]	LK Ø 88 [3 x M6]	LK Ø 102 [3 x M6]	LK Ø 88 [3 x M5]
Bolt hole circle end-stop 3	KE			LK Ø 138 [3 x M6]		
Total length [mm]	I	171	178,5	192,5	198,5	213
Connecting thread inside	S			M30 x 1,5		
Distance [mm]	JA			25		
Depth of thread [mm]	M			25,5		
Thread length [mm]	N			19		
Max. drawtube Ø [mm]	DG		50			60
Minimum length of DG [mm]				13		
Interface	X			Ø 131 H7		
Bolt hole circle	V			LK Ø 116 [6 x M8]		
Bolt hole circle 2	JV			LK Ø 116 [6 x M5]		
Outer Ø [mm]	AW			148		
Outer Ø 2 [mm]	HD	32 f8	38 f8	50 f8	62 f8	75 f8
Outer Ø 3 [mm]	HW	50 f8	58 f8	75 f8	85 f8	
Outer Ø 4 [mm]	JJ	75	82	98	114	115
Outer Ø 5 [mm]	KF			115 f8		
End-stop height [mm]	GZ		125		120	
End-stop height 2 [mm]	KA		90		70	90
End-stop height 3 [mm]	KB			15		
Fitting depth [mm]	KG			7		
Weight [kg]			5,9	7,5	7,7	9,7
In stock		✓	✓	✓	✓	✓
Material no.		10001051	10001052	10001053	10001054	10001055

Customer-specific flanges and drawtube adapters available upon request.



Scope of delivery

- Mandrel without spindle flange
- Draw bolt