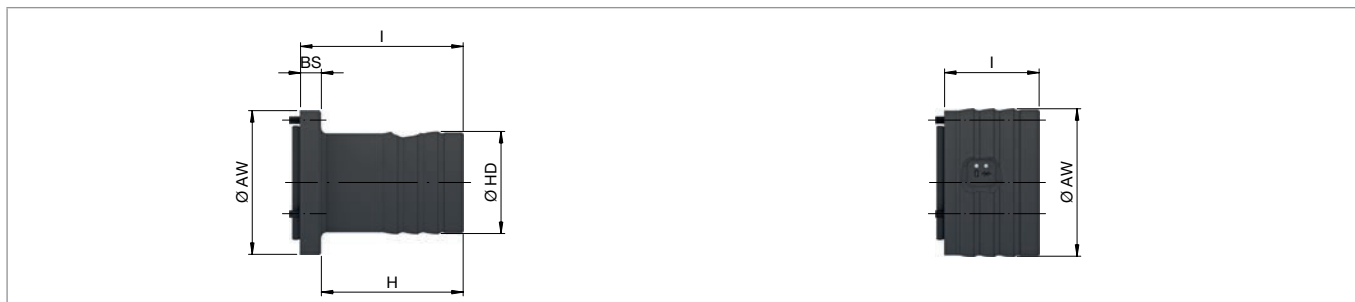


TEST AND MEASUREMENT TECHNOLOGY

TESTit clamping force measuring device

IT module. Technical data



Product variants		Standard		Short model	
Total length [mm]	l	86		50	
Outer Ø [mm]	AW	76		78	
Outer Ø 2 [mm]	HD	54			
Length [mm]	H	75			
Length 2 [mm]	BS	11			
Variant		With display device	Without display device	With display device	Without display device
In stock		✓	✓	-	-
Material no.		10014933	10014934	10017319	10019129

Please note: A TEST module is not included. At least one TEST module is needed for a measurement with TESTit.

System requirements: Operating system Windows 10, version 1709 or higher.

Scope of delivery without display device

- IT module [basic unit], battery operating time approx. 8 h
- Measurement and archiving software [USB-Stick]
- Bluetooth® stick
- Storage case

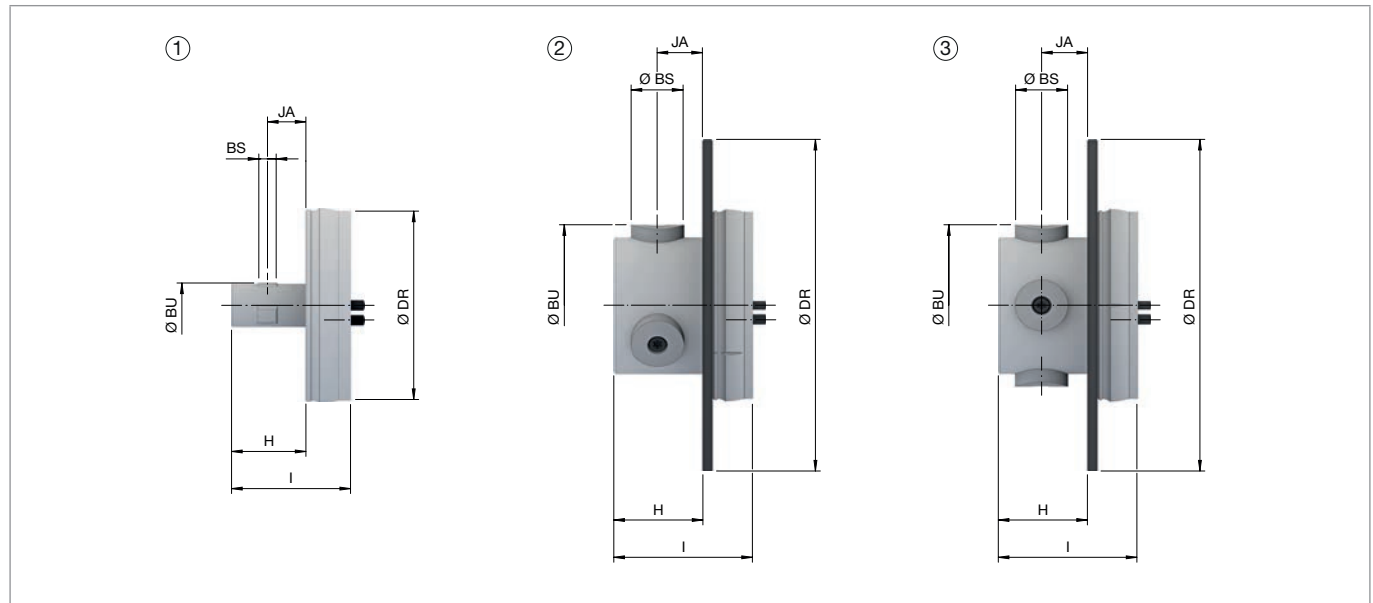
Scope of delivery with display device

- IT module [basic unit], battery operating time approx. 8 h
- Tablet with 10 inch display
- Measurement and archiving software
- Storage case

TEST AND MEASUREMENT TECHNOLOGY

TESTit clamping force measuring device

TEST modules for O.D. clamping. Technical data



Size		AS18	AS32	AS65	AS65-30kN	AS65-4
Clamping Ø [mm]	BU	18	32	65	65	65
Type		1		2		3
Measuring range attribute [4 measuring points] [kN]						0 – 150
Measuring range attribute [3 measuring points] [kN]		0 – 75	0 – 140	0 – 225	0 - 30	
Measuring range centric [2 measuring points] [kN]			0 – 90	0 – 150	0 - 15	0 – 150
Measurement accuracy of the final value ± [%]				≤ 3		
RPM n max. [1/min.]		10000	8000		6000	
Total length [mm]	I		48		56	
Outer Ø [mm]	DR	76		134		
Length [mm]	H	30	28		36	
Length 2 [mm]	BS	7	14		21	
Distance [mm]	JA	15,5	14,5		18,5	
In stock		✓	✓	✓	✓	✓
Material no.		10014843	10014845	10014846	10017405	10014847

Scope of delivery

- TEST module incl. one set of measuring bolts in the specified clamping diameter [except for AS18]
- Service Pass
- Storage case

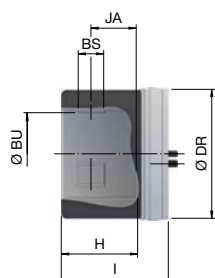
Plug gauge

Product	Figure	Suitable for	Clamping Ø [mm]	Application	In stock	Material no.
Plug gauge		AS32	32	For 2-point clamping force measurement	✓	10015181
			42	For 3-point clamping force measurement	✓	10015184
			52		-	10015185
			65		✓	10015187
		AS65 AS65-30kN	80	For 3-point and 2-point clamping force measurement	✓	10015188
			100		✓	10015190
			120		-	10015191
		AS65-4	65	For 4-point and 2-point clamping force measurement	✓	10015193
			120		✓	10015195
					✓	10015198

TEST AND MEASUREMENT TECHNOLOGY

TESTit clamping force measuring device

TEST modules for I.D. clamping. Technical data

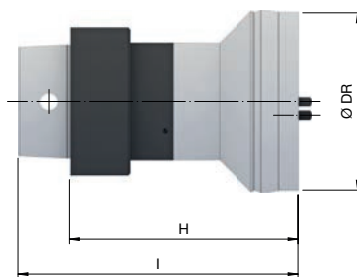


Size		IS28	IS50	IS70
Clamping Ø [mm]	BU	28	50	70
Measuring range attribute [3 measuring points] [kN]		0 – 100	0 – 200	0 – 240
Measurement accuracy of the final value ± [%]		≤ 5		
RPM n max. [1/min.]		7000		6000
Total length [mm]	I	53	63	68
Outer Ø [mm]	DR	76		95,5
Length [mm]	H	35	45	50
Length 2 [mm]	BS	15		19
Distance [mm]	JA	21,5	27,5	30,5
In stock		✓	✓	✓
Material no.		10014840	10014841	10014842

Scope of delivery

- TEST module
- Service Pass
- Storage case

TEST module for draw-in force HTS [hollow tapered shank]. Technical data



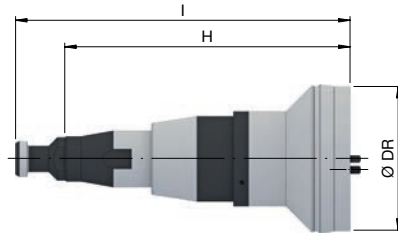
Size		HSK40	HSK50	HSK63	HSK100
Max. measuring range axial [kN]		20		50	90
Measurement accuracy of the final value ± [%]		≤ 3			
Total length [mm]	I	105	115,5	120	188,5
Outer Ø [mm]	DR	76		100	
Length [mm]	H	91	98		138,5
In stock		-	-	✓	-
Material no.		10015203	10015204	10014848	10015205

Scope of delivery

- TEST module
- Service Pass
- Storage case

TEST AND MEASUREMENT TECHNOLOGY
TESTit clamping force measuring device

TEST module for draw-in force SK [clamping head]. Technical data

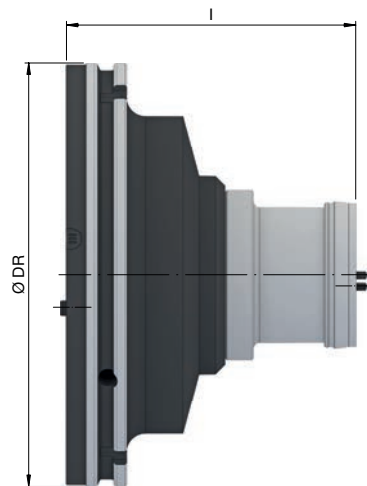


Size	SK40	
Max. measuring range axial [kN]	25	
Measurement accuracy of the final value ± [%]	≤ 3	
Total length [mm]	L	177
Outer Ø [mm]	DR	76
Length [mm]	H	151
In stock	-	
Material no.	10019131	

Scope of delivery

- TEST module
- Service Pass
- Storage case

TEST module for draw-in force centroteX S / AC. Technical data



Variant	centroteX S / AC	
Max. measuring range axial [kN]	90	
Measurement accuracy of the final value ± [%]	≤ 3	
Total length [mm]	L	153
Outer Ø [mm]	DR	224
In stock	-	
Material no.	10018275	

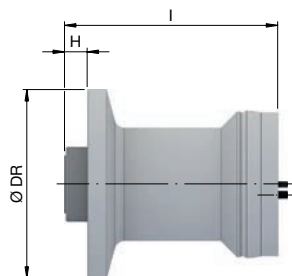
Scope of delivery

- TEST module
- Service Pass
- Storage case

TEST AND MEASUREMENT TECHNOLOGY

TESTit clamping force measuring device

TEST module for zero-point clamping systems. Technical data



Variant	ZP	
Max. measuring range axial [kN]	35	
Measurement accuracy of the final value ± [%]	≤ 3	
Total length [mm]	I	113
Outer Ø [mm]	DR	100
Length [mm]	H	12
In stock	-	
Material no.	10018284	

A measuring adapter is also needed [not included].

On request, we can offer a measuring adapter for any zero-point clamping system on the market.

Scope of delivery

- TEST module
- Service Pass
- Storage case

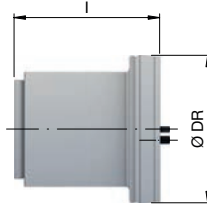
Measuring adapter

Product	Figure	Suitable for	Application	In stock	Material no.
Measuring adapter		TEST Modul ZP	For DockLock safe 20	-	10018730
			For DockLock safe 30	-	10018731
			For DockLock autosafe 30-752170-31 LA	-	10018732
			For DockLock autosafe 30-752170-60 LA	-	10018733
			For DockLock safe 50	-	10018734
			For DockLock airline 755136 LA + airline 755142 + airline 755120	-	10018736

TEST AND MEASUREMENT TECHNOLOGY

TESTit clamping force measuring device

TEST module for axial force mandrel T211. Technical data



Variant		ZB
Axial measurement range [kN]		70
Measurement accuracy of the final value ± [%]		≤ 3
Outer Ø [mm]	DR	78
Total length [mm]	l	77
In stock		-
Material no.		10018282

You will also need a measuring adapter that fits your mandrel [not included].

Scope of delivery

- TEST module
- Service Pass
- Storage case

Measuring adapter

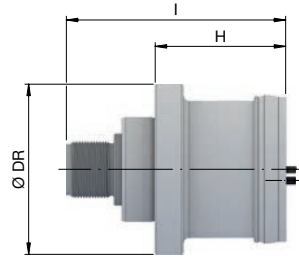
Product	Figure	Suitable for	Application	Size	In stock	Material no.
Measuring adapter		TEST module ZB	MANDO / MAXXOS mandrel	0, B	-	10019132
				1, C	-	10019133
				2	-	10019134
				3	-	10019135
				4	-	10019036
				5	-	10019136
				6	-	10019137
				7	-	10019138

The measuring adapters are designed to fit the MAXXOS mandrel in size B and C only.

TEST AND MEASUREMENT TECHNOLOGY

TESTit clamping force measuring device

TEST module for axial force drawtube. Technical data



Variant	ZR	
Axial measurement range [kN]	90	
Measurement accuracy of the final value \pm [%]	≤ 3	
Total length [mm]	I	116
Outer \varnothing [mm]	DR	90
Length [mm]	H	69
In stock	-	
Material no.	10018276	

In addition, a threaded adapter and a flange are needed [not included].
On request we can offer a compatible threaded adapter and flange for every spindle.

Scope of delivery

- TEST module
- Service Pass
- Storage case