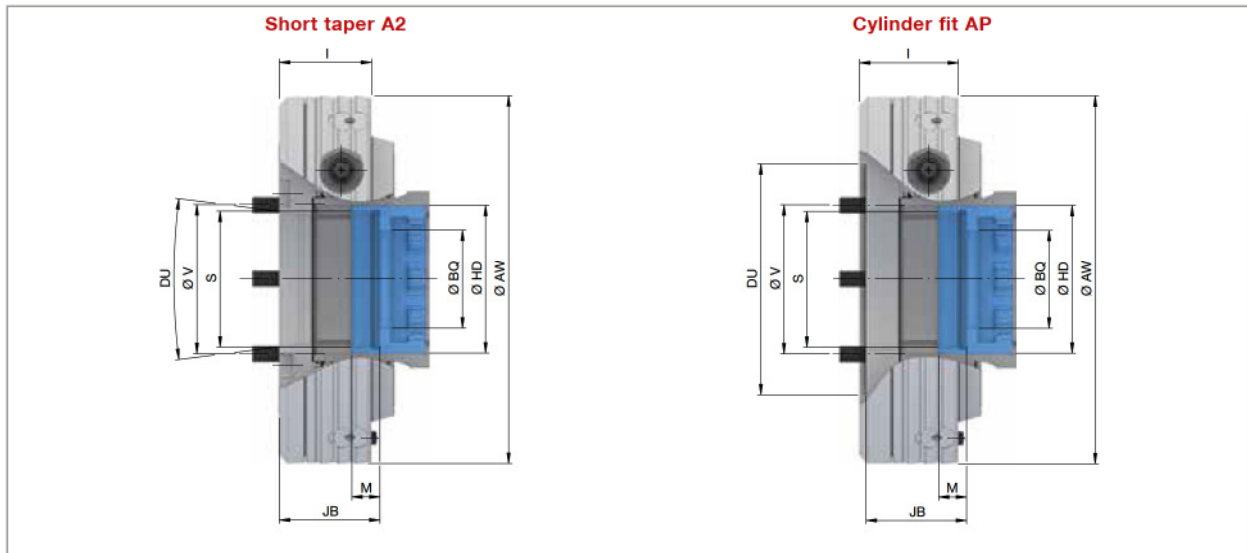




centroteX S. Machine adapter with short taper / cylinder fit



Spindle nose	DU	A2-5	A2-6	AP140	AP170
Outer Ø [mm]	AW	224			
Ø Capacity [mm]	BQ	52			
Repeatability \leq [mm]		0,003			
Outer Ø 2 [mm]	HD	90			
Connecting thread inside	S	M85 x 2			
Depth of thread [mm]	M	17			
Thread position in the front end-stop [mm]	JB	61,5			
Bolt hole circle	V	LK Ø 104,8 [6 x M10]	LK Ø 133,4 [6 x M12]	LK Ø 104,8 [6 x M10]	LK Ø 133,4 [6 x M12]
Total length [mm]	I	56		60	
Weight [kg]		15,8	15,3	16,5	15,8
In stock		✓	✓	✓	✓
Order no.		10015365	10015370	10015373	10015374

A2-5 / A2-6: Machine spindle standard DIN 702-1.

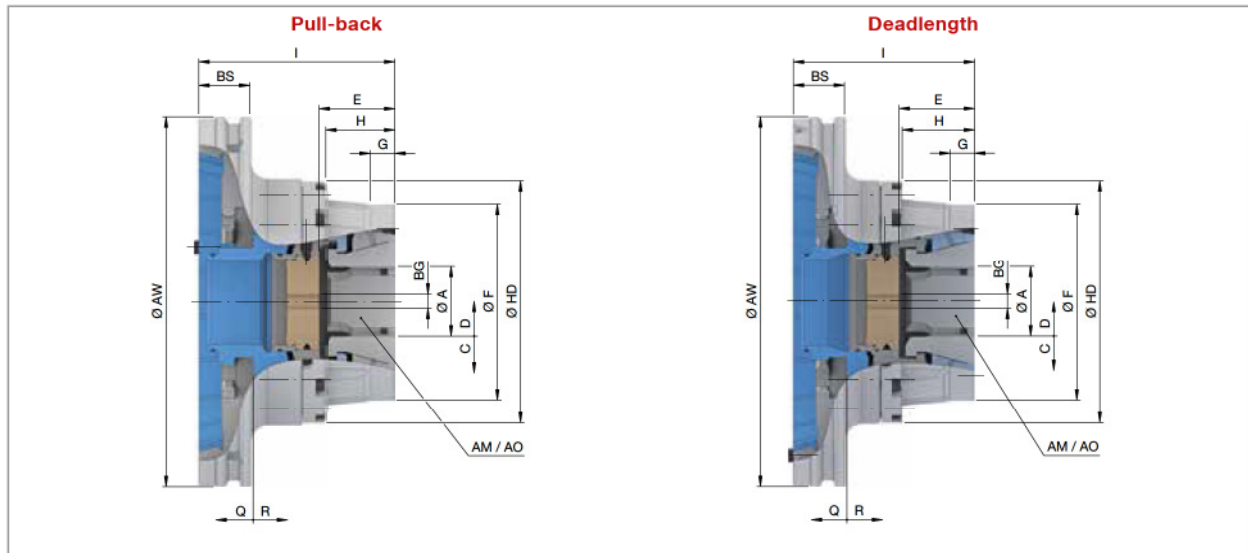
Scope of delivery

- Machine adapter
- Bayonet coupling
- Fit-on wrench socket for actuation tool

QUICK CHANGE-OVER SYSTEMS

centroteX S

centroteX S. Clamping device adapter + TOPlus mini



Variant	Pull-back				Deadlength				
Size	26	40	52	65	26	40	52	65	
Max. radial clamping force [kN]	35	103	108	120	35	103	108	120	
Max. axial drawtube force [pull / push] [kN]	16	33	40	45	16	33	40	45	
RPM n max. [1/min.]	6000								
Clamping range [mm]	A 3 – 26	3 – 40	3 – 52	3 – 65	3 – 26	3 – 40	3 – 52	3 – 65	
Release stroke in Ø [mm]	C 1	0,6			1	0,6			
Reserve stroke in Ø [mm]	D 0,6	0,8		1	0,6	0,8	1		
Range / recommended workpiece tolerance [mm]	± 0,3		± 0,5		± 0,3		± 0,5		
End-stop depth [mm]	E 33,8	48,1	46	54	33,8	47,7	45,8	54	
End-stop thread size [M]	BG 8	10		12	8	10		12	
Location front end-stop	F Ø 67 f7	Ø 91 f7	Ø 119 f7	Ø 129 f7	Ø 74 f7	Ø 99 f7	Ø 119 f7	Ø 137 f7	
Centering length [mm]	G 15	20	15		20		15	20	
Length [mm]	H 31	47	42	49	31	47	44	50	
Length 2 [mm]	BS	32							
Total length [mm]	I 100,5	115	119	125	107	117,5	110	124	
Reserve stroke axial [mm]	Q 1	2			1	2			
Release stroke axial [mm]	R	2		2,5	2		2,5		
Clamping head serrated	AM TOP 26	TOP 40	TOP 52	TOP 65	TOP 26	TOP 40	TOP 52	TOP 65	
Clamping head smooth	AO TOP 26 G	TOP 40 G	TOP 52 G	TOP 65 G	TOP 26 G	TOP 40 G	TOP 52 G	TOP 65 G	
Outer Ø [mm]	AW	224							
Outer Ø 2 [mm]	HD	113	131	147	160	113	132	147	166
Weight [kg]		10	11	13	14	10	12	13	15
In stock		✓	✓	✓	✓	✓	✓	✓	
Order no.	10015296	10015297	10015298	10015301	10015303	10015305	10015306	10015308	

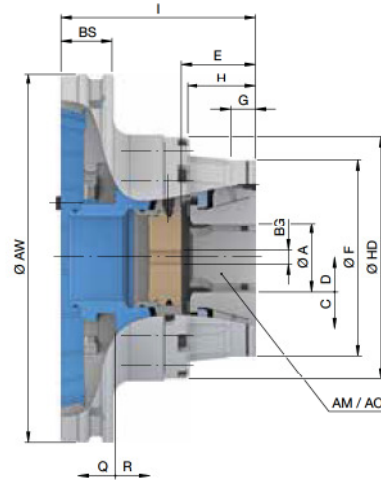
You will find matching clamping heads and other accessories in our main catalogue or on www.hainbuch.com.

Scope of delivery

- Clamping device adapter
- Chuck
- Base end-stop



centroteX S. Clamping device adapter + TOPlus premium



Variant	Pull-back			
Size	26	40	52	65
Max. radial clamping force [kN]	35	103	108	120
Max. axial drawtube force [pull / push] [kN]	16	33	40	45
RPM n max. [1/min.]	6000			
Clamping range [mm]	A 3 – 26	3 – 40	3 – 52	3 – 65
Release stroke in \varnothing [mm]	C 1		0,6	
Reserve stroke in \varnothing [mm]	D 0,6		0,8	1
Range / recommended workpiece tolerance [mm]	$\pm 0,3$		$\pm 0,5$	
End-stop depth [mm]	E 33,8	48,1	46	54
End-stop thread size [M]	BG 8		10	12
Location front end-stop	F $\varnothing 67 f7$	$\varnothing 91 f7$	$\varnothing 119 f7$	$\varnothing 129 f7$
Centering length [mm]	G 15	20	15	20
Length [mm]	H 31	47	42	49
Length 2 [mm]	BS 32			
Total length [mm]	I 100,5	115	119	125
Reserve stroke axial [mm]	Q 1		2	
Release stroke axial [mm]	R 2		2,5	
Clamping head serrated	AM TOP 26	TOP 40	TOP 52	TOP 65
Clamping head smooth	AO TOP 26 G TOP 26 G premium	TOP 40 G TOP 40 G premium	TOP 52 G TOP 52 G premium	TOP 65 G TOP 65 G premium
Outer \varnothing [mm]	AW 224			
Outer $\varnothing 2$ [mm]	HD 113	131	147	160
Weight [kg]	10	11	13	14
In stock	✓	✓	✓	✓
Order no.	10017796	10017797	10017798	10017799

You will find matching clamping heads and other accessories in our main catalogue or on www.hainbuch.com.

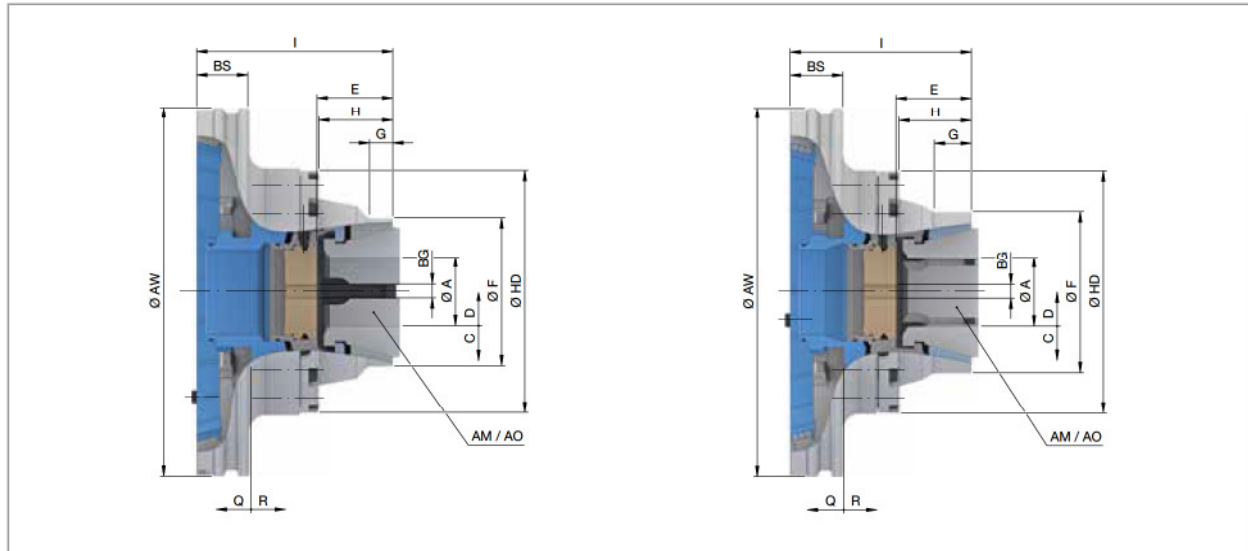
Scope of delivery

- Clamping device adapter
- Chuck
- Base end-stop

QUICK CHANGE-OVER SYSTEMS

centroteX S

centroteX S. Clamping device adapter + SPANNTOP mini



Variant	Pull-back				Deadlength			
Size	32	42	52	65	32	42	52	65
Max. radial clamping force [kN]	70	80	94	105	70	80	94	105
Max. axial drawtube force [pull / push] [kN]	25	35	40	45	25	35	40	45
RPM n max. [1/min.]	6000							
Clamping range [mm]	A 3 – 32	3 – 42	3 – 52	3 – 65	3 – 32	3 – 42	3 – 52	3 – 65
Release stroke in Ø [mm]	C 0,6							
Reserve stroke in Ø [mm]	D 0,8	1		0,8		1		
Range / recommended workpiece tolerance [mm]	± 0,3		± 0,5		± 0,3		± 0,5	
End-stop depth [mm]	E 45	42	46	54	45	42	46	54
End-stop thread size [M]	BG 10	10		12	10		12	
Location front end-stop	F Ø 66 f7	Ø 90 f7		Ø 111 f7	Ø 74 f7	Ø 90 f7	Ø 98 f7	Ø 119 f7
Centering length [mm]	G 17	15		18	15	25	23	22
Length [mm]	H 43	42	45	47	43	44		50
Length 2 [mm]	BS 31							
Total length [mm]	I 115,5	114	119	125	120	118	110	124
Reserve stroke axial [mm]	Q 2,5	2		3		2		
Release stroke axial [mm]	R 2,5							
Clamping head serrated	AM SK 32 BZI	SK 42 BZI	SK 52 EZI	SK 65 BZI	SK 32 BZI	SK 42 BZI	SK 52 BZI	SK 65 BZI
Clamping head smooth	AO SK 32 BZIG	SK 42 BZIG	SK 52 BZIG	SK 65 BZIG	SK 32 BZIG	SK 42 BZIG	SK 52 BZIG	SK 65 BZIG
Outer Ø [mm]	AW 224							
Outer Ø 2 [mm]	HD 129	127	147	160	127	137	147	166
Weight [kg]	11		13		11	12	11	13
In stock	✓	✓	✓	✓	✓	✓	✓	✓
Order no.	10015286	10015287	10015289	10015290	10015291	10015293	10015294	10015295

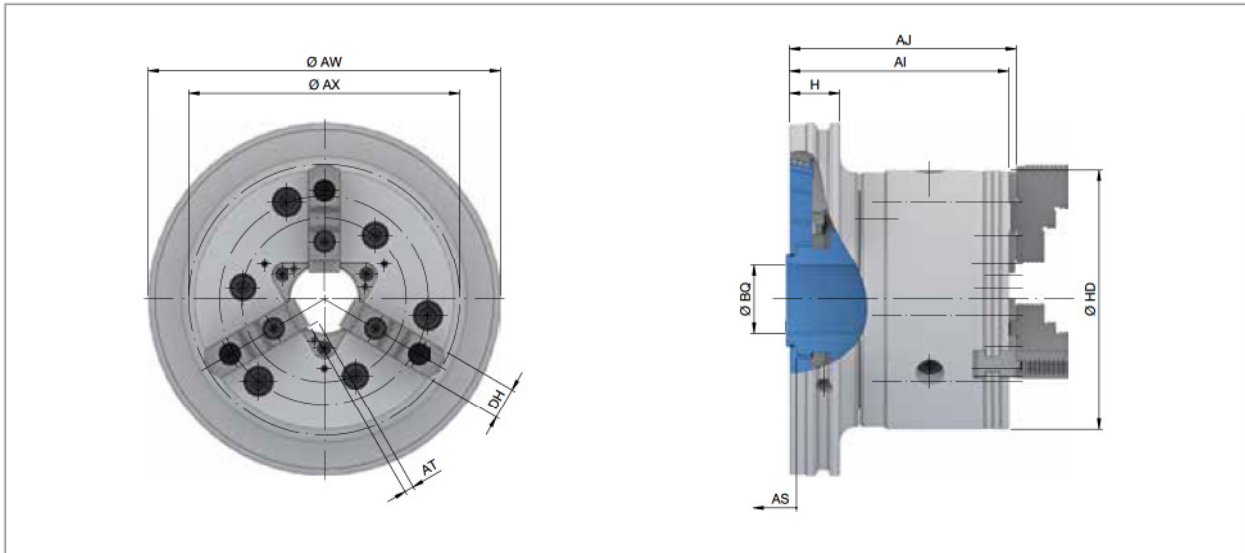
You will find matching clamping heads and other accessories in our main catalogue or on www.hainbuch.com.

Scope of delivery

- Clamping device adapter
- Chuck
- Base end-stop



centroteX S. Clamping device adapter + jaw chuck B-Top



Size	165	215
Max. radial clamping force [kN]	41	74
Max. axial drawtube force [pull / push] [kN]	30	46
RPM n max. [1/min.]	6000	5400
Stroke per jaw [mm]	AT	7,4
Jaw width [mm]	DH	22
Piston stroke [mm]	AS	25
Swing Ø	AX	191
Length [mm]	H	32
Outer Ø [mm]	AW	224
Outer Ø 2 [mm]	HD	215
Length without jaws [mm]	AI	143,1
Length with jaws [mm]	AJ	148,5
Ø Capacity [mm]	BQ	55
Weight [kg]		34
In stock	✓	✓
Order no.	10016705	10015364

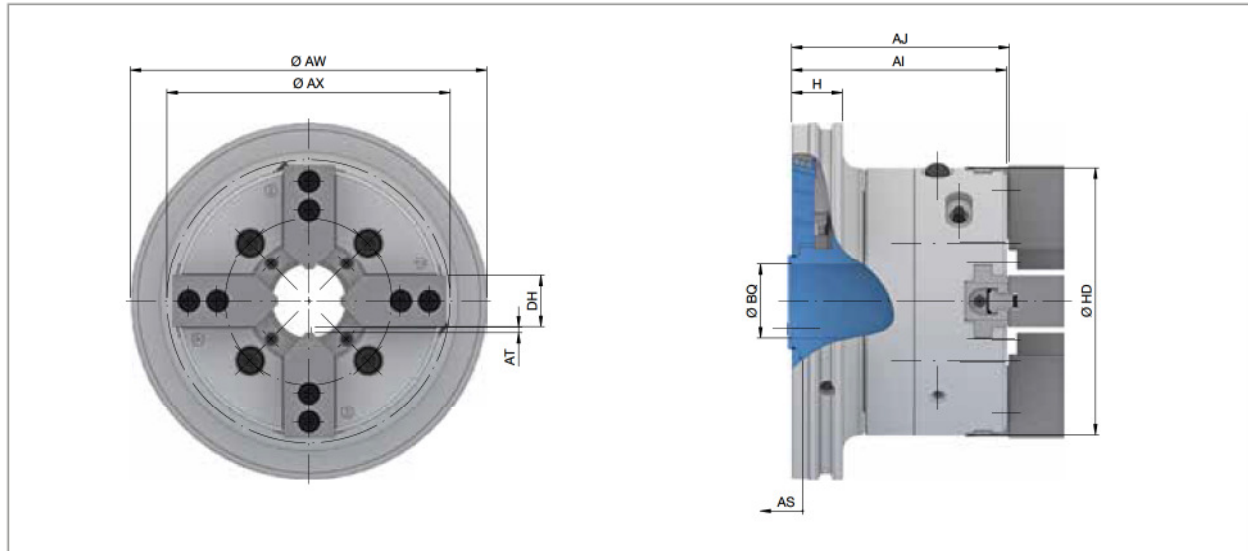
You will find matching jaws and other accessories in our main catalogue or on www.hainbuch.com.

Scope of delivery

- Clamping device adapter
- Jaw chuck
- Master jaws
- Jaw release wrench

QUICK CHANGE-OVER SYSTEMS
centroteX S

centroteX S. Clamping device adapter + InoFlex VT-S



Size		165	215
Variant			VT-S
Max. radial clamping force [kN]		52	100
Max. axial drawtube force [pull / push] [kN]		20	40
RPM n max. [1/min.]		5000	3900
Stroke per jaw [mm]	AT	3,4	4,3
Jaw width [mm]	DH	32	34
Piston stroke [mm]	AS	15	19
Swing Ø	AX	178	222
Length [mm]	H		32
Outer Ø [mm]	AW		224
Outer Ø 2 [mm]	HD	168	218
Length without jaws [mm]	AI	135,1	161,7
Length with jaws [mm]	AJ	136,6	163,2
Ø Capacity [mm]	BQ	46	52
Compensating stroke for each jaw [mm]		2,3	3,3
Weight [kg]		21	33
In stock		✓	✓
Order no.		10016706	10016708

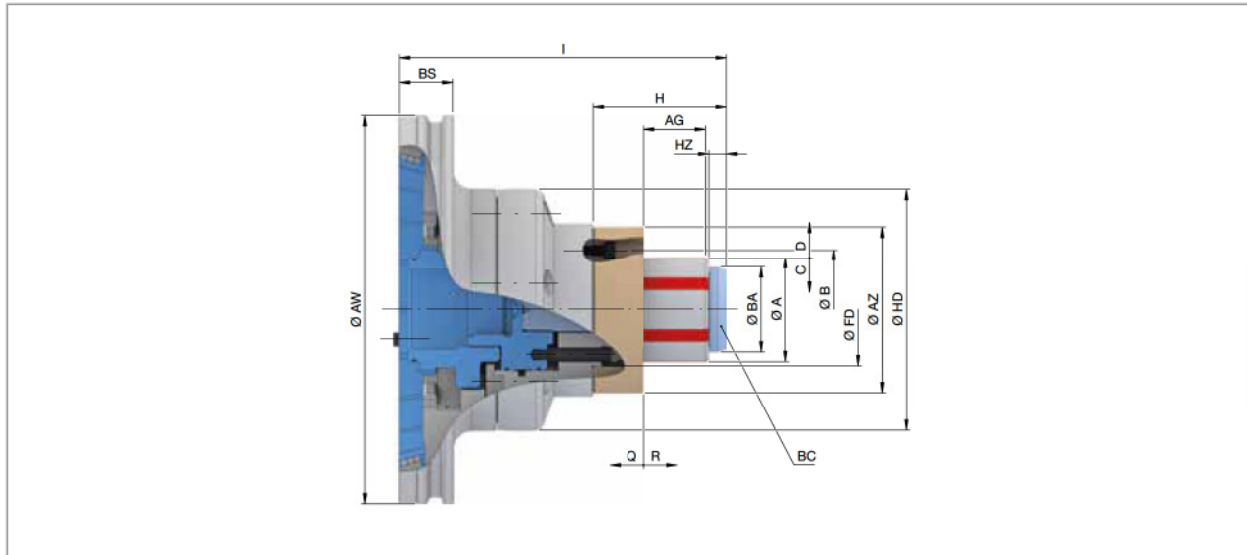
You will find matching jaws and other accessories in our main catalogue or on www.hainbuch.com.

Scope of delivery

- Clamping device adapter
- Jaw chuck
- Top jaws, soft
- T-slot nuts
- Grease cartridge
- Assembly wrench for revolving threaded ring



centroteX S. Clamping device adapter + mandrel MANDO T211



Size		0	1	2	3	4	5
Clamping range [mm]	A	20 – 28	26 – 38	36 – 54	50 – 80	69 – 120	100 – 130
Max. radial clamping force [kN]		42		85	105	150	170
Max. axial drawtube force [pull / push] [kN]		10		20	25	35	40
Max. clamping length [mm]	AG	22	26	43	49	59	86
RPM n max. [1/min.]				6000			5000
Draw bolt Ø [mm]	BA	19	25	35	49	68	97
Draw bolt head height [mm]	HZ	7,5	11	10	11		16
Reserve stroke in Ø [mm]	D		0,3			0,4	0,5
Release stroke in Ø [mm]	C		0,3			0,4	0,5
Reserve stroke axial [mm]	Q		1,5		2	2,5	3
Release stroke axial [mm]	R		2		2,5		3
Reception workpiece end-stop	FD	Ø 32 f7	Ø 41 f7	Ø 50 f7	Ø 65 f7	Ø 78 f7	Ø 102 f7
Bolt hole circle end-stop	B	LK Ø 50 [3 x M6]	LK Ø 55 [3 x M6]	LK Ø 78 [3 x M6]	LK Ø 80 [3 x M6]	LK Ø 90 [3 x M6]	LK Ø 117 [3 x M6]
End-stop outer Ø [mm]	AZ	65	69	93	96	100	150
Length [mm]	H	40	51	71	78	98	120
Length 2 [mm]	BS			31			37,5
Total length [mm]	I	150	160	180	190	205	236
Outer Ø [mm]	AW			224			230
Outer Ø 2 [mm]	HD			139			230
Max. actuating torque [Nm]	BC	10	20	25		55	65
Weight [kg]		13	12	13	14	15	32
In stock		✓	✓	✓	✓	✓	✓
Order no.		10015309	10015310	10015319	10015320	10015321	10015322

For size 4, clamping range 101 - 120 mm, a max. speed of 4.200 RPM applies.

You will find matching segmented clamping bushings and other accessories in our main catalogue or on www.hainbuch.com.

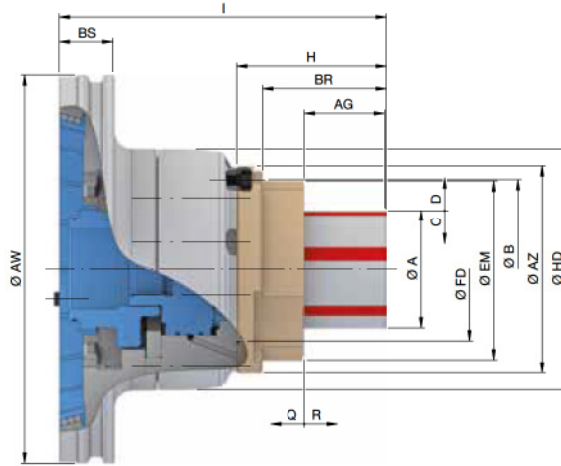
Scope of delivery

- Clamping device adapter
- Mandrel without air sensing adapter
- Draw bolt

QUICK CHANGE-OVER SYSTEMS

centroteX S

centroteX S. Clamping device adapter + mandrel MANDO T212



Size		XXS	XS	S	0	1	2	3	4	5	
Clamping range [mm]	A	8 – 13	13 – 19	16 – 21	20 – 28	26 – 38	36 – 54	50 – 80	69 – 100	100 – 130	
Max. radial clamping force [kN]		42					85	105	150	170	
Max. axial drawtube force [pull / push] [kN]		10					20	25	35	40	
Max. clamping length [mm]	AG	12,9	14	15	21	25	40	44,5	52,5	53	
Reserve stroke in Ø [mm]	D	0,2			0,3				0,4	0,5	
Release stroke in Ø [mm]	C	0,2			0,3				0,4	0,5	
RPM n max. [1/min.]		6000								5000	
Reserve stroke axial [mm]	Q	1,5							2,5	3	
Release stroke axial [mm]	R	1,5		2				3			
Reception workpiece end-stop	FD	Ø 34 f7	Ø 36 f7	Ø 39 f7	Ø 47 f7	Ø 55 f7	Ø 65 f7	Ø 83 f7	Ø 103 f7	Ø 140 f7	
Bolt hole circle end-stop	B	LK Ø 53 [3 x M5]		LK Ø 57 [3 x M5]	LK Ø 70 [3 x M6]	LK Ø 75 [3 x M6]	LK Ø 90 [3 x M6]	LK Ø 104 [3 x M6]	LK Ø 124 [3 x M6]	LK Ø 167 [3 x M8]	
End-stop outer Ø [mm]	AZ	65		70	90		104	120	138	195	
End-stop outer Ø 2 [mm]	EM	41	42	45	54	62	76	105	124	160	
Length [mm]	H	46	40	48	59	65	81	88	98	112	
Length 2 [mm]	BS	31									32
Depth [mm]	BR	36,5		38	44	47	62	77,5		92	
Total length [mm]	I	150,5	145	147	158	164	182	190	198,5	224	
Outer Ø [mm]	AW	224									230
Outer Ø 2 [mm]	HD	139									230
Weight [kg]		13						14	15	16	34
In stock		✓	✓	✓	✓	✓	✓	✓	✓	✓	
Order no.		10015332	10015334	10015336	10015337	10015353	10015359	10015360	10015362	10015363	

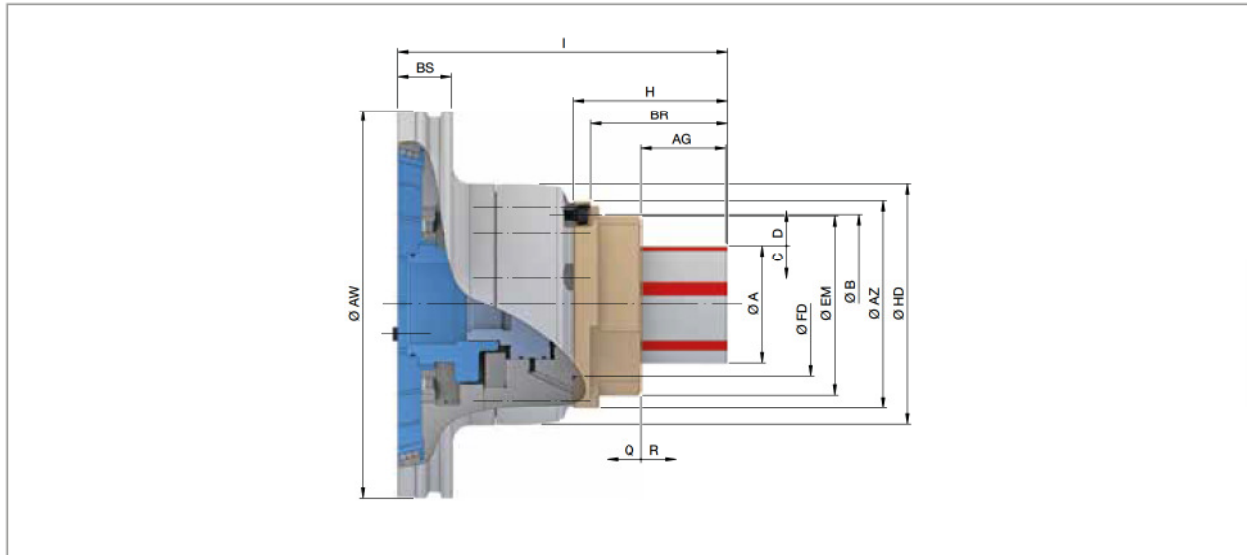
You will find matching segmented clamping bushings and other accessories in our main catalogue or on www.hainbuch.com.

Scope of delivery

- Clamping device adapter
- Mandrel without air sensing adapter
- Coupling ring
- Support sleeve for SAD segmented clamping bushings
- Mounting aid depending on size



centroteX S. Clamping device adapter + mandrel MANDO T812



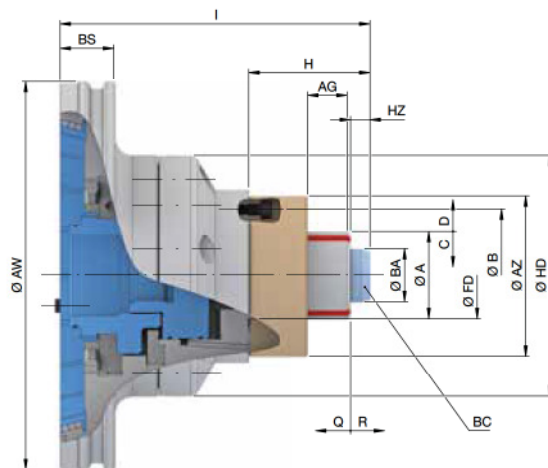
Size		XXS	XS	S	0	1	2	3	4	
Clamping range [mm]	A	8 – 13	13 – 19	16 – 21	20 – 28	26 – 38	36 – 54	50 – 80	69 – 100	
Max. radial clamping force [kN]		42				85		105	150	
Max. axial drawtube force [pull / push] [kN]		10				20		25	35	
Max. clamping length [mm]	AG	8,2	14	15	21	25	40	44,5	52,5	
Reserve stroke in Ø [mm]	D	0,1			0,2			0,3	0,4	
Release stroke in Ø [mm]	C	0,2			0,4			0,5	0,6	
RPM n max. [1/min.]						6000				
Reserve stroke axial [mm]	Q	1						1,5	2	
Release stroke axial [mm]	R	1,5					2		2,5	
Reception workpiece end-stop	FD	Ø 34 f7	Ø 36 f7	Ø 39 f7	Ø 47 f7	Ø 55 f7	Ø 65 f7	Ø 83 f7	Ø 103 f7	
Bolt hole circle end-stop	B	LK Ø 53 [3 x M5]		LK Ø 57 [3 x M5]	LK Ø 70 [3 x M6]	LK Ø 75 [3 x M6]	LK Ø 90 [3 x M6]	LK Ø 104 [3 x M6]	LK Ø 124 [3 x M6]	
End-stop outer Ø [mm]	AZ	65		70	90		104	120	138	
End-stop outer Ø 2 [mm]	EM	41	42	45	54	62	76	105	124	
Length [mm]	H	44	47,5	49,5	60,5	66,5	82,5	89,5		
Length 2 [mm]	BS					31				
Depth [mm]	BR	35,0	39,5	41,5	51,5	57,5	73,5	80,0	90,5	
Total length [mm]	I	136,3	149	152	164	167,5	183,5	191,5	201,5	
Outer Ø [mm]	AW					224				
Outer Ø 2 [mm]	HD					139				
Weight [kg]		13			14			16	17	
In stock		✓	✓	✓	✓	✓	✓	✓	✓	
Order no.		10016709	10016711	10016712	10016713	10016715	10016716	10016717	10016718	

You will find matching segmented clamping bushings and other accessories in our main catalogue or on www.hainbuch.com.

Scope of delivery

- Clamping device adapter
- Mandrel without air sensing adapter
- Coupling ring
- Support sleeve for SAD segmented clamping bushings
- Mounting aid depending on size

centroteX S. Clamping device adapter + mandrel MAXXOS T211



Size		A	B	C	D	E	F
Clamping range [mm]	A	18 – 24	20 – 32	24 – 39	32 – 50	39 – 68	50 – 100
Max. radial clamping force [kN]		27	36	51	70	86	143
Max. axial drawtube force [pull / push] [kN]		7,5	10	16	22	27	45
Max. clamping length [mm]	AG	20	22,5	24	35,3	45,3	
RPM n max. [1/min.]		6000					
Draw bolt Ø [mm]	BA	17	19	23	31	38	49
Draw bolt head height [mm]	HZ	7,5		11		11,2	11,7
Reserve stroke in Ø [mm]	D	0,3				0,4	
Release stroke in Ø [mm]	C	0,2				0,3	
Reserve stroke axial [mm]	Q				2		
Release stroke axial [mm]	R		2			2,5	
Reception workpiece end-stop	FD	Ø 32 f7		Ø 41 f7	Ø 50 f7		Ø 65 f7
Bolt hole circle end-stop	B	LK Ø 50 [3 x M6]		LK Ø 55 [3 x M6]	LK Ø 78 [3 x M6]		LK Ø 80 [3 x M6]
End-stop outer Ø [mm]	AZ	65		69	93		96
Length [mm]	H	40	40,5	53,5	71	78	80
Length 2 [mm]	BS				31		
Total length [mm]	I	150	150,5	160	180		190
Outer Ø [mm]	AW				224		
Outer Ø 2 [mm]	HD				140		
Max. actuating torque [Nm]	BC	7	10	15	20	25	55
Weight [kg]		12		13			14
In stock		✓	✓	✓	✓	✓	✓
Order no.		10015325	10015326	10015327	10015328	10015329	10015330

You will find matching segmented clamping bushings and other accessories in our main catalogue or on www.hainbuch.com.

Scope of delivery

- Clamping device adapter
- Mandrel without air sensing adapter
- Draw bolt