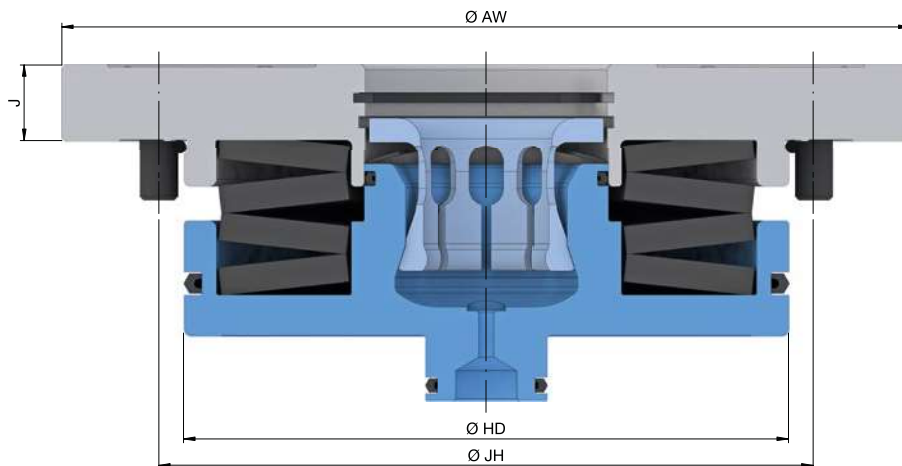





# DOCKLOCK ZERO-POINT CLAMPING SYSTEM

## DockLock

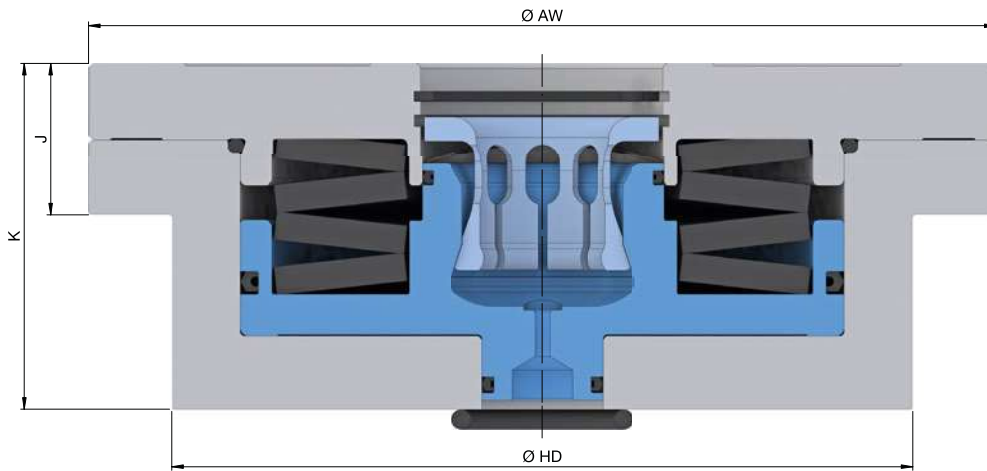
### DockLock safe built-in cylinder. Technical data






<b>Size</b>	<b>20</b>		
<b>Min. draw-in force [kN]</b>	<b>12,5</b>		
Min. holding power [kN]	40		
Repeatability ≤ [mm]	0,005		
Outer Ø [mm]	AW	112,3	
Outer Ø 2 [mm]	HD	80	
Height [mm]	J	10	
Bolt hole circle [mm]	JH	91	
Max. release pressure [bar]	70		
Bore depth for mounting [mm]	40		26 [-0,0]
Release	Hydraulic		
Air-blast cleaning	Yes		No
Weight [kg]	1,7		1,6
In stock	✓		✓
Material no.	10020629		10020818

		
Clamping bolts	Pressure generator	Accessories
Page 26	Page 35	Page 34

**DockLock safe flanged cylinder. Technical data**



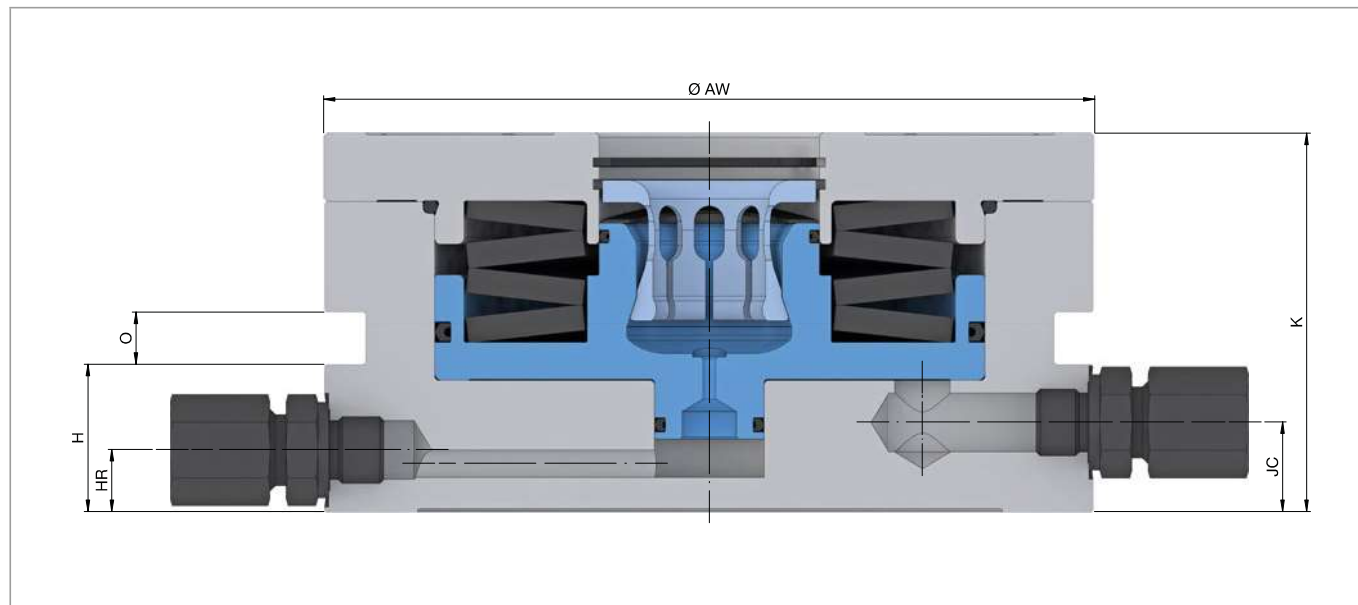
Size	20		30		50	
<b>Min. draw-in force [kN]</b>	<b>12,5</b>		<b>16</b>	<b>20</b>	<b>30</b>	
Min. holding power [kN]	40		50	60	90	
Repeatability ≤ [mm]	0,005					
Outer Ø [mm]	120		160		190	
Outer Ø 2 [mm]	98		124		154	
Overall height [mm]	K	45,7	39,7	47	65	74,5
Height [mm]	J	20		21	25	30
Max. release pressure [bar]	70					
Release	Hydraulic					
Air-blast cleaning	Yes	No		Yes		
Weight [kg]	1,8	2,8	3,3	3,6	8,1	
In stock	✓	✓	✓	✓	✓	
Material no.	10020628	10020817	10020644	10020643	10020646	

		
Clamping bolts	Pressure generator	Accessories
Page 26	Page 35	Page 34




# DOCKLOCK ZERO-POINT CLAMPING SYSTEM

## DockLock

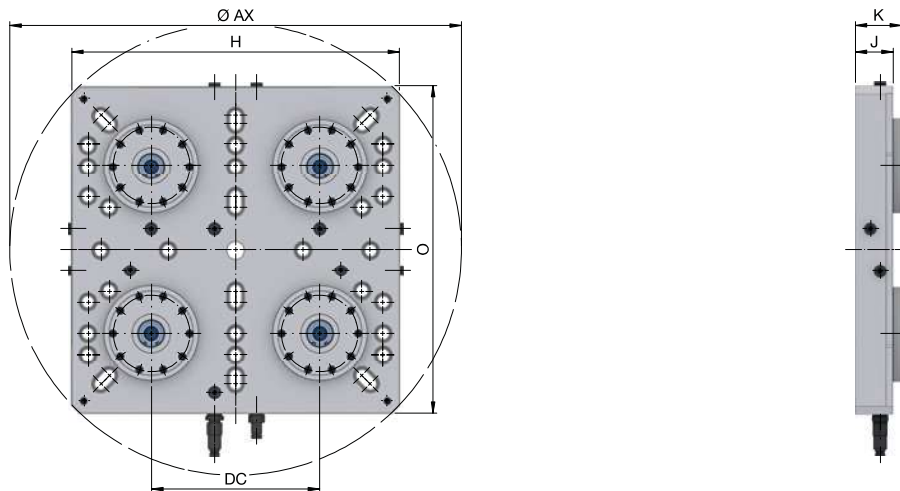
### DockLock safe built-up cylinder. Technical data



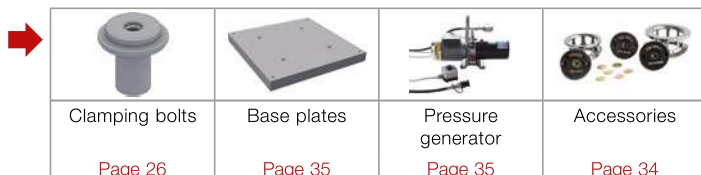
Size	20		30		50	
<b>Min. draw-in force [kN]</b>	<b>12,5</b>		<b>20</b>		<b>30</b>	
Min. holding power [kN]	40		60		90	
Repeatability ≤ [mm]			0,005			
Outer Ø [mm]	AW	112	160		190	
Overall height [mm]	K	55	45	83	84,5	
Length [mm]	H	21,4		28,5		
Length 2 [mm]	HR	9		12	11,5	
Length 3 [mm]	JC	13		17,5	17	
Width [mm]	O	7,6			12	
Connector size		G 1/8"			G 1/4"	
Max. release pressure [bar]				70		
Release				Hydraulic		
Air-blast cleaning	Yes	No			Yes	
Weight [kg]	3,9	3,1	3,5		8,2	
In stock	✓	✓	✓		✓	
Material no.	10020630	10020819	10020645		10020647	

		
Clamping bolts	Pressure generator	Accessories
Page 26	Page 35	Page 34

### DockLock safe base plates. Technical data



Size	<b>20</b>			
Min. draw-in force [kN]	<b>25</b>	<b>50</b>	<b>75</b>	<b>100</b>
Number of clamping positions	2	4	6	8
Min. holding power [kN]	80	160	240	320
Repeatability ≤ [mm]	0,005			
Length [mm]	H			
Width [mm]	O	196	396	596
Overall height [mm]	K	55		
Height [mm]	J	45		
Swing Ø	AX	445	560	716
Max. release pressure [bar]	70			
Release	Hydraulic			
Air-blast cleaning	Yes			
Linear dimensions of the clamping position [mm]	DC	200		
Weight [kg]	15,2	63,3	79,3	97,3
In stock	✓	✓	✓	✓
Material no.	10020631	10020632	10020633	10020634



#### Scope of delivery

- Base plate
- Built-in cylinder
- Cover bolt