

Operating instructions

[incl. installation manual]

MANDO Adapt T212

Size 0 - 7



Translation of the original operating instructions

Contents

1	General.....	7
1.1	Information about this manual.....	7
1.2	Key to symbols.....	7
1.3	Definition of terms	8
1.3.1	Release setting.....	8
1.3.2	Complete clamping reserve.....	8
1.4	Limitation of liability.....	9
1.5	Copyright.....	9
1.6	Scope of delivery	9
1.7	Spare parts and accessories.....	10
1.8	Warranty terms	11
2	Safety	12
2.1	Responsibility of the operator.....	12
2.2	Personnel requirements.....	13
2.3	Intended use	14
2.4	Personal protective equipment.....	16
2.5	Particular hazards	17
2.6	Other safety instructions	19
2.7	Screws	22
2.8	Functionality.....	22
2.9	Environmental protection	23
3	Technical data	24
3.1	General information.....	24
3.2	Performance values	26
3.3	Balancing quality	26
3.4	Speed.....	27
3.5	Operating conditions	27
3.6	Type designation.....	27
4	Layout and function	28
4.1	Overview and brief description.....	28
4.2	Accessories required.....	29
4.2.1	Basic clamping device	29
4.2.2	Segmented clamping bushing	29
4.2.3	Workpiece end-stop.....	29
4.3	Special aids.....	29
4.3.1	Changing aid	29
5	Use and limits of use	30
5.1	Use.....	30
5.2	Limits of use.....	30
5.2.1	Nomenclature	30
5.2.2	First limit [workpiece length]	30

5.2.3	Second limit [workpiece mass]	31
5.2.4	Third limit [clamping length]	31
5.2.5	Fourth limit [forces]	32
6	Transport, packaging, storage	33
6.1	Safety, transport, packaging, storage	33
6.2	Symbols on the packaging	34
6.3	Transport inspection	34
6.4	Unpacking and internal transportation	35
6.5	Packaging	35
6.6	Storage	36
6.7	Preservation	36
6.8	Return to storage	36
7	Installation	37
7.1	Installation safety	37
7.2	Preliminary remarks	39
7.3	Screw tightening torques	39
7.4	Preparation of the machine for installation	42
7.5	Preparation of the basic clamping device	42
7.6	Installation of the product	43
7.6.1	Compatibility check	43
7.6.2	Function check of the coupling range of the product	44
7.6.3	Preparation of the product	47
7.6.4	Installation of the adaptation clamping device	50
7.7	Installation of the clamping element	55
7.8	Installation of the changing parts	61
7.8.1	Installation of the variant x-times with axial screw connection	63
7.8.2	Installation of the variant x-times with bayonet axial screw connection	64
7.8.3	Installation of the variant, screwed directly	65
7.8.4	Installation of the central variant with axial screw connection	66
8	Commissioning	68
8.1	Commissioning safety	68
8.2	Checking the total stroke	70
8.3	Tests	70
8.4	Workpiece	71
8.5	Procedure after a collision	72
9	Activities after end of production	73
10	Removal	74
10.1	Safe removal	74
10.2	Preparing the machine for removal	76
10.3	Removal of the changing parts	76
10.3.1	Removal of the variant x-times with axial screw connection	78

10.3.2	Removal of the variant x-times with axial screw connection bayonet.....	79
10.3.3	Removal of the variant with direct screw connection	80
10.3.4	Removal of the central variant with axial screw connection.....	81
10.4	Removal of the clamping element.....	83
10.5	Removal of the product.....	89
10.5.1	Removal of the adaptation clamping device	90
11	Maintenance.....	95
11.1	Maintenance safety.....	95
11.2	Maintenance schedule	96
11.3	Cleaning.....	97
11.4	Visual inspection	101
11.5	Lubricating the product.....	102
11.6	Use of lubricants	102
12	Disposal.....	103
13	Faults.....	104
13.1	Procedure with faults.....	104
13.2	Fault table	105
13.3	Unlocking the adaptation clamping device manually.....	107
13.4	Commissioning after a fault has been remedied	108
14	Annex	109
14.1	Contact.....	109
14.2	Manufacturer certification.....	109

Directory of tables

Table 1:	Technical data	25
Table 2:	Operating conditions	27
Table 3:	Nomenclature application limits.....	30
Table 4:	Maximum workpiece mass	31
Table 5:	Screw tightening torques, metric control threads.....	40
Table 6:	Screw tightening torques for aluminum components.....	40
Table 7:	Screw tightening torques for the screw plug, dependent on the size of the product	41
Table 8:	Screw tightening torques for the screw plug, dependent on the size of the product	42
Table 9:	Minimum size Y of the coupling slider	46
Table 10:	Maintenance table	96
Table 11:	Fault table.....	106

1 General

1.1 Information about this manual

This manual enables you to work safely and efficiently with the product.

This manual is part of the product and must be kept in a location directly beside the product that is accessible to the personnel at all times. The personnel must have read this manual carefully and understood its contents before starting any work. The basic requirement for safe work is compliance with all stipulated safety notices and work-related instructions in this manual.

If the product is passed onto a third party, this manual must accompany it.

Illustrations in this manual are there to facilitate a basic understanding, and may differ from the actual design configuration of the product.



WARNING

Serious injuries caused by individual products or by inappropriate combinations of them!

- Read and pay attention to all operating instructions for individual products and combinations of them.

1.2 Key to symbols

Safety instructions in this manual are designated by symbols. The safety notices are invoked by signal words that express the level of hazard involved.

Always comply with safety notices and exercise caution to avoid accidents, injury to people and damage to materials.

Safety notices



DANGER

... indicates an immediate and hazardous situation that can lead to death or serious injury if not avoided.



WARNING

... indicates a potentially hazardous situation that can lead to death or serious injury if not avoided.



CAUTION

... indicates a potentially hazardous situation that can lead to moderate or slight injuries if not avoided.



NOTE

... indicates a potentially hazardous situation that can lead to damage to materials if not avoided.

Tips and recommendations



INFORMATION

... highlights useful tips and recommendations as well as information for efficient and problem-free operation.



... refers to other documents relating to personal and general safety.

Warning symbols may appear on the product or its components.

Always pay attention to warning symbols, and exercise caution to avoid accidents, injury to people and damage to materials.



... warns of stored energy [for example involving springs].



... warns of hand injuries.



... draws attention to the fact that the operating instructions of the product must be read.

1.3 Definition of terms

1.3.1 Release setting

Release setting means that the clamping device is released. If the clamping device is released, this also releases the workpiece.

1.3.2 Complete clamping reserve

Complete clamping reserve means that the clamping device is clamped without a workpiece. The complete stroke has been used up, which means that the clamping device is therefore at the limit position for clamping reserve.

1.4 Limitation of liability

All details and notices in this manual were compiled with due reference to applicable standards and specifications, state-of-the-art technology and our many years of expertise and experience.

The manufacturer accepts no liability for damage arising from any of the following:

- Non-compliance with this manual
- Unintended use
- Use of untrained personnel
- Autonomous conversion work
- Technical modifications
- Use of non-approved spare parts
- Use of non-approved accessories
- Installation and use of clamping elements not made by the manufacturer

Subject to any commitments agreed to in the supplier contract, the General Terms & Conditions of Business and the delivery terms of the manufacturer and all legislative stipulations valid at the time of conclusion of this contract.

1.5 Copyright

This manual is protected by copyright, and are only intended for internal use.

The dissemination of this manual to third parties, reproductions in any shape or form - even in part - as well as commercial use and/or communication of their contents are prohibited for anything other than internal use, except with the written consent of the manufacturer.

Infringements oblige the offending party to pay compensation. Without restriction on further claims.

1.6 Scope of delivery

The scope of delivery of this product includes:

- MANDO Adapt T212
- The operating instructions

Additionally needed and included as optional items in the scope of delivery:

- Basic clamping device
- Segmented clamping bushing
- Workpiece end-stop
- If necessary, use a changing aid [depending on size]

1.7 Spare parts and accessories



WARNING

Serious injuries can be caused by incorrect or defective spare parts!

- Always use genuine spare parts made by the original manufacturer.



WARNING

Serious injuries can be caused by incorrect or defective clamping elements!

- Always use genuine clamping elements made by the original manufacturer.



WARNING

Serious injuries can be caused by incorrect or defective basic clamping devices!

- Always use genuine basic clamping devices made by the original manufacturer.



NOTE

Damage, malfunctions or total failure of the product or the machine tool caused by an incorrect or defective spare parts!

- Always use genuine spare parts made by the original manufacturer.



NOTE

Damage, malfunctions or total failure of the product or the machine tool caused by an incorrect or defective clamping elements!

- Always use genuine clamping elements made by the original manufacturer.



NOTE

Damage, malfunctions or total failure of the product or the machine tool caused by incorrect or defective basic clamping devices!

- Always use genuine basic clamping devices made by the original manufacturer.

Spare parts and accessories can be sourced from contract dealers or directly from the manufacturer [see »Contact« chapter].

Without exception, wearing parts and components in contact with the workpiece are not covered by warranty.

1.8 Warranty terms

The warranty terms are included in the manufacturer's General Terms & Conditions of Business.

2 Safety

This section provides an overview of all the important safety aspects for optimum protection of personnel, and for safe and problem-free operation.

2.1 Responsibility of the operator

The product is used in the industrial sector. The operator of the product is therefore governed by the provisions of Health & Safety at Work legislation.

As well as the safety notices in this manual, the area of use of the product must also comply with locally applicable safety, accident prevention and environmental protection specifications as well as those in the manual for the machine tool.

No modifications must be made to the product. The operator is wholly and solely responsible for any resultant personal injury and/or damage to materials.

Excepted from this are changing parts that HAINBUCH approved explicitly for autonomous machining, but specified limits must never be exceeded.



DANGER

Serious injuries caused by parts being ejected centrifugally due to a drop in actuating force / supply pressure!

- On the machine, ensure that the actuating force / the supply pressure do not drop while the product is in use.
- If no precautions have been taken on the machine to maintain the actuating force / the supply pressure, it is prohibited to use this product on the machine.
- Pay attention to the operating instructions for the machine tool.

If the basic clamping device is power-actuated, pay particular attention to the fact that end-stop requests by the machine tool must be set on the adaptation clamping device involved.



DANGER

Serious injuries caused by parts being ejected centrifugally after defective setting of the machine!

- Set up the end-stop requests by the machine tool on the product involved.
- On a regular basis, check the end-stop requests of the machine tool [see »Maintenance schedule« chapter].
- If the limit stops are not reached, the product must not be used any more.

2.2 Personnel requirements



WARNING

Serious injuries caused by incorrect handling of the product by insufficiently skilled or trained personnel!

- All activities must be performed by skilled staff from the relevant specialist field.



WARNING

Serious injuries caused by unauthorized presence of unauthorized personnel in the working area!

- Keep unauthorized people away from the working area.
- If in doubt, speak to people and direct them to leave the working area.
- Interrupt work until unauthorized people have left the working area.



NOTE

Serious damage to materials caused by incorrect handling of the product by insufficiently skilled or trained personnel!

- All activities must be performed by skilled staff from the relevant specialist field.

This manual name the following skills sets required for various different areas of activity:

Skilled specialist

Skilled specialists, due to their professional training, knowledge and experience and awareness of applicable provisions, are capable of carrying out the work entrusted to them and independently to identify and avoid potential hazards.

Hydraulics specialist

Hydraulics specialists are trained in the specific task profile for which they are employed, and are familiar with the relevant standards and legislative provisions.

Due to their vocational training and experience, hydraulics specialists can work on hydraulic systems and can independently identify and avoid potential hazards.

Pneumatics specialist

Pneumatics specialists are trained in the specific task profile for which they are employed, and are familiar with the relevant standards and legislative provisions.

Due to their vocational training and experience, pneumatics specialists can work on pneumatic systems and can independently identify and avoid potential hazards.

Electricians

Electricians are trained in the specific task profile for which they are employed, and are familiar with the relevant standards and legislative provisions.

Due to their vocational training and experience, electricians can work on electrical systems and can independently identify and avoid potential hazards.

Trainees

Trainees can only work on the machine under the supervision and direction of staff skilled in the relevant specialist field.

The only people admitted as personnel are those who can reasonably be expected to carry out their work to a reliable standard. People whose response capabilities are impaired, for example by drugs, alcohol or medication, are prohibited. For the selection of personnel, pay attention to the stipulations applicable at the place of work governing age and specific vocational requirements.

2.3 Intended use

The product is only intended for installation in a CE-compliant machine tool with a separating set of guards.

This product is intended for installation in a compatible product with corresponding attachment geometry.

The product is only intended for the type of use described in this manual [see »Use« chapter]. Furthermore, an extended form of use can be agreed contractually between manufacturer and operator.

Only skilled staff from the appropriate specialist fields may install, operate, maintain and clean the product [see »Personnel requirements« chapter].

Never exceed the technical values stipulated for the product [see »General information« and »Operating conditions« chapters].

Furthermore, never exceed the limits for use of the product [see »Limits of use« chapter].

Maintain the product at regular intervals [see »Maintenance schedule« chapter].

When used for its intended purpose, the operational safety of the product is assured, subject to compliance with relevant safety stipulations, to the full extent foreseeable.

Intended use also includes compliance with all stipulations in this manual.

Any form of use beyond the scope of intended use, or other forms of use of the product, is considered as misuse, and can lead to dangerous situations.



WARNING

Serious injuries caused by misuse of the product!

- Only in a CE-compliant machine tool with a separating set of guards.
- Only use with compatible products.
- Only use for the type of use indicated [see »Use« chapter].
- Only skilled staff from the appropriate specialist fields may use the product [see »Personnel requirements« chapter].
- Never exceed the technical data indicated on the product [see »General information« and »Operating conditions« chapters].
- Never exceed the limits for use of the product [see »Limits of use« chapter].
- Maintain the product at regular intervals [see »Maintenance schedule« chapter].
- Only use with approved attachments and/or clamping elements.



DANGER

Serious injuries caused by parts being ejected centrifugally during commissioning without a workpiece!

- Never rotate the product without a workpiece installed.
- For commissioning, clamp an appropriate workpiece at every available clamping point.



NOTE

Damage to materials caused by incorrect use of the product!

- Only in a CE-compliant machine tool with a separating set of guards.
- Only use with compatible products.
- Only use for the type of use indicated [see »Use« chapter].
- Only skilled staff from the appropriate specialist fields may use the product [see »Personnel requirements« chapter].
- Never exceed the technical data indicated on the product [see »General information« and »Operating conditions« chapters].
- Never exceed the limits for use of the product [see »Limits of use« chapter].
- Maintain the product at regular intervals [see »Maintenance schedule« chapter].
- Only use with approved attachments and/or clamping elements.

Claims of all kinds will be rejected that are due to unintended use.

Here are some examples of unintended use of the product

- If workpieces are not clamped properly.
- If people fail to observe the safety stipulations when working on the product, and failing to use additional protective equipment, for example to machine clamped workpieces.
- If the product is used on clamping devices, workpieces and/or changing parts for which it is not intended.

2.4 Personal protective equipment

During work, it is essential to wear personal protective equipment to minimize the health hazards.

Always wear the required personal protective equipment when working on any given job.

Always pay attention to any notices about personal protective equipment displayed in the working area.

Always wear



When working, always wear the following items:

Workplace clothing

Workplace clothing should be close-fitting, with low tear-resistance, narrow cuffs and no protruding parts. It serves primarily to protect the wearer from coming into contact with moving machine parts. Do not wear rings, chains or other jewelry.



Safety footwear

To protect the wearer from any heavy items that may fall, and from losing their footing on slippery ground.



Protective goggles

To protect the eyes from projectile parts and liquid splashes.



Hair net

To protect long hair from getting snagged in rotating parts on the machine tool.

Additional personal protective equipment

When carrying out certain work, additional personal protective equipment is required. Separate reference is made to this in the individual chapters of this manual. The following section explains these additional items of personal protective equipment:



Protective gloves

To protect the hands from friction, chafing, stabbing or deeper injuries and from contact with hot surfaces.



Hard hat

To protect against falling and projectile parts and materials.

2.5 Particular hazards

The following section names residual risks resulting from the installation of the product in a machine tool. In all cases, the residual risks detected during a risk assessment of the machine tool need to be named by the operator.

Pay attention to the safety instructions named here, as well as the warning notices in other chapters of these operating instructions to reduce the risk of health hazards and to prevent dangerous situations.

Moving parts



WARNING

Serious injuries caused by touching rotating and/or moving parts!

- Do not open guards while the system is operating.
- During operation, do not reach for rotating and/or moving parts.
- Pay attention to the gap dimensions of moving parts.
- Before opening the guards, ensure that none of the parts are moving any more.

Stroke



WARNING

Serious crushing injuries caused by the stroke of the product!

- Never reach into an area where moving parts are operating.
- Prevent accidental initiation of the clamping process [for example due to an installation error with the power supply or a programming error].

Insufficient workpiece clamping



DANGER

Serious injuries caused by parts being ejected centrifugally if level of workpiece clamping is insufficient!

- Workpiece blanks must not be outside the clamping width diameter.
- Clamping of the workpiece must not be outside the defined limits [see »Limits of use« chapter].
- Do not exceed the maximum performance values [see »General information« chapter].

Insufficient workpiece clamping



WARNING

Serious injuries caused by breakage of individual components of the product when actuating force is too high!

- Check actuating force on a regular basis and adjust if necessary.

Sharp-edged parts



WARNING

Serious cut injuries caused by sharp-edged parts and burrs!

- All installation of individual parts must be performed by skilled staff from the relevant specialist field.
- Also wear the following items of personal protective equipment, in addition to the basic equipment:



2.6 Other safety instructions



DANGER

Serious injuries caused by workpieces being ejected centrifugally when clamping unit is released while still rotating!

- Never release the clamping of the workpiece while it is still rotating.



DANGER

Serious injuries caused by projectile workpieces!

- To assist clamping of the workpiece with long clamping devices, always use a tailstock / back rest or a brace.



WARNING

Serious injuries caused by the release of stored energy!

- When unfastening the relevant screws, these must be actuated crosswise in alternating fashion to reduce clamping action to a minimum.
- Do not open the screws secured with sealing lacquer.



WARNING

Serious head injuries caused by bending into the working area of the machine!

- Only ever bend into the working area of the machine if there are no cutting tools or sharp objects in it, or if these are covered.
- Never move body parts under parts in the working area of the machine with the potential to drop down.



WARNING

Serious injuries caused by snagging body parts on the rotating machine spindle!

- Never reach into the product while the machine spindle is still rotating.
- Before working on the product, ensure that the machine spindle is unable to start up.



WARNING

Serious injuries caused by reaching into slots and bores!

- Never reach into slots or bores.



WARNING

Serious injuries caused by workpieces dropping or the clamping unit getting released!

- Only unclamp the workpiece if it is protected against falling.



WARNING

Serious injuries caused by the use of damaged products or by their components and accessories!

- Check products or their components and accessories on a regular basis for visible signs of damage [see »Inspections« and »Cleaning« chapters].
- Use of damaged products, their damaged components and/or their damaged accessories is prohibited.
- Report damage to the operator immediately.
- Damaged components / accessories must be replaced with genuine spare parts / accessories made by the manufacturer.



CAUTION

Cut injuries caused by sharp edges and burrs resulting from wear and/or repeated rework!

- Remove sharp edges and burrs.
- If necessary, replace worn components with genuine parts made by the manufacturer.



WARNING

Serious injuries caused by parts dropping if the changing aid is used incorrectly!

- The changing aid must only be used for installation / removal of the clamping element.



NOTE

Serious damage to materials / the machine tool / the product caused by workpieces being ejected centrifugally if clamping is released while they are still rotating!

- Never release the clamping of the workpiece while it is still rotating.



NOTE

Damage to materials caused by untightening the wrong screws!

- Do not open the screws secured with sealing lacquer.

2.7 Screws



WARNING

Serious injuries caused by radially installed screws being ejected centrifugally if installed incorrectly / poor handling!

- Do not open the screws secured with sealing lacquer.
- Screws and threaded pins fitted radially to the product that were bonded with adhesive need to be secured again using a standard, medium-strength screw adhesive and tightened to the specified tightening torque [see nomenclature or the »Screw tightening torques« chapter]. Before reinstallation, clean and degrease the screw and internal thread.
- Radially mounted screws and threaded pins that were not bonded with sealing lacquer or an adhesive need to be tightened back down to the specified tightening torque [see nomenclature or the »Screw tightening torques« chapter].
- If in doubt, contact the manufacturer immediately to determine how best to proceed.

2.8 Functionality



WARNING

Serious injuries caused by severe contamination of the product!

- Always comply with the cleaning instructions and intervals [see »Cleaning« chapter].

2.9 Environmental protection



NOTE

Substantial damage to the environment can result from non-compliant handling or incorrect disposal of environmentally hazardous substances!

- If environmentally hazardous substances enter the environment accidentally, take immediate remedial action.
- If in doubt, notify the relevant municipal authorities about the incident.

The following environmentally hazardous substances are used:

Lubricants, auxiliary materials and operating fluids

Lubricants such as grease and oil can contain toxic substances. These must not enter the environment.

Dispose of environmentally hazardous substances properly [see »Disposal« chapter].

3 Technical data

3.1 General information

Size	Size of basic clamping device	Clamping range [mm]	Axial release stroke [mm]	Axial clamping reserve [mm]	Radial opening stroke in Ø [mm]	Radial reserve stroke in Ø [mm]	Total weight [kg]	Dimensions [Ø x length] [mm]	Maximum speed [min^{-1}]	Axial clamping force $F_{ax\ max.}$ [kN]	Radial clamping force $F_{rad\ max.}$ [kN]	Balancing quality G in n planes
0	52	20-28	2.0	1.5	0.4	0.3	3.7*	Ø 119.0 x 138.0*	7000	10	42	10/1
	3.6**						Ø 125.0 x 138.0**					
	65						4.2*	Ø 129.0 x 141.0*	6000			
	4.5**						Ø 145.0 x 141.0**					
80	5.5*	Ø 150.0 x 138.0*	5500									
100	9.6*	Ø 183.0 x 157.0*	5000									
							10.6**	Ø 215.0 x 157.0**				
1	52	26-38	2.5	1.5	0.4	0.3	3.2*	Ø 119.0 x 139.0*	7000	10	42	10/1
	3.4**						Ø 125.0 x 139.0**					
	65						4.3*	Ø 129.0 x 147.5*	6000			
	4.6**						Ø 145.0 x 147.5**					
80	5.6*	Ø 150.0 x 144.0*	5500									
100	9.7*	Ø 183.0 x 158.5*	5000									
							10.7**	Ø 215.0 x 158.5**				
2	52	36-54	2.5	1.5	0.5	0.3	4.1	Ø 119.0 x 155.0*	7000	20	85	10/1
							Ø 125.0 x 155.0**					
	65						5.1*	Ø 129.0 x 163.5*	6000			
	5.2**						Ø 145.0 x 163.5**					
80	6.0*	Ø 150.0 x 158.0*	5500									
100	11.3	Ø 183.0 x 174.5*	5000									
								Ø 215.0 x 174.5**				
3	65	50-80	2.5	2.0	0.5	0.4	6.0*	Ø 129.0 x 173.0*	6000	25	105	10/1
							6.2**	Ø 145.0 x 173.0**				

Size	Size of basic clamping device	Clamping range [mm]	Axial release stroke [mm]	Axial clamping reserve [mm]	Radial opening stroke in Ø [mm]	Radial reserve stroke in Ø [mm]	Total weight [kg]	Dimensions [Ø x length] [mm]	Maximum speed [min ⁻¹]	Axial clamping force $F_{ax\ max}$ [kN]	Radial clamping force $F_{rad\ max}$ [kN]	Balancing quality G in n planes
	80	50-80	2.5	1.5	0.5	0.3	6.9*	Ø 150.0 x 166.0*	5500			
	100	50-80	2.5	2.0	0.5	0.4	11.2* 12.1**	Ø 183.0 x 181.5* Ø 215.0 x 181.5**	5000			
	65						7.6	Ø 129.0 x 180.5* Ø 145.0 x 180.5**	6000			
4	80	69-100	2.5	2.5	0.5	0.4* 0.5**	8.2*	Ø 150.0 x 176.0*	5500	35	150	10/1
	100						12.6* 13.5**	Ø 183.0 x 191.5* Ø 215.0 x 191.5**	5000			

* suitable for TOPlus mini pull-back

** suitable for TOPlus combi pull-back, TOPlus Modular, TOROK SE, HYDROK SE, MANOK plus SE

Table 1: Technical data



INFORMATION

$F_{rad\ max}$ can only be reached in lubricated condition. In unlubricated condition, $F_{rad\ max}$ is much less.



INFORMATION

When necessary, the conversion of actuating force F_{ax} on the corresponding type of actuation for the basic clamping device is described in the operating instructions for the basic clamping device [see operating instructions for the basic clamping device].

3.2 Performance values



NOTE

Material damage to the products use and/or to the machine tool caused by exceeding the maximum performance values!

- Do not exceed the maximum performance values [see »General information« chapter].
- On all products used, do not exceed the lowest of the maximum performance values.
- Only use product in machine tools with the same performance values.



INFORMATION

Details of maximum performance values can be found on each product.

If, due to abrasive wear, those performance values are no long legible, refer to the operating instructions.

The achievable actuation forces may vary as a result of the maintenance status [lubrication status and level of contamination] of the product [see »Maintenance schedule« chapter].

The achievable clamping forces resulting from actuating forces must be checked at regular intervals. For this, structural clamping force measurements must be performed.

3.3 Balancing quality

The product is balanced before leaving the factory [balancing quality - see »General information« chapter].



DANGER

Serious injuries caused by parts being ejected centrifugally if products are not balanced correctly!

- Do not clamp rotationally symmetrical workpieces, or do so only after contacting the manufacturer.
- Never remove balancing screws and weights attached to the product.



NOTE

Material damage caused by machining with incorrectly balanced products!

- Do not clamp rotationally symmetrical workpieces, or do so only after contacting the manufacturer.
- Never remove balancing screws and weights attached to the product.

3.4 Speed

The product is authorized for rotational operation.
The maximum speed is written on the product [maximum speed, see »General information« chapter].



DANGER

Serious injuries caused by parts being ejected centrifugally due to a non-compliant combination of several products!

- From all of the maximum speeds indicated for the combined products, always remain at the lowest of those maximum speeds.



DANGER

Serious injuries caused by workpieces being ejected centrifugally after a loss of clamping power!

- Never rotate the product without a workpiece installed.
- When several clamping points are involved, clamp a suitable workpiece to each one.
- If necessary, adjust the machining forces.

3.5 Operating conditions

Indication	Value	Unit
Ambient temperature range	15 - 65	°C
Workpiece temperature	≤ 80	°C
Humidity	≤ 80	%

Table 2: Operating conditions

3.6 Type designation

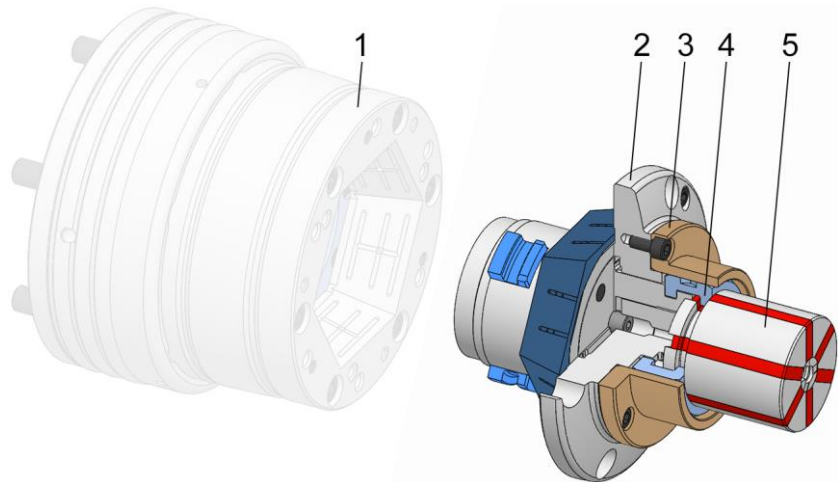
The type designation is on the product and it includes the following indications:

- Manufacturer
- Product designation
- ID number [marked with a # symbol]
- Build year
- Maximum speed n [min^{-1}]
- Maximum actuating force $F_{ax\ max}$ [kN]
- Maximum clamping force $F_{rad\ max}$ [kN]

4 Layout and function

4.1 Overview and brief description

- 1 Basic clamping device
- 2 Adaptation clamping device
- 3 Rotary extractor sleeve / workpiece end-stop
- 4 Coupling ring
- 5 Segmented clamping bushing [clamping element]



The adaptation clamping device is intended to convert external into internal stresses.

The adaptation clamping device sits directly on the basic clamping device.

It does not need to be aligned.

The clamping element is mounted to the clamping device with the coupling ring and the workpiece end-stop, and it clamps the workpiece that is to be machined. To make it easier to install the clamping element, if necessary, which depends on size, a suitable changing aid can be used to prevent the clamping element from dropping during installation.

The workpiece end-stop is secured to the clamping device to secure the clamping element and the coupling ring. Without a workpiece end-stop or without securing the coupling ring, the clamping device will not function and must not then be used.

The clamping device functions on the pull-back principle.

When clamping, the clamping element performs an axial movement towards the workpiece end-stop.

The mobile coupling draws the clamping element onto the stationary taper.

This draws the workpiece firmly up against the stationary workpiece end-stop.

4.2 Accessories required

4.2.1 Basic clamping device

The basic clamping device supports the adaptation clamping device.

4.2.2 Segmented clamping bushing

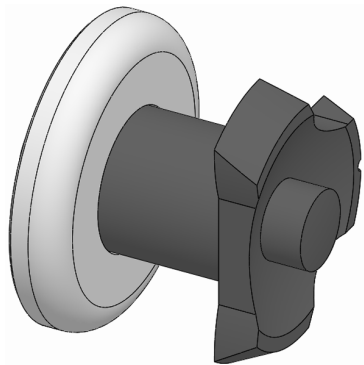
The segmented clamping bushing is manufactured with a customer-specified clamping diameter.

4.2.3 Workpiece end-stop

The workpiece end-stop is produced with an end-stop dimension that reflects customer wishes.

4.3 Special aids

4.3.1 Changing aid



If necessary, the changing aid is included in the scope of delivery of the product [depending on size].

The changing aid secures the segmented clamping bushing, preventing it from dropping during installation / removal.

5 Use and limits of use

5.1 Use

The product is a clamping device that may only be used to clamp a rotationally symmetrical workpiece to enable it to be machined.

The product can only be used in combination with a suitable basic clamping device from HAINBUCH.

As well as for its general field of application, this product was designed and developed for use, when necessary, in a specific and documented application [see clamping situation drawing or order confirmation].

Any other fields of application require the explicit approval of the manufacturer.

The clamping device is used for the internal clamping of workpieces.

5.2 Limits of use

Limits are set on the operation of segmented mandrels in the area where workpieces are machined.

5.2.1 Nomenclature

Brief designation	Unit	Explanation
F_z	N	Centrifugal force
m	kg	Mass of the segmented clamping bushing
$m_{w\ max}$	kg	Maximum workpiece mass
r_s	m	Distance between mass center of gravity of segmented clamping bushing and rotational axis of the segmented mandrel

Table 3: Nomenclature application limits

5.2.2 First limit [workpiece length]

To assist with clamping of the workpiece when working with very long workpieces, a tailstock or a back rest.

5.2.3 Second limit [workpiece mass]

The maximum mass of workpiece depends on the cutting circle diameter of the mandrel tip on the product.

Cutting circle diameter range of mandrel tip [mm]	Standard size	Maximum workpiece mass $m_{w\ max}$ [kg]	
		Horizontal application	Vertical application
≤3.5	XXS	0.5	0.7
> 3.5 to ≤ 4.5	XS	3	5
> 4.5 to ≤ 7.0	S	6	8
> 7.0 to ≤ 11.9	0	12	18
> 11.9 to ≤ 15.2	1	25	37
> 15.2 to ≤ 22.0	2	35	52
> 22.0 to ≤ 33.7	3	50	75
> 33.7 to ≤ 45.4	4	70	105
> 45.4 to ≤ 70.0	5	100	150
> 70.0 to ≤ 91.0	6	120	180
> 91.0 to ≤ 109.0	7	150	225

Table 4: Maximum workpiece mass

5.2.4 Third limit [clamping length]

The clamped length must be proportional to the planned clamping and machining operation.

5.2.5 Fourth limit [forces]

The radial clamping force must exceed its required limit.

The required level of radial clamping force required is derived from the planned cutting conditions and the resultant machining forces and torques.

As the clamping element mass increases, a higher level of centrifugal force needs to be taken into account when selecting the clamping force.

The centrifugal force can be determined on the basis of the following formula:

$$F_z = \left(\frac{\pi * n}{30}\right)^2 * m * r_s$$

Simultaneous machining, for example through the use of several tools, also need to be superimposed technically in regard to forces. This involves taking account of the highest forces and the least favorable torques involved in the machining process.

The clamping forces must be adapted to reflect the workpiece materials.

The torque exerted on the clamping device during machining of the workpiece must never exceed the maximum level of transmissible torque resulting from the radial clamping force.

6 Transport, packaging, storage

6.1 Safety, transport, packaging, storage



WARNING

High level of physical strain due to the weight of the product or of its components if not transported properly!

- From a weight of 10 kg, use appropriate transport equipment, lifting gear and lifting tackle.



WARNING

Serious crushing injuries and breakages caused by falling parts if transported incorrectly!

- Ensure that the product cannot roll away or fall.
- Place on a non-slip surface.
- When using lifting gear, use appropriate load-bearing equipment and lifting tackle.



WARNING

Serious injuries caused by transporting off-center equipment!

- Pay attention to marks on the packaging items.
- Attach the crane hook directly above the center of gravity.
- Raise carefully and correct the lifting points if necessary.



WARNING

Serious injuries caused by incorrect transport with lifting gear!

- Never raise loads above people.
- Never step under suspended loads.
- Pay attention to information about the intended lifting points. Ensure that the lifting gear is mounted on a secure base.
- Only use authorized and undamaged lifting gear, load-bearing equipment and lifting tackle.
- Never exceed the maximum load-bearing capacity of lifting gear, load-bearing equipment and lifting tackle.



NOTE

Damage to materials caused by falling parts if transported incorrectly!

- Ensure that the product cannot roll away or fall.
- Place on a non-slip surface.
- When using lifting gear, use appropriate load-bearing equipment and lifting tackle.

6.2 Symbols on the packaging



Fragile

Designates packaging items with fragile or breakable contents.

Handle the packaging item with care. Do not drop it and protect it against collision impacts.



Keep it dry

Keep packaging items dry and protect them from the ingress of water.



Position designation

Points to the correct upright position of the packaging item.

6.3 Transport inspection

Check the delivery on receipt immediately to ensure it is complete and has not been damaged in transit.

Proceed as follows if you find any externally visible signs of damage while in transit:

- Refuse to accept the delivery, or only subject to later approval
- Make a note of the extent of damage on the transportation documents or on the delivery note of the transportation company
- Initiate a complaint



INFORMATION

Raise a complaint for every defect as soon as it is discovered. Compensation claims can only be enforced during the applicable complaint periods.

6.4 Unpacking and internal transportation

The total weight of the product depends on its size.

Depending on the weight involved, it may be necessary to use lifting gear to lift the product or its components out of the packaging safely, to transport them and to position and install them in the machine tool or on the machine table.

1. The product is packaged in a stable position, and it has threads / bores for transportation.
2. Lifting tackle can be installed in these transportation threads / bores. To lift the product out of its packaging, the front-end functional threads can if necessary be used to attach lifting tackle to upright packaged products. This does not include the front thread / the front bore in the clamping taper.
3. Attach load-bearing equipment to the lifting tackle.
4. Subject to weight, use lifting gear to lift the product out of its packaging safely, and place it down on a stable, flat surface.
5. Secure the product to prevent it from rolling away.
6. When transporting on a trolley or car, ensure that the product is securely mounted on a non-slip surface before starting to move it.

6.5 Packaging

The individual packaging items are packaged in an appropriate manner for the type of transportation involved. Always use environmentally compatible materials for packaging purposes.

Packaging should protect individual components from damage in transit, corrosion and other forms of damage, up until installation. For this reason, do not destroy the packaging, and do not remove it until shortly before installation.



INFORMATION

The packaging units are packaged, wrapped in airtight film and placed in cardboard boxes. On the individual weights of each of the sizes [see »General information« chapter].

Dispose of packaging material in accordance with applicable legislative provisions and local regulations.



NOTE

Damage to the environment caused by improper disposal of packaging materials!

- Dispose of packaging materials in an environmentally responsible manner.
- Pay attention to local disposal regulations and, if necessary, appoint a specialist waste disposal company with this work.

6.6 Storage



INFORMATION

The packaged items may display information relating to storage and readmission to storage that extend beyond the scope of these requirements. Pay attention to these notices.

Store packaged items under the following conditions:

- Safe for storage.
- Do not store outdoors.
- Store in a dry, dust-free place.
- Avoid exposure to aggressive media.
- Protect against direct sunlight.
- Avoid mechanical vibration.
- Storage temperature: 15 to 35°C.
- Relative humidity: Maximum 60%.
- In the event of storage for more than 3 months:
 - On a regular basis, check the general condition of all parts and packaging.
 - If necessary, refresh the preservation or replace it.

6.7 Preservation

1. Clean and lubricate the product [see »Cleaning« and »Lubricating the product« chapters].
2. Apply a light coating of preserving oil to the inner and outer faces of the product. Wipe away surplus preserving oil with a sort, lint-free, tear-resistant cloth.
3. Pack product air-tight in foil.
4. Return product to storage [see »Return to storage« chapter].

6.8 Return to storage

Return product to storage under the following conditions:

1. Preserve the product [see »Preservation« chapter].
2. The product must be stored in a safe condition. Use an appropriate container for the product, on a non-slip surface, or fit the floor of the shelving unit with an all-round safety border.
3. For storage conditions, see the »Storage« chapter.

7 Installation

7.1 Installation safety



WARNING

Serious injuries caused by unskilled staff during installation / removal!

- Installation and removal must be performed by skilled staff from the relevant specialist field.



WARNING

Serious injuries can be caused if the machine tool starts up accidentally!

- Set the machine tool into set-up mode.
- Remove all tools, auxiliary equipment and items of test equipment immediately from the working area of the machine.
- Remove all lifting gear from the product and from the working area of the machine.



WARNING

Serious injuries caused by the escape of media under high pressure!

- Shut down media delivery during installation and removal.
- Relieve any pressure trapped in the system.
- Shut down the system.



WARNING

Serious crushing injuries and breakages caused by falling parts during incorrect installation or removal!

- Ensure that the product cannot roll away or fall.
- If necessary, use an appropriate mounting aid for installation or removal on a vertically suspended machine spindle.



WARNING

Serious crushing injuries caused by improper machine movement during installation or removal!

- Machine movements are only permitted in set-up mode during installation and removal.
- Never reach into a gap.
- Pay attention to the gap dimensions of moving parts.



WARNING

Serious head injuries caused by bending into the working area of the machine!

- Only ever bend into the working area of the machine if there are no cutting tools or sharp objects in it, or if these are covered.
- Never move body parts under parts in the working area of the machine with the potential to drop down.
- Depending on weight, use an appropriate mounting aid for installation or installing on a vertically suspended machine spindle.



WARNING

High level of physical strain due to the weight of the product or of its components if not transported properly!

- From a weight of 10 kg, use appropriate transport equipment, lifting gear and lifting tackle.



CAUTION

Serious cut injuries caused by sharp-edged changing parts and/or clamping elements!

- All installation / removal of changing parts and clamping elements must be performed by skilled staff from the relevant specialist field.



NOTE

Damage to materials caused by lifting gear left in the product!

- Always remove lifting gear immediately after installing the product.



NOTE [only for aluminum components]

Damage to materials can be caused by incorrect screw tightening torques on aluminum components!

- Pay attention to the reduced screw tightening torques for aluminum components [see »Screw tightening torques« chapter].

7.2 Preliminary remarks

- In accordance with their thread size and strength class, screws must be tightened crosswise to the specified tightening torque [see »Screw tightening torques« chapter]. When tightening the screws, do so evenly to prevent any distortion under load.
- To avoid precision errors, clean all screw-fitting points and mating surfaces [Notes on cleaning, see »Cleaning« chapter]. Factory wetting of flat surfaces and, where necessary of clamping elements, only serves as a corrosion inhibitor. This is not functionally related lubrication.
- Only apply lubricant to the mechanical mating surfaces. Pay attention to notes about lubricants [see »Use of lubricants« chapter].
- Avoid too much lubricant on the locating face because this can cause face run-out errors.
- Apply grease to the sealing elements [for example O-rings, rectangular rings] and sealing surfaces. Pay attention to notes about greases [see »Use of lubricants« chapter].
- Do not damage the functional surfaces [flat, mating, tapered and sealing surfaces].

7.3 Screw tightening torques

The tables show the specified values.

Knowledge of the applicable guidelines and design criteria is essential.



NOTE

Damage to materials caused by defective screw tightening torques!

- To secure the product to the machine, pay attention to the values specified by HAINBUCH and by the machine manufacturer for screw tightening torques. If the machine manufacturer stipulates different values, you must consult HAINBUCH.

Metric control threads

The following table contains the guide values in Nm for screw tightening torques for achieving the highest permitted pre-load for metric control threads.

- Total friction coefficient $\mu_{ges} = 0.12$

Thread designation	Tightening torque at screw quality [Nm]	
	10.9	12.9
M4	4	5
M5	7	9
M6	12	15
M8	25	38
M10	50	70
M12	100	130
M16	220	300
M20	400	550
M24	600	800

Table 5: Screw tightening torques, metric control threads

Aluminum components

The following table contains the reduced screw tightening torques for securing aluminum components.

Thread designation	Tightening torque [Nm]	Minimum screw depth [mm]
M6	10	12
M8	23	16
M10	46	20

Table 6: Screw tightening torques for aluminum components

Screw plug

The following table contains the screw tightening torques for the screw plug, dependent on the size of the product.

Size of the product	Tightening torque [Nm]
XXS	6
XS	6
S	6
0	8
1	15
2	15
3	20
4	20
5	20
6	20
7	20

Table 7: Screw tightening torques for the screw plug, dependent on the size of the product

Screw plug

The following table contains the screw tightening torques for securing the screw plug, dependent on the size of the product.

Size of the product	Tightening torque [Nm]
0	6
1	6
2	6
3	15
4	15
5	15
6	15
7	15

Table 8: Screw tightening torques for the screw plug, dependent on the size of the product

7.4 Preparation of the machine for installation

1. Set the machine into set-up mode.
2. Reduce the operating pressure to a minimum.
3. Remove cutting tools and/or sharp objects from the working area of the machine, or cover them.

7.5 Preparation of the basic clamping device

To install the adaptation clamping device, the basic clamping device must be prepared.



In addition to these operating instructions, you should also read and follow the operating instructions for the associated basic clamping device.

1. Remove the clamping element from the basic clamping device [see operating instructions for the basic clamping device].

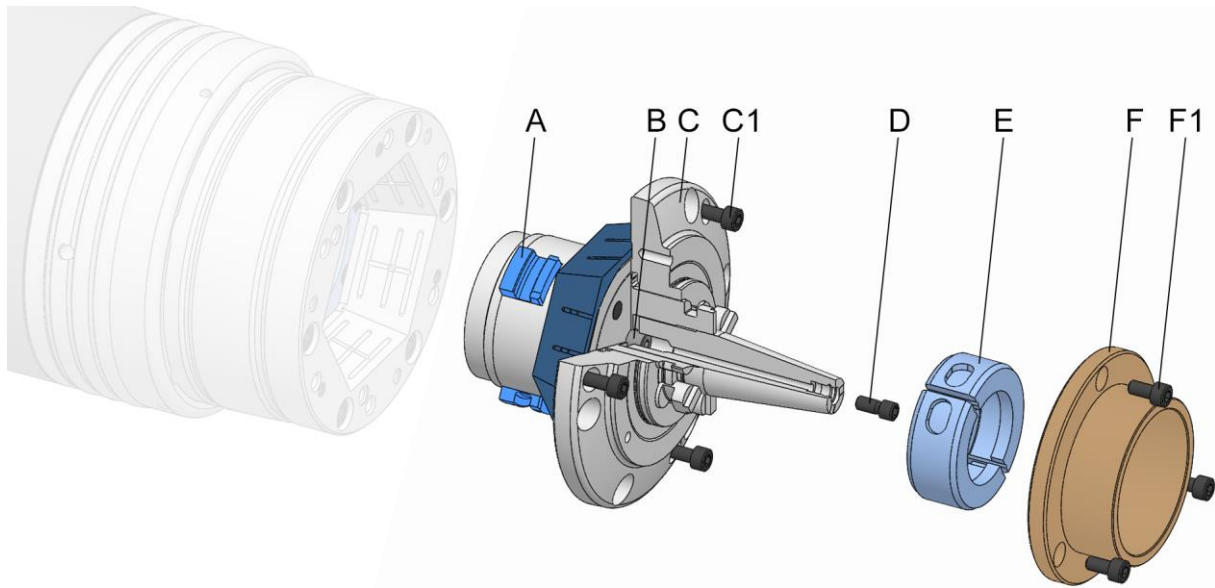


INFORMATION

Before installation of the adaptation clamping device, the base end-stop must be removed from the basic clamping device.

2. Remove the changing parts from the basic clamping device [see operating instructions for the basic clamping device].

7.6 Installation of the product



- A Coupling slider
- B Screw plug
- C Adaptation clamping device
- C1 Fixing screws adaptation clamping device
- D Screw plug
- E Coupling ring
- F Twist-off sleeve / workpiece end-stop
- F1 Retaining screws on twist-off sleeve / workpiece end-stop

1. As described in the »Preparation of the machine for installation« chapter, prepare for the following steps.
2. As described in the »Preparation of the basic clamping device« chapter, prepare the basic clamping device for the following steps.

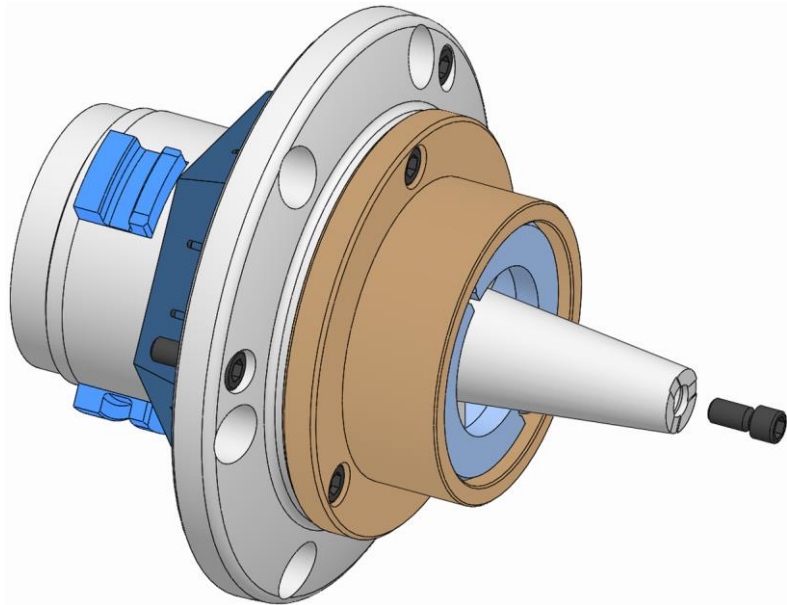
7.6.1 Compatibility check

Check the compatibility of the product and the connection point of the basic clamping device.

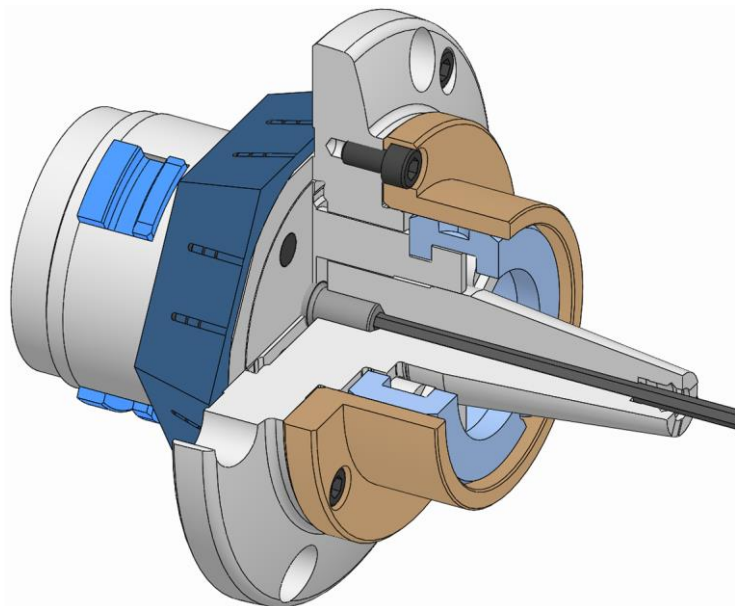
For this, check that the connection point and the product share the same adaptation geometry. Also check if the actuating element / coupling element is suitable.

7.6.2 Function check of the coupling range of the product

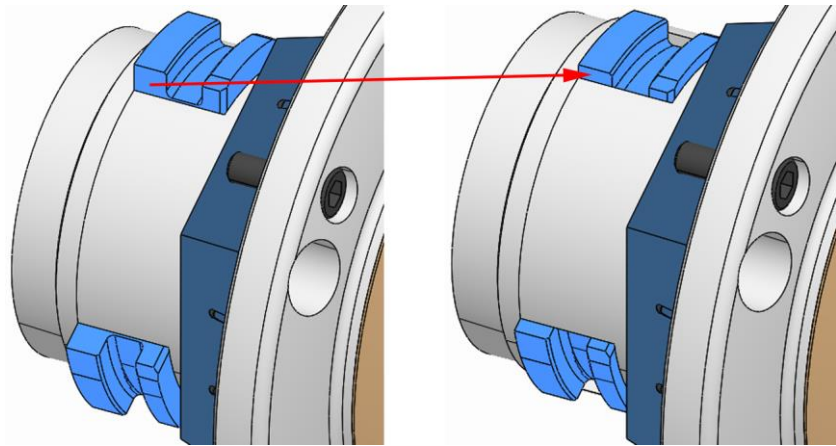
Check that the coupling range function on the product.



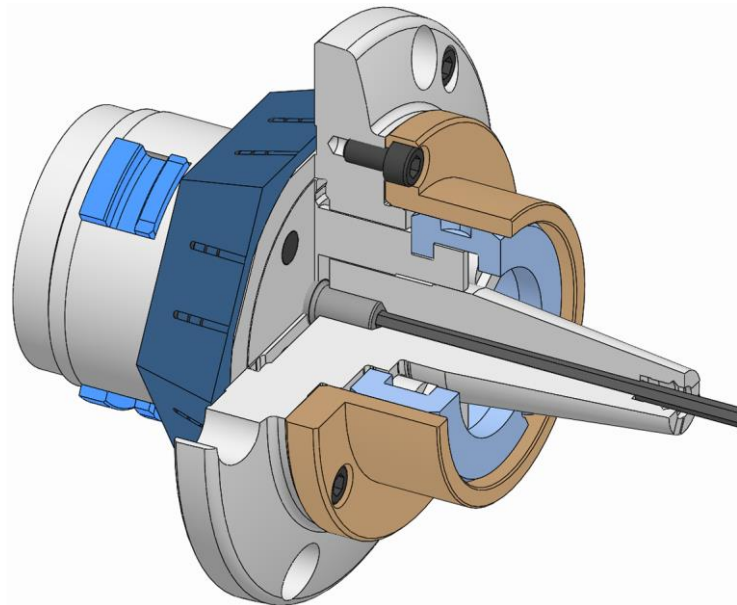
1. Unfasten and remove the screw plug.
2. Tighten the screw plug to its limit stop.



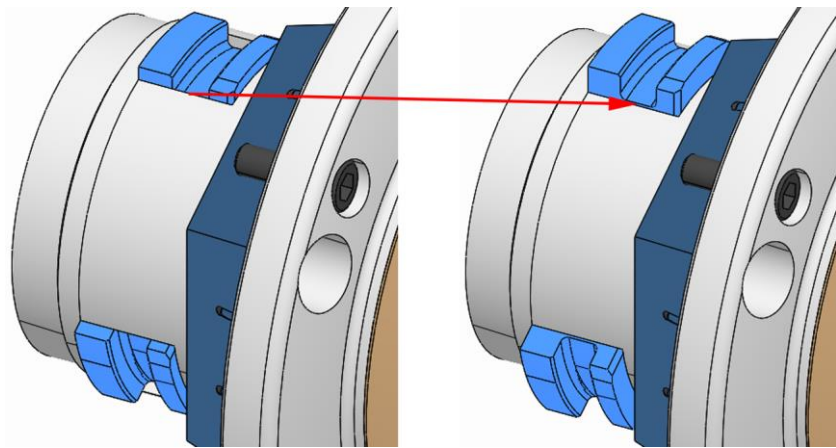
3. Unfasten the locking screw to its limit stop. Pay attention to movement of the coupling slider.



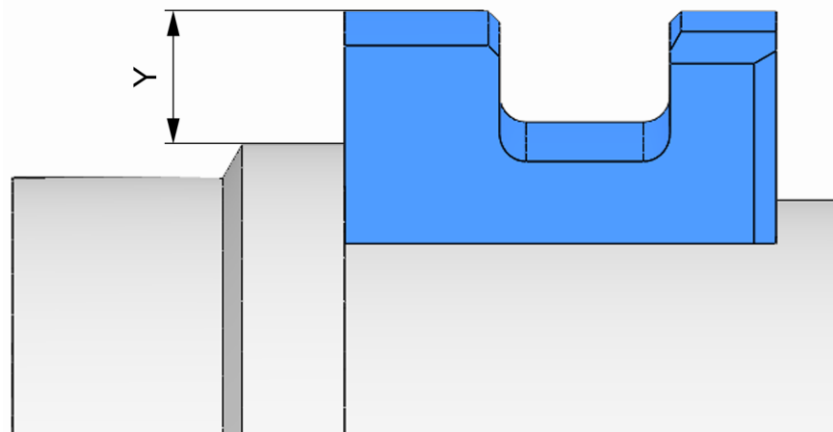
4. Check the movement of all coupling sliders. When unscrewing the screw plug, all coupling sliders must move inwards automatically.



5. Install the screw plug and tighten it to the specified tightening torque [see »Screw tightening torques« chapter]. Pay attention to movement of the coupling slider.



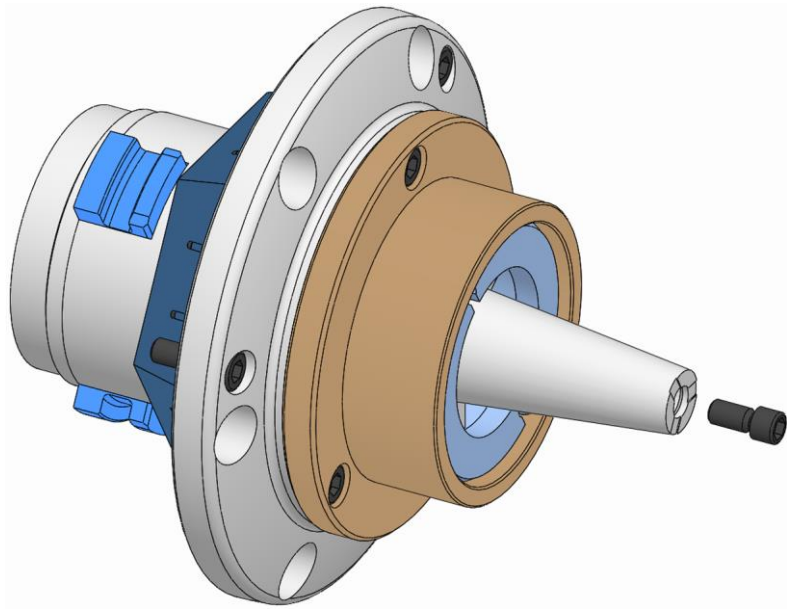
6. Check the movement of all coupling sliders. When screwing in the screw plug, all coupling sliders must move outwards automatically.



Size of the basic clamping device	Minimum dimension Y [mm]
52	8.7
65	5.3
80	6.8
100	9.7

Table 9: Minimum size Y of the coupling slider

7. Check the test dimension Y on all coupling sliders. Once the screw plug is fully screwed in, do not go below the minimum dimension Y [see table for minimum dimension Y of the coupling sliders].



8. Screw in the screw plug and tighten to the specified tightening torque [see »Screw tightening torques« chapter].

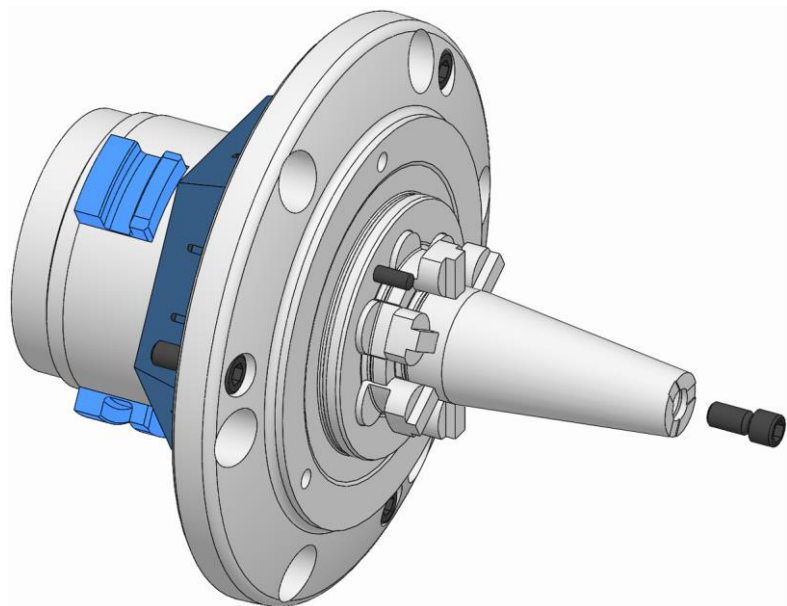
If the coupling slider does not move inwards automatically and/or if the minimum dimension limit is crossed, the product must be cleaned [see »Cleaning« chapter].

7.6.3 Preparation of the product

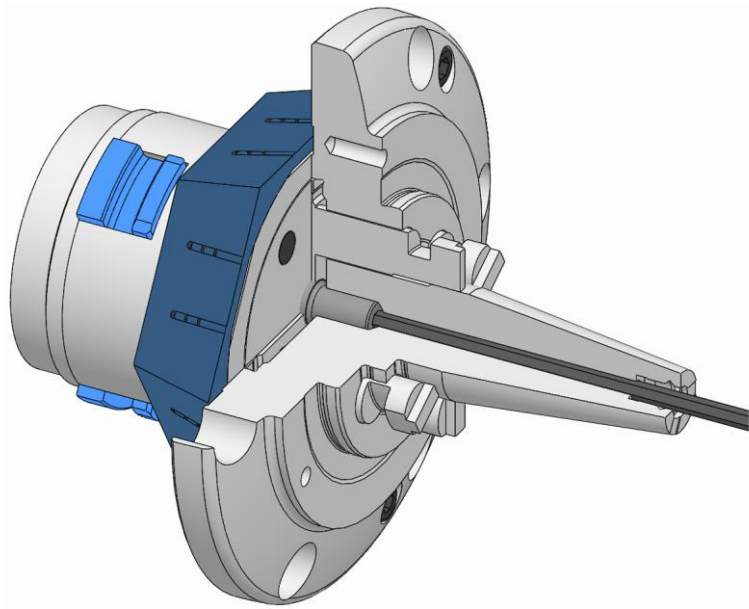
The product is supplied in assembled condition.

The following preparatory steps are needed to install the product.

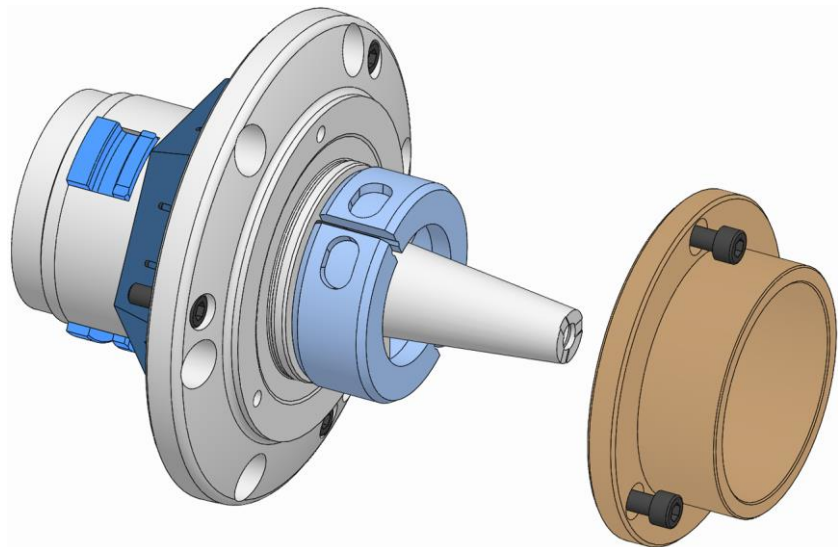
The following preparatory steps are needed to install the product if the coupling ring and the rotary extractor sleeve / the workpiece end-stop are included in the scope of delivery.



1. Unfasten and remove the screw plug.



2. Unfasten the locking screw to its limit stop.
The following preparatory steps are needed to install the product if the coupling ring and the rotary extractor sleeve / the workpiece end-stop are already installed.

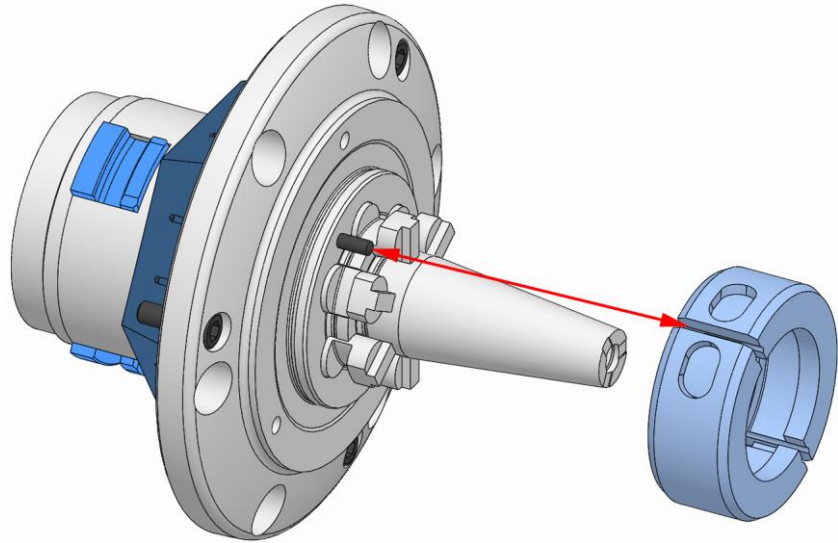


WARNING

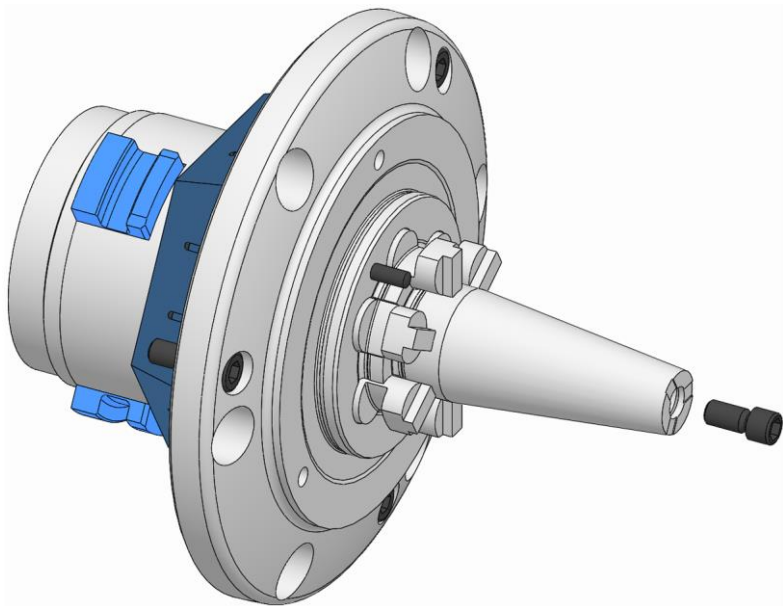
Serious injuries caused by the coupling ring being ejected centrifugally after incorrect installation!

- The coupling ring must never be installed without the rotary extractor sleeve / the workpiece end-stop.
- If installation / removal work is interrupted, either remove the coupling ring [rotary extractor sleeve / workpiece end-stop is not fully installed], or the rotary extractor sleeve / the workpiece end-stop must be fully installed before the interruption.

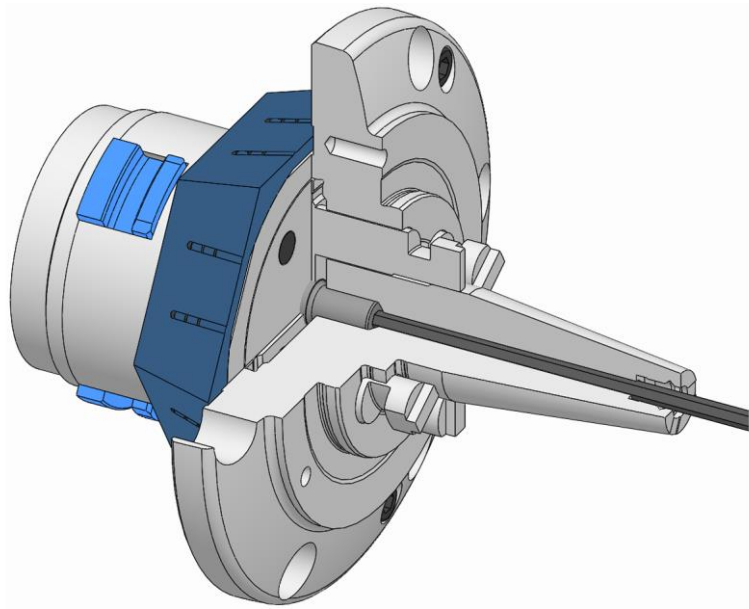
1. Remove the rotary extractor sleeve / the workpiece end-stop [see »Removal of the changing parts« chapter]. To do this, secure the coupling ring to prevent it from falling out.



2. Open the coupling ring and remove it.



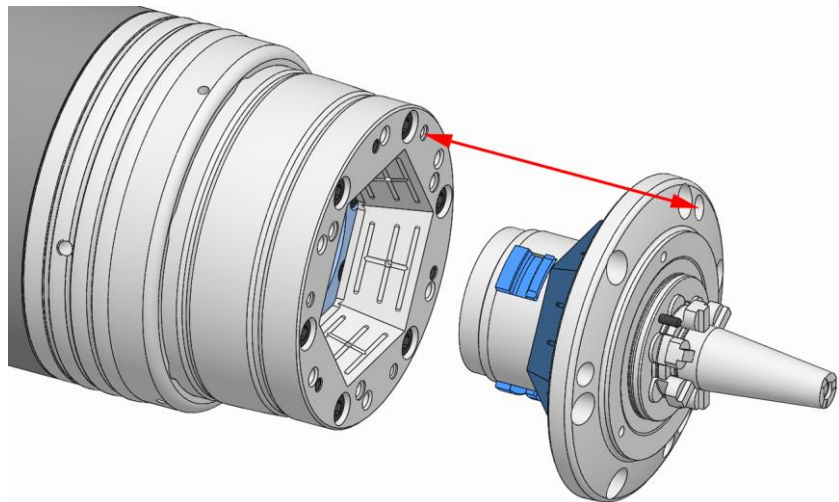
3. Unfasten and remove the screw plug.



4. Unfasten the locking screw to its limit stop.

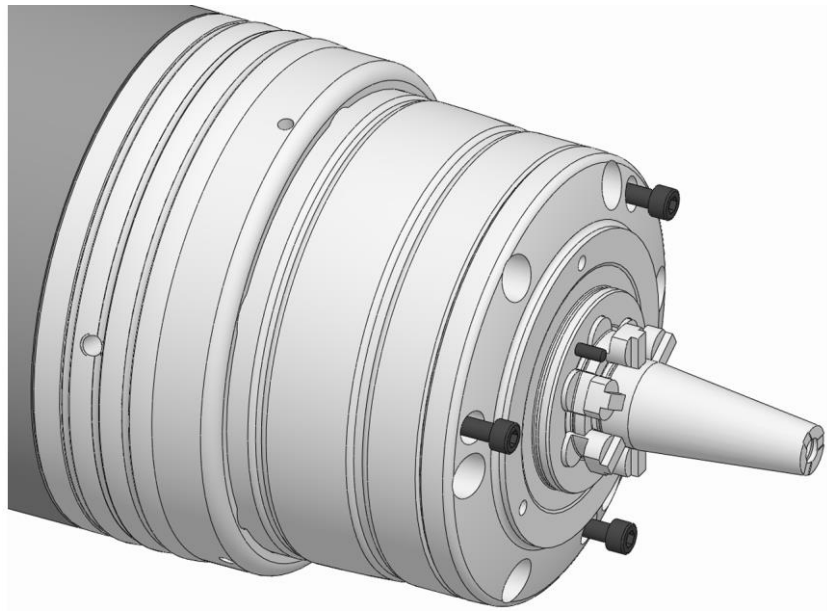
7.6.4 Installation of the adaptation clamping device

1. Attach any lifting gear that may be required.
2. If necessary, fit the mounting aid onto a vertically suspended spindle.
3. Move the basic clamping device into its release position.

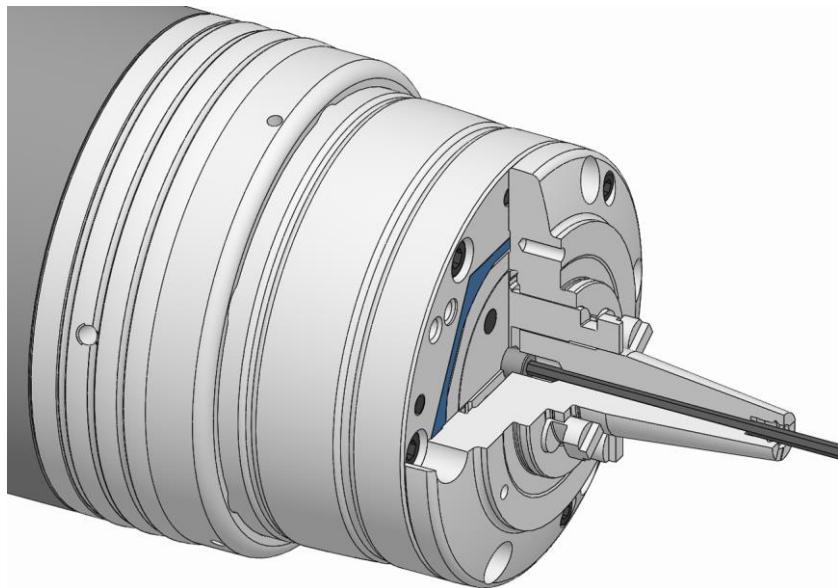


4. Set down the adaptation clamping device on the basic clamping device so that the hole pattern on the basic clamping device and the adaptation clamping devices are aligned. For this, the surfaces of the clamping taper in the basic clamping device and the adaptation clamping device must be aligned.

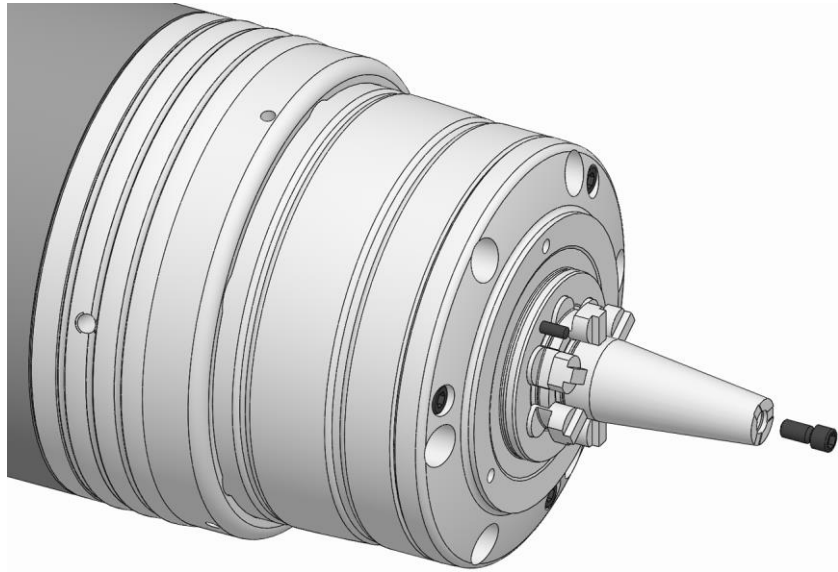
MANDO Adapt T212 Installation



5. Screw in the adaptation clamping device fixing screws and tighten to the specified tightening torque [see »Screw tightening torques« chapter].



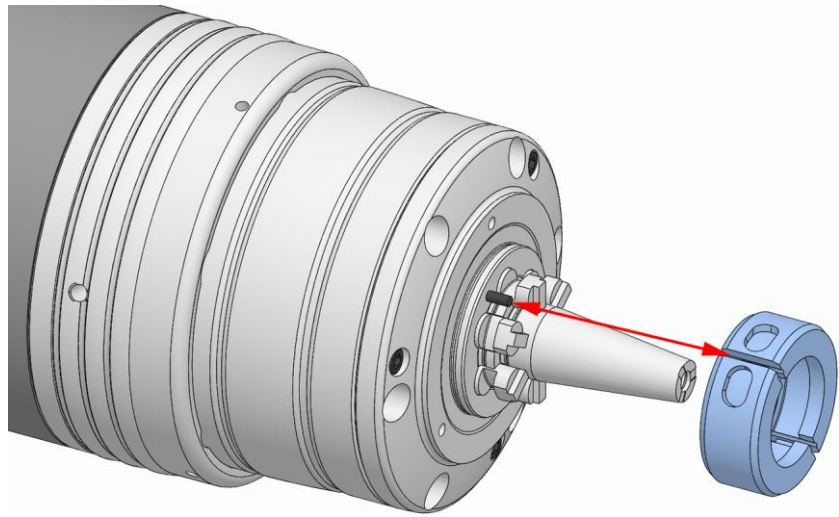
6. Install the screw plug and tighten it to the specified tightening torque [see »Screw tightening torques« chapter].



7. Screw in the screw plug and tighten to the specified tightening torque [see »Screw tightening torques« chapter].
8. Unfasten and remove any lifting gear that may have been required.
9. Remove the mounting aid on a vertically suspended spindle if one was used.

If a clamping element is to be installed, proceed with installation of the clamping element [see »Installation of the clamping element« chapter].

If no clamping element is to be installed, the following steps are required.



WARNING

Serious injuries caused by the coupling ring being ejected centrifugally after incorrect installation!

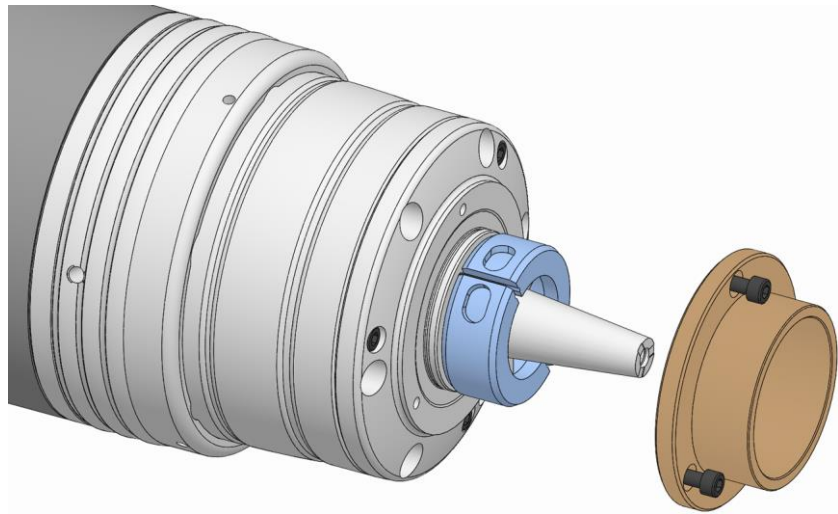
- The coupling ring must never be installed without the rotary extractor sleeve / the workpiece end-stop.
- If installation / removal work is interrupted, either remove the coupling ring [rotary extractor sleeve / workpiece end-stop is not fully installed], or the rotary extractor sleeve / the workpiece end-stop must be fully installed before the interruption.



INFORMATION

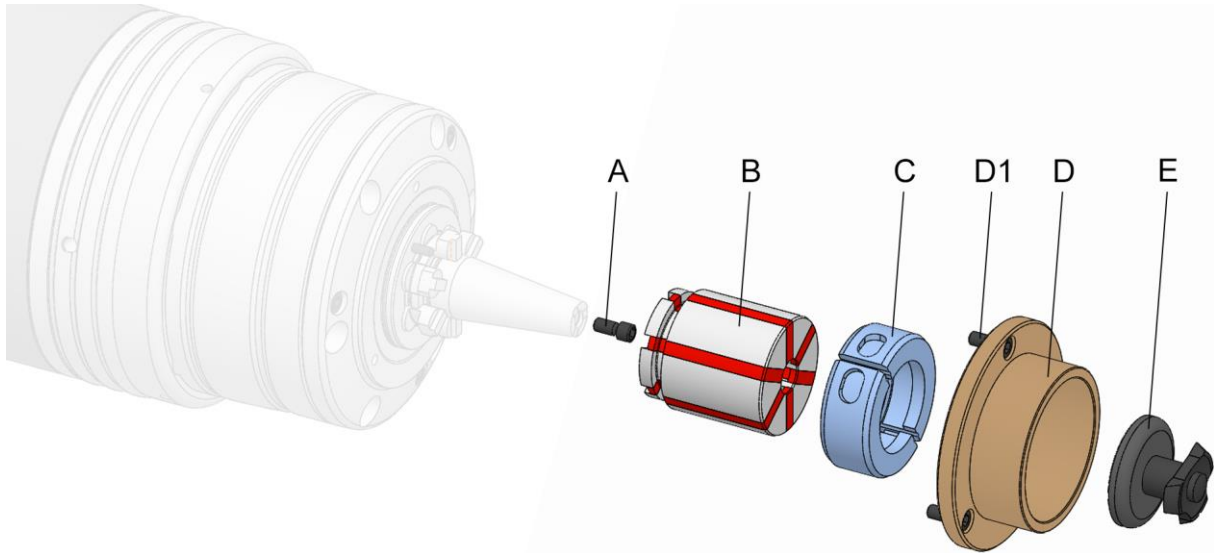
Depending on size, positioning marks can be applied to the coupling ring and the product.

10. Place the coupling ring around the coupling on the product so that the pins in the product are aligned with the bores in the coupling ring, paying attention to the marks if necessary. For this, the coupling ring must engage in the groove in the coupling. Keep the coupling ring closed.



11. Install the rotary extractor sleeve / the workpiece end-stop over the coupling ring on the product [see »Installation of the changing parts« chapter].

7.7 Installation of the clamping element



- A Screw plug
- B Segment clamping bushing [clamping element]
- C Coupling ring
- D Twist-off sleeve / workpiece end-stop
- D1 Retaining screws on twist-off sleeve / workpiece end-stop
- E Changing aid

Special aids needed:

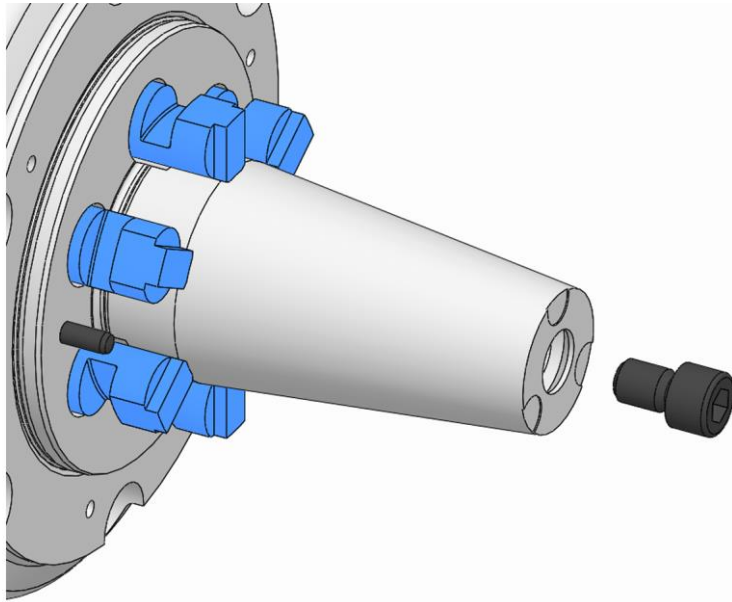
- If necessary, use a changing aid [depending on size]
1. As described in the »Preparation of the machine for installation« chapter, prepare for the following steps.



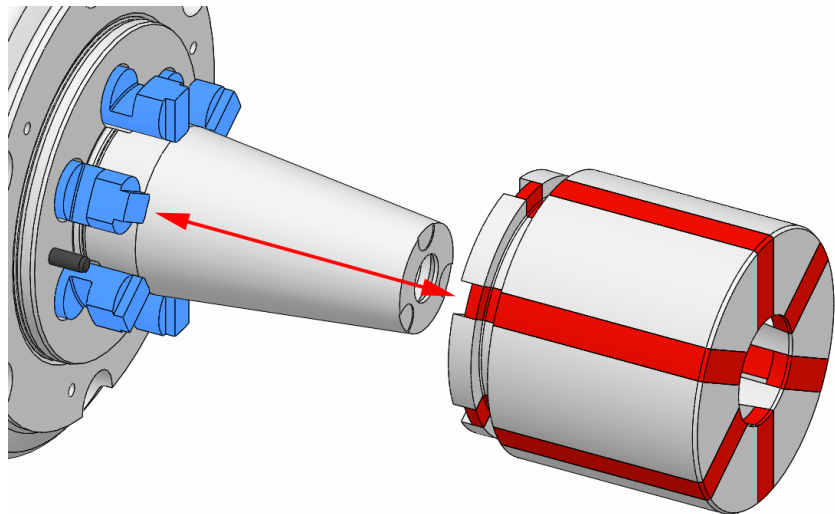
INFORMATION

To install the clamping element, the rotary extractor sleeve / the workpiece end-stop and the coupling ring must be removed [see »Preparation of the product« chapter].

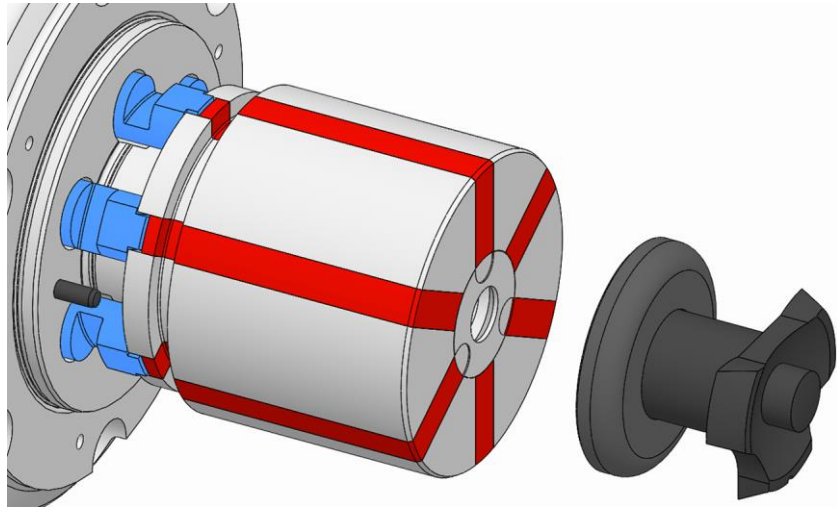
2. Move the clamping device into release position.



3. If a changing aid is included in the scope of delivery, unfasten and remove the screw plug.



4. Fit the segmented clamping bushing to the product and secure it to prevent it from falling out. For this, the slots in the segmented clamping bushing must engage in the lugs in the coupling.

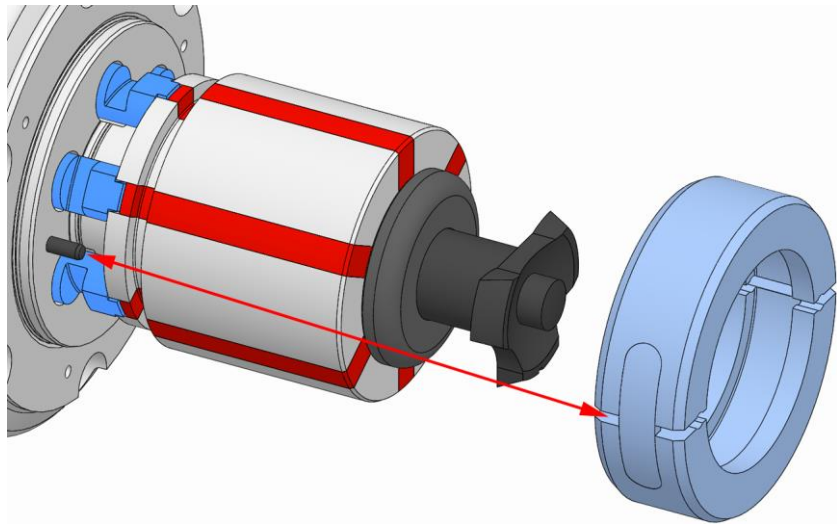


CAUTION

Injuries caused by falling clamping element when installed / removed incorrectly!

- Secure the clamping element to prevent it from falling out.
- If a changing aid is included in the scope of delivery, use it to secure the clamping element.

5. If necessary, fit the changing aid.



WARNING

Serious injuries caused by the coupling ring being ejected centrifugally after incorrect installation!

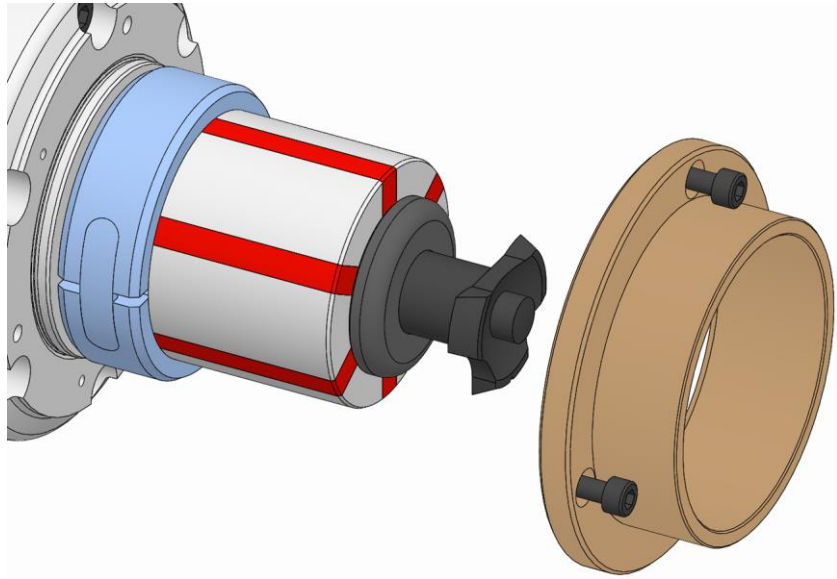
- The coupling ring must never be installed without the rotary extractor sleeve / the workpiece end-stop.
- If installation / removal work is interrupted, either remove the coupling ring [rotary extractor sleeve / workpiece end-stop is not fully installed], or the rotary extractor sleeve / the workpiece end-stop must be fully installed before the interruption.



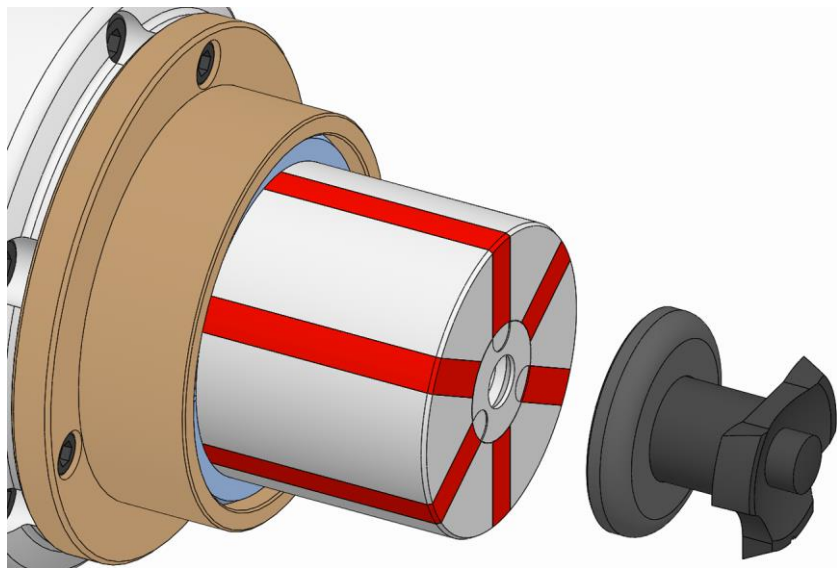
INFORMATION

Depending on size, positioning marks can be applied to the coupling ring and the product.

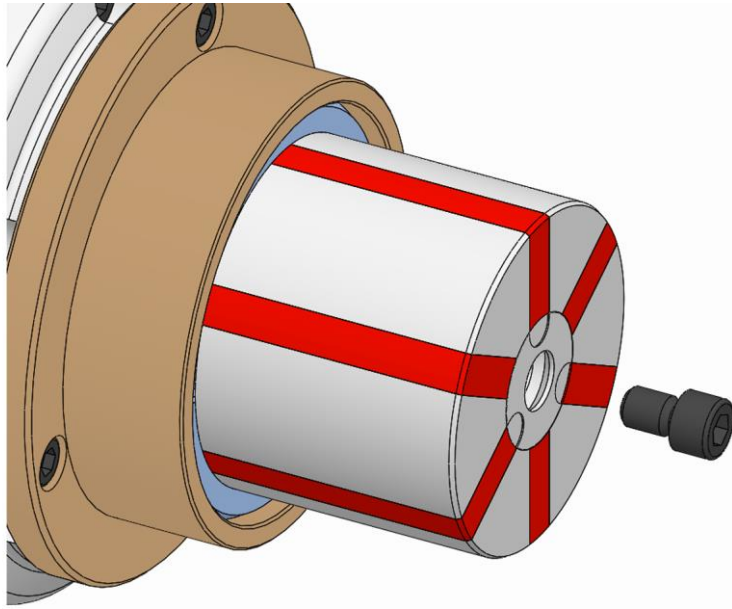
6. Place the coupling ring around the coupling on the product and the segmented clamping bushing so that the pins in the product are aligned with the bores in the coupling ring, paying attention to the marks if necessary. For this, the coupling ring must engage in the groove in the coupling and the segmented clamping bushing. Keep the coupling ring closed.



7. Install the rotary extractor sleeve / the workpiece end-stop over the coupling ring on the product [see »Installation of the changing parts« chapter].

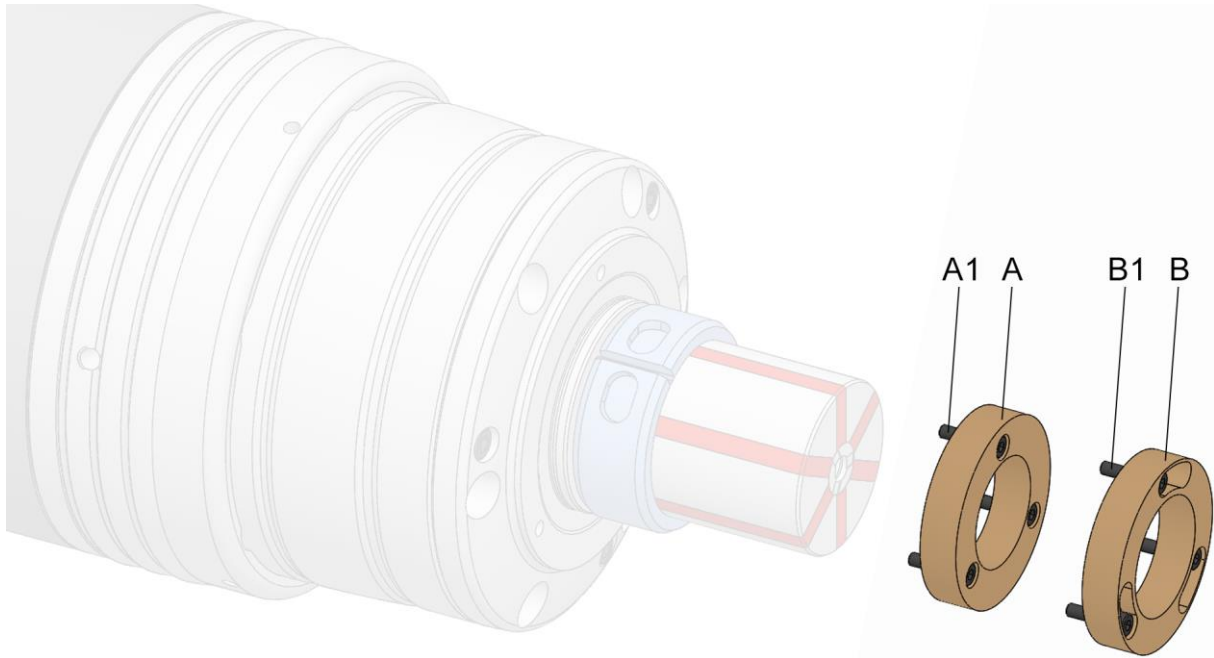


8. Unfasten and remove the changing aid, which is used where necessary.

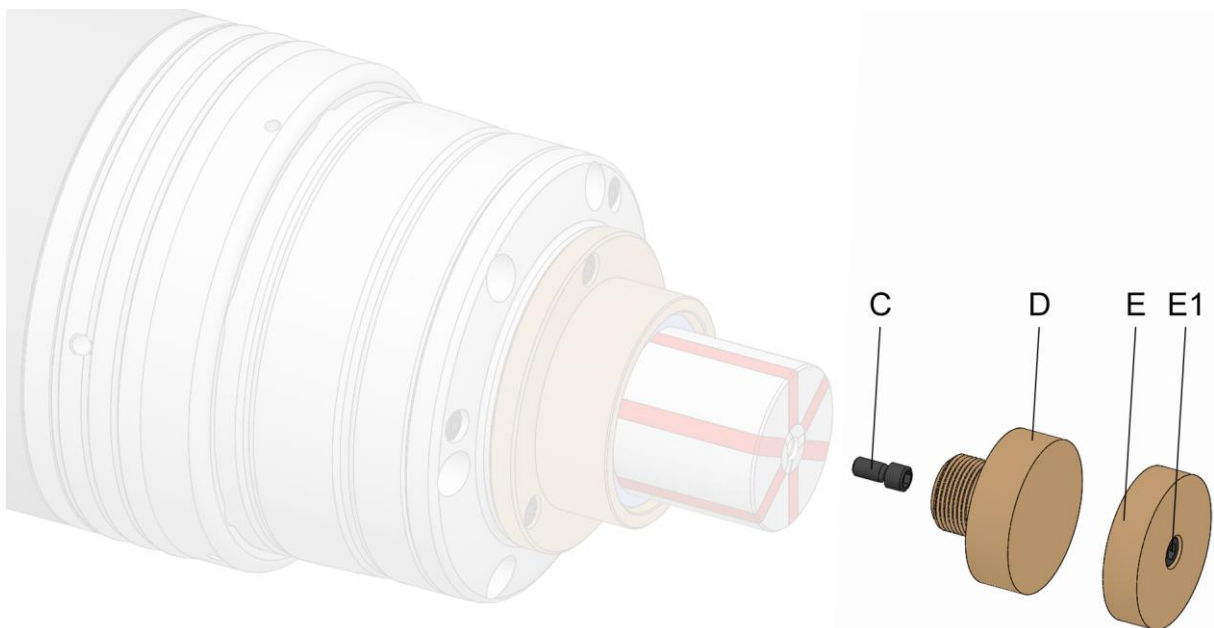


9. Screw in the screw plug and tighten to the specified tightening torque [see »Screw tightening torques« chapter].

7.8 Installation of the changing parts



- A Changing part variant x-times axial screwed connection
- A1 Fixing screws, changing part variant x-times axial screw connection
- B Changing part variant x-times axial screw connection bayonet
- B1 Fixing screws changing part variant x-times axial screw connection bayonet



- C Screw plug
- D Changing part variant, direct screw connection
- E Changing part variant central axial screw connection
- E1 Fixing screws, changing part variant, central, axial screw connection



DANGER

Serious injuries caused by workpieces being ejected centrifugally if the coupling ring is not secured properly!

- Always secure the coupling ring with the rotary extractor ring / a changing part.
- If the front thread on the mandrel body is used to install a changing part, always secure the coupling ring with the rotary extractor sleeve / another changing part.

The changing parts, such as the workpiece end-stop, can be installed in different ways.



If necessary, in addition to these operating instructions, you should also read and follow the operating instructions for the relevant changing parts.

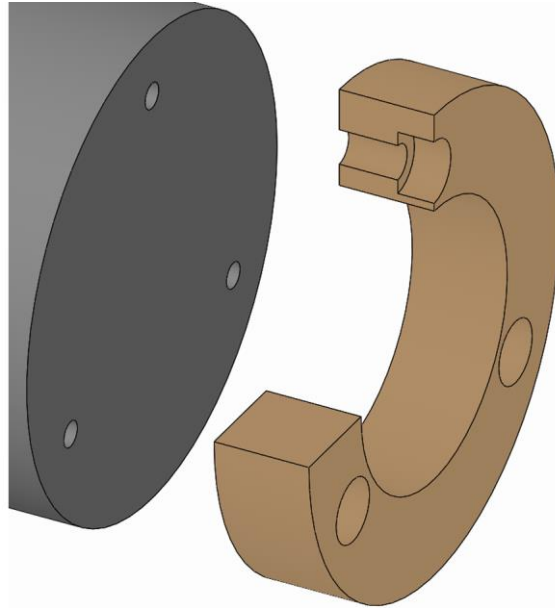
1. As described in the »Preparation of the machine for installation« chapter, prepare for the following steps.
2. Move the clamping device into release position.



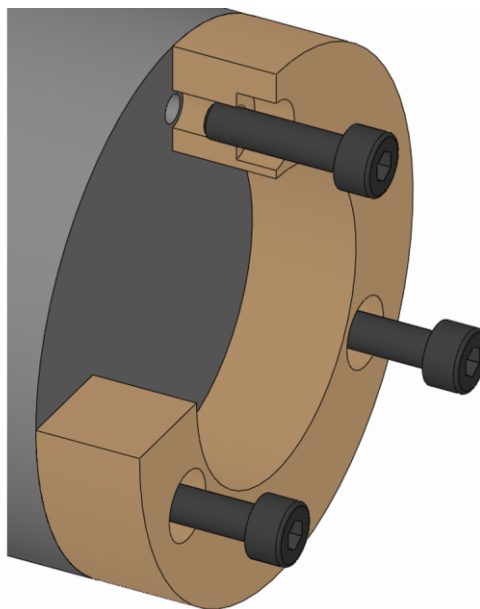
INFORMATION

If necessary, the changing part is positioned. Positioning can for example be performed by marks, or a cylindrical pin and a bore or a groove.

7.8.1 Installation of the variant x-times with axial screw connection



1. Place the changing part onto the product.



2. Screw in the changing part fixing screws on the changing part and tighten to the specified tightening torque [see »Screw tightening torques« chapter].

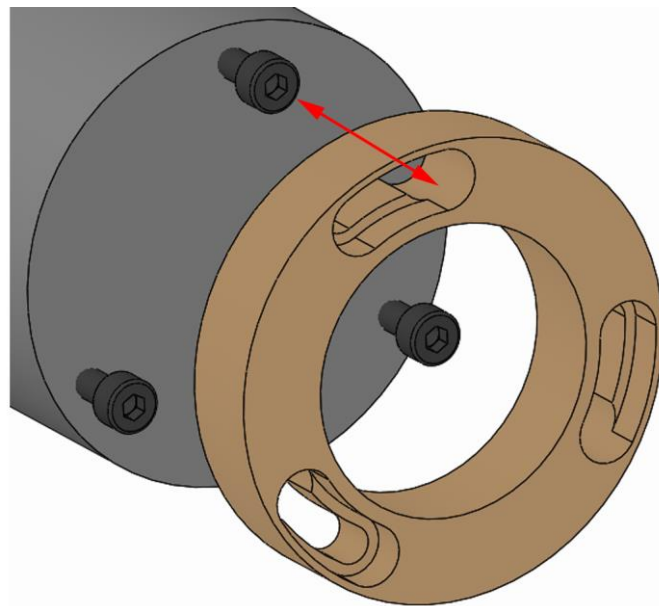
7.8.2 Installation of the variant x-times with bayonet axial screw connection



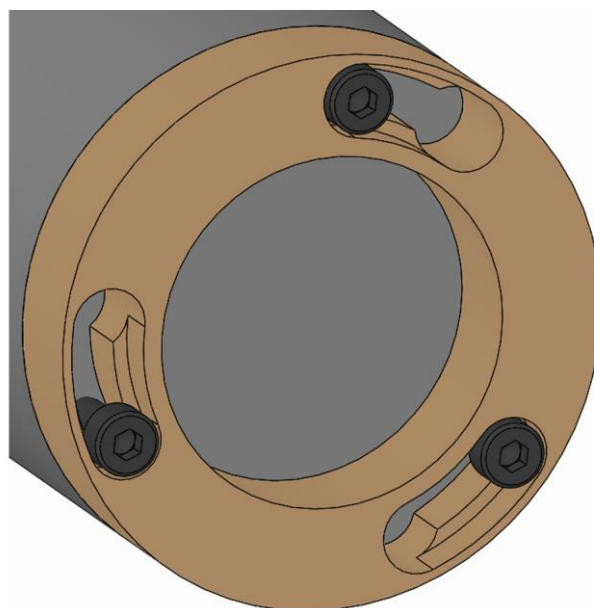
INFORMATION

Initial installation of the changing part with bayonet is in accordance with the variant with an x-times axial screw connection, see »Installation of x-times variant with axial screw connection«.

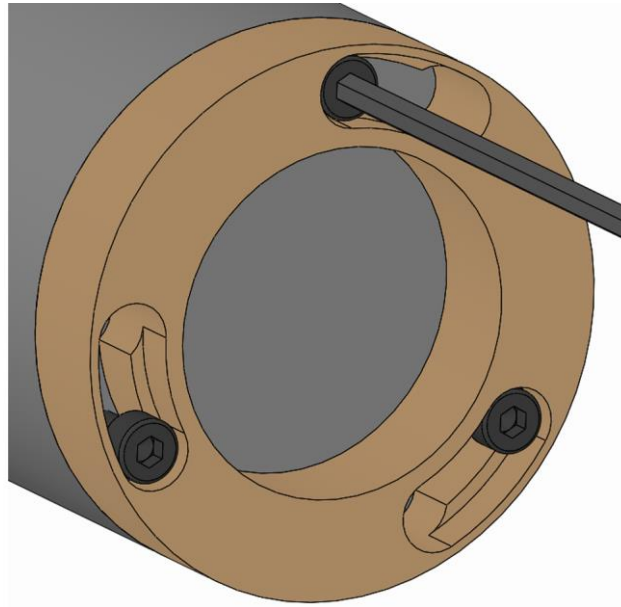
After initial installation, the changing part fixing screws remain in the clamping device.



1. Place the changing part on the product so that the screw head on the changing part fixing screw fits through the bayonet opening.

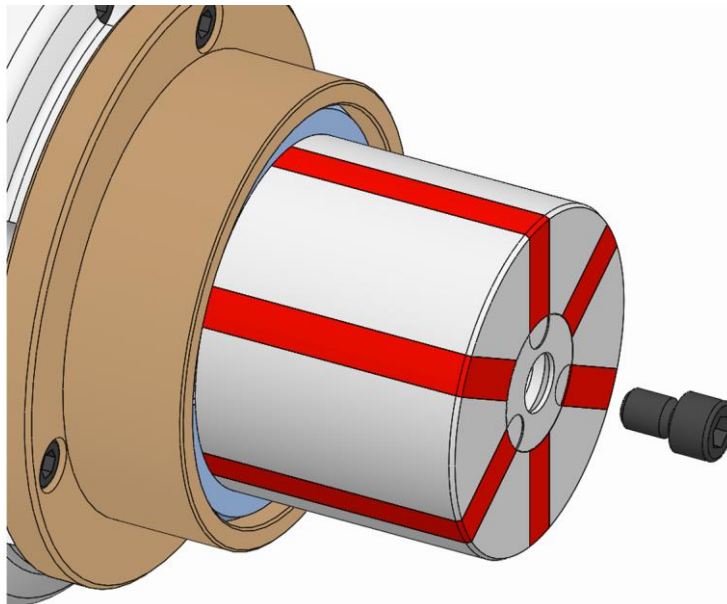


2. Twist the changing part until firmly home.

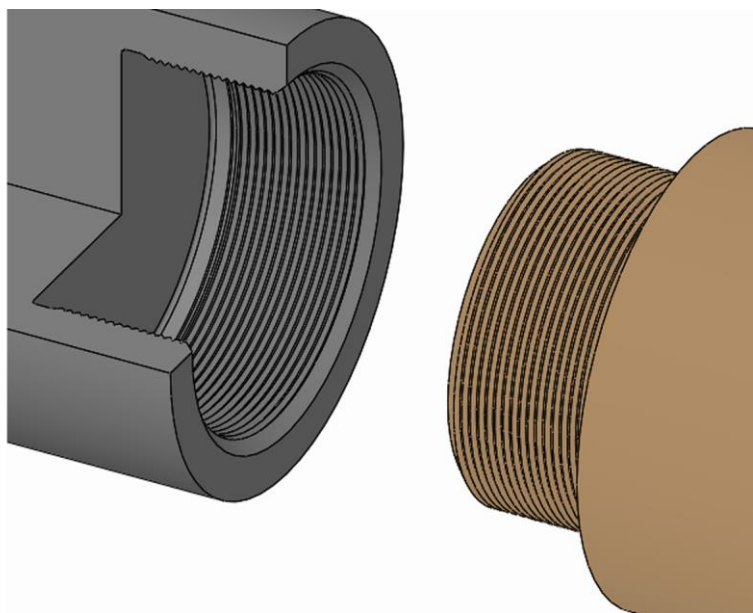


3. Screw in the changing part fixing screws and tighten to the specified tightening torque [see »Screw tightening torques« chapter].

7.8.3 Installation of the variant, screwed directly

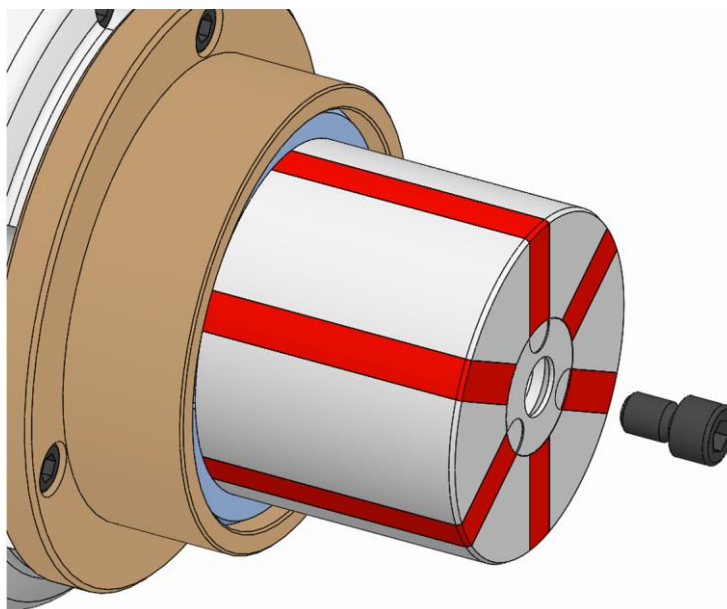


1. Unfasten and remove the screw plug.

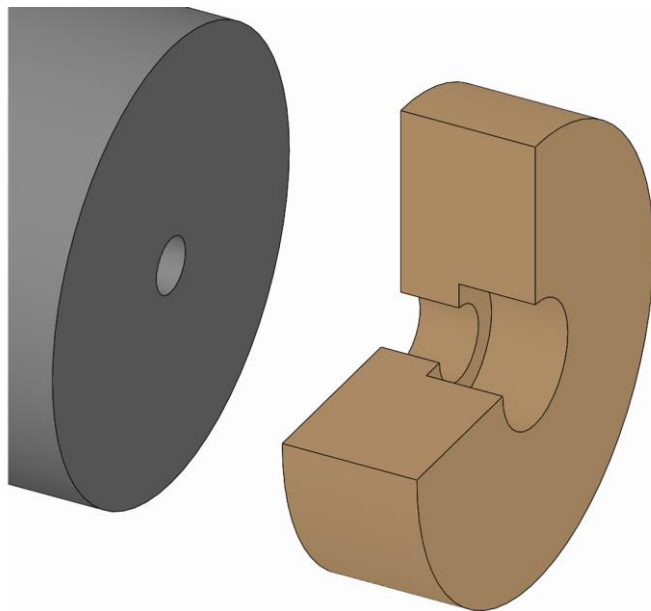


2. Screw the changing part into the product using its thread, and tighten it down.

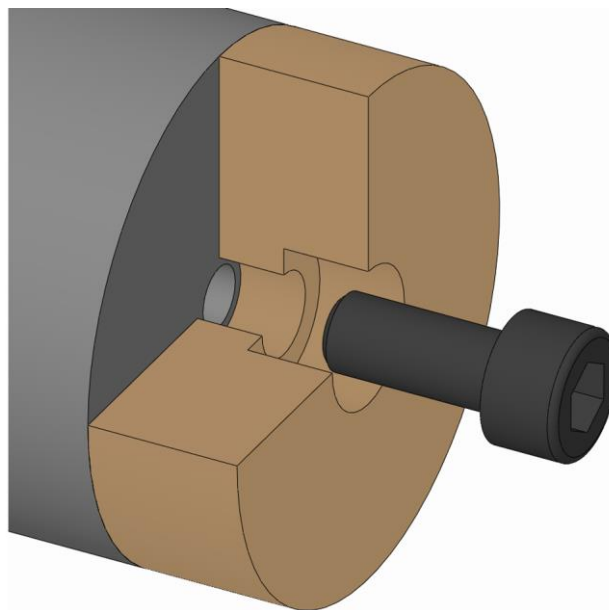
7.8.4 Installation of the central variant with axial screw connection



1. Unfasten and remove the screw plug.



2. Place the changing part onto the product.



3. Screw in the changing part fixing screw and tighten it to the specified tightening torque [see »Screw tightening torques« chapter].

8 Commissioning

For commissioning purposes, set the operating pressure to the permitted, established machining value.

The machine tool must not start up until full operating pressure has built up.

8.1 Commissioning safety



DANGER

Serious injuries caused by workpieces being ejected centrifugally or dropping out if clamping force is insufficient!

- Workpiece blanks must not be outside the clamping width diameter.
- Prior to commissioning, set the actuation force to the permitted, established machining value.
- Clamping of the workpiece must not be outside the defined limits [see »Limits of use« chapter].
- Check the clamping force at regular intervals and correct if necessary.



WARNING

Serious injuries can be caused if the machine tool starts up accidentally!

- Prior to commissioning, close all safety doors or hoods on the machine tool.



WARNING

Serious injuries caused by tools and items of test equipment being ejected centrifugally!

- Prior to commissioning, ensure that all tools and items of test equipment are removed from the working area of the machine.



NOTE

Serious damage to materials / the product caused by workpieces being ejected centrifugally or dropping out if clamping force is insufficient!

- Workpiece blanks must not be outside the clamping width diameter.
- Prior to commissioning, set the actuation force to the permitted, established machining value.
- Clamping of the workpiece must not be outside the defined limits [see »Limits of use« chapter].
- Check the clamping force at regular intervals and correct if necessary.



NOTE

Damage to components caused by cooling lubricants with sufficient levels of corrosion inhibitor!

- The components made of steel materials must be protected before the usual oxidation process.
- Only ever use cooling lubricants with sufficient levels of corrosion inhibitor.



NOTE

Damage to materials caused by contaminated / unprocessed cooling lubricants!

- For the product to function properly, in particular for internal flushing with cooling lubricants and/or when using tools with internal flushing, ensure that the cooling lubricant is cleaned / processed, and that it contains no particles measuring >100 microns [filtered with a mesh width of 100 microns].



NOTE

Damage to seals caused by using the wrong coolant lubricants!

- To clean the product, never use a cooling lubricant that attacks and damages the sealing elements installed. Those installed sealing elements can be made of NBR, Viton and PUR materials.
- Never use cooling lubricants that contain ester or a polar solvent.



NOTE

Damage to clamping elements caused by using the wrong cooling lubricants!

- Never use cooling lubricants that contain ester or a polar solvent.

8.2 Checking the total stroke



WARNING

Serious crushing injuries caused by moving parts when stroke positions are being tested!

- Set the machine into set-up mode.
- Reduce the operating pressure to a minimum.
- Never reach into moving parts.
- Pay attention to the gap dimensions of moving parts.

Prior to commissioning, check the complete stroke to ensure that there is sufficient reserve stroke and opening stroke.

For this, the same measurement of the moving part must be performed at fixed points in front and rear limit positions.

Then deduct the value obtained in the rear limit position from the value obtained from the front limit position. This figure must then be equal to or greater than the nominal total stroke.

For the axial nominal total stroke, the values of axial clamping reserve and axial release stroke must be added together [see »General information« chapter].

8.3 Tests



NOTE

Serious damage to, or destruction of, the machine tool and the workpiece caused by damaged, incomplete or incorrectly installed products!

- Only install undamaged and complete products properly.
- If in doubt, contact the manufacturer.

Assure the following points before every installation and/or before every time the products are put into service:

- The products used are undamaged.
- All fixing screws are present on the products, and are tightened to the correct tightening torque.
- None of the rubber segments on the clamping elements and attachments are torn or exhibit porous areas.
- Serrations and grooved profiles must not be excessively rounded because this would prevent the friction coefficient from being achieved.
- None of the edges and races are chipped or show any signs of wear.
- The speed set on the machine tool must not exceed the maximum speed of the product. Always take the lowest value of all maximum speeds for combined products indicated.

- Pay attention to the level of actuating force established to enable the workpiece to be clamped with sufficient clamping force.
- Do not exceed the maximum actuating force indicated on the product. Always take the lowest value of all actuating forces indicated for combined products.
- All installation tools are removed from the machining area.
- Clamping device and workpiece are compatible - check clamping diameter on a regular basis.
- Conduct a clamping force measurement.

8.4 Workpiece



DANGER

Serious injuries caused by parts being ejected centrifugally if level of workpiece clamping is insufficient!

- Never utilize the full clamping reserve.
- Do not exceed the permitted maximum clamping reserve stroke.
- The remaining clamping reserve must always be adapted to suit the workpiece material provided and its possible distortions.



WARNING

Crushing injuries to hands / fingers if workpiece is installed incorrectly!

- Do not place hands / fingers between workpiece and clamping device.
- Never reach into the clamping area.



CAUTION

Burns caused by high workpiece temperature!

- Give preference to automatic loading.
- Also wear the following items of personal protective equipment, in addition to the basic equipment:



8.5 Procedure after a collision

In the event of a collision, the product and its components must be checked for cracks and damage before being used again.

For this, remove the product from the machine [see »Removal of the product« chapter] and dismantle it [for level of disassembly, see »Cleaning« chapter].

9 Activities after end of production

1. Move product into release position.
2. Switch off machine tool and secure it to prevent it from being switched back on.
3. Open the safety door / hood.



WARNING

Eye injuries and cuts caused by failure to wear protective clothing during cleaning operation!

- Never use compressed air to clean the product.
- Also wear the following items of personal protective equipment, in addition to the basic equipment:



4. Clean the product of swarf and production residue with a soft, lint-free cloth and apply a light coating of oil.
5. Close the safety door / hood.

10 Removal

If a break in production occurs that lasts for more than three days, the product must be removed and stored safely in accordance with the manufacturer's stipulations [see »Transport, packaging, storage« chapter].

10.1 Safe removal



WARNING

Serious injuries caused by unskilled staff during installation / removal!

- Installation and removal must be performed by skilled staff from the relevant specialist field.



WARNING

Serious injuries can be caused if the machine tool starts up accidentally!

- Set the machine tool into set-up mode.
- Remove all tools, auxiliary equipment and items of test equipment immediately from the working area of the machine.
- Remove all lifting gear from the product and from the working area of the machine.



WARNING

Serious injuries caused by the escape of media under high pressure!

- Shut down media delivery during installation and removal.
- Relieve any pressure trapped in the system.
- Shut down the system.



WARNING

Serious crushing injuries and breakages caused by falling parts during incorrect installation or removal!

- Ensure that the product cannot roll away or fall.
- If necessary, use an appropriate mounting aid for installation or removal on a vertically suspended machine spindle.



WARNING

Serious crushing injuries caused by improper machine movement during installation or removal!

- Machine movements are only permitted in set-up mode during installation and removal.
- Never reach into a gap.
- Pay attention to the gap dimensions of moving parts.



WARNING

Serious head injuries caused by bending into the working area of the machine!

- Only ever bend into the working area of the machine if there are no cutting tools or sharp objects in it, or if these are covered.
- Never move body parts under parts in the working area of the machine with the potential to drop down.
- Depending on weight, use an appropriate mounting aid for installation or installing on a vertically suspended machine spindle.



WARNING

High level of physical strain due to the weight of the product or of its components if not transported properly!

- From a weight of 10 kg, use appropriate transport equipment, lifting gear and lifting tackle.



CAUTION

Serious cut injuries caused by sharp-edged changing parts and/or clamping elements!

- All installation / removal of changing parts and clamping elements must be performed by skilled staff from the relevant specialist field.



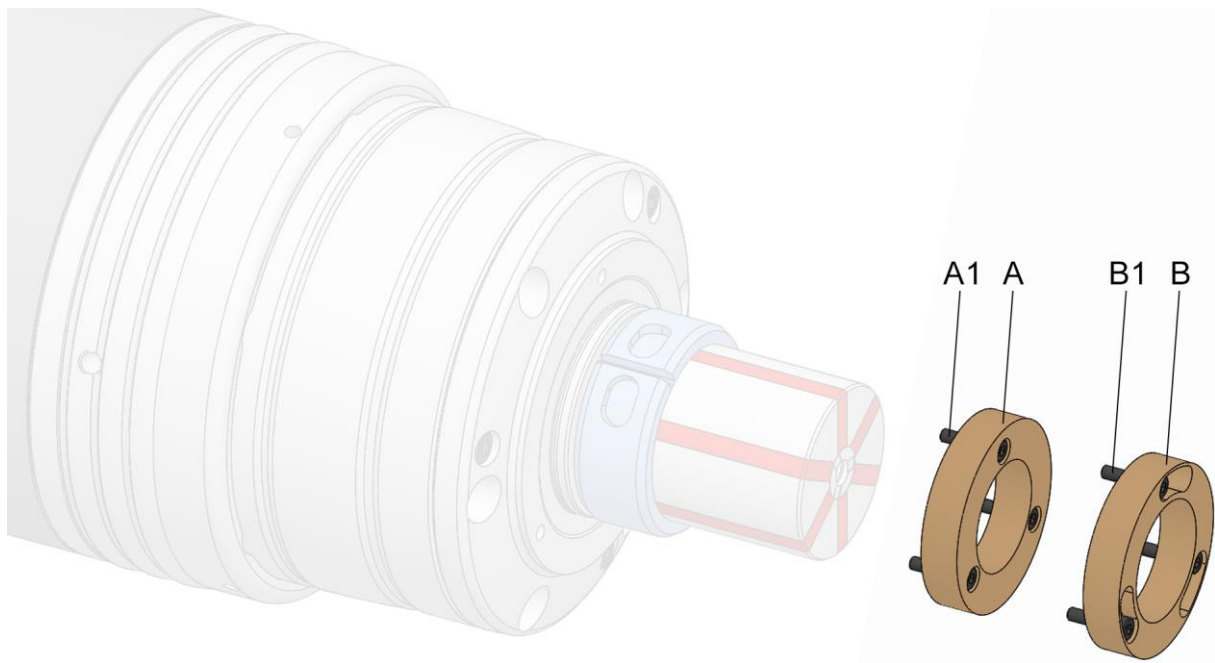
INFORMATION

If necessary, use any forcing / extraction threads in the components of the product, changing parts or clamping elements.

10.2 Preparing the machine for removal

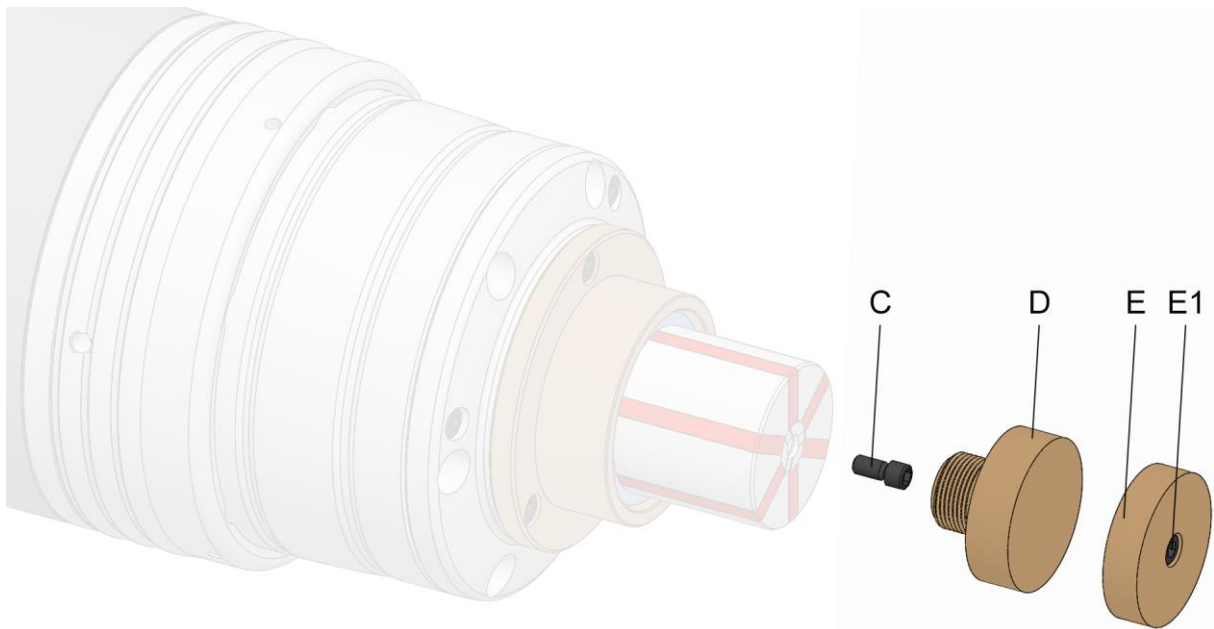
1. Set the machine into set-up mode.
2. Reduce the operating pressure to a minimum.
3. Remove cutting tools and/or sharp objects from the working area of the machine, or cover them.
4. Remove operating and auxiliary materials as well as remaining processing materials and dispose of them in an environmentally responsible manner.

10.3 Removal of the changing parts



- A Changing part variant x-times axial screwed connection
- A1 Fixing screws, changing part variant x-times axial screw connection
- B Changing part variant x-times axial screw connection bayonet
- B1 Fixing screws changing part variant x-times axial screw connection bayonet

MANDO Adapt T212 Removal



- C Screw plug
- D Changing part variant, direct screw connection
- E Changing part variant central axial screw connection
- E1 Fixing screws, changing part variant, central, axial screw connection



DANGER

Serious injuries caused by workpieces being ejected centrifugally if the coupling ring is not secured properly!

- Always secure the coupling ring with the rotary extractor ring / a changing part.

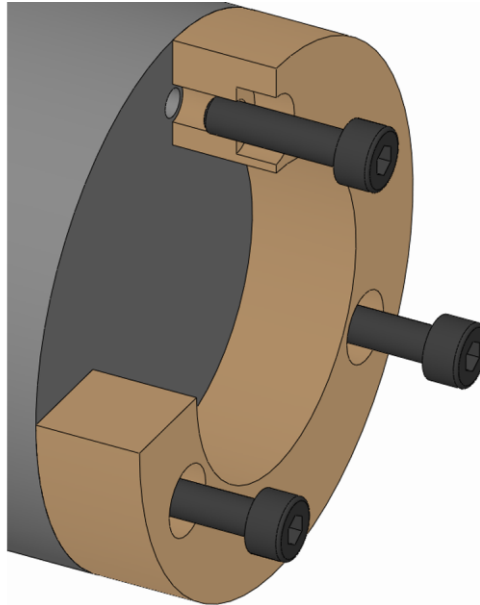
Depending on the version of changing parts, they can be removed as follows.



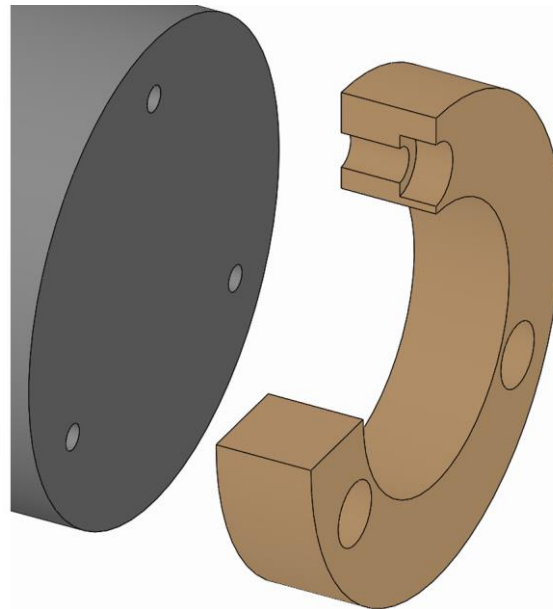
If necessary, in addition to these operating instructions, you should also read and follow the operating instructions for the relevant changing parts.

1. As described in the »Preparing the machine for removal« chapter, prepare for the following steps.
2. Move the clamping device into release position.

10.3.1 Removal of the variant x-times with axial screw connection

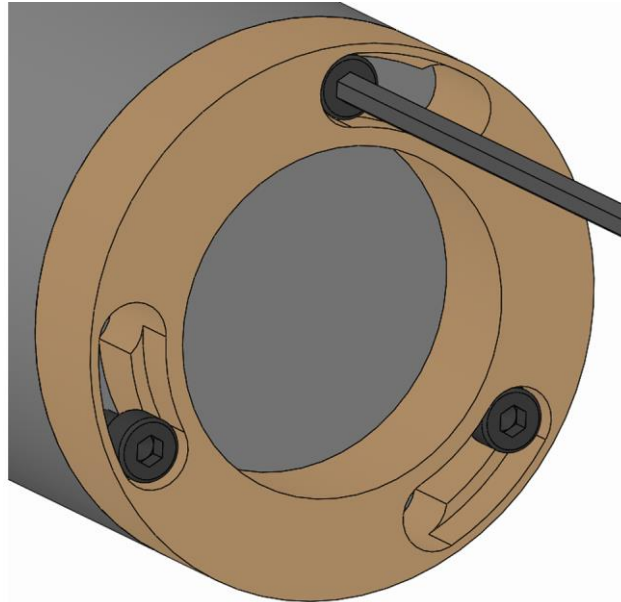


1. Unfasten and remove the fixing screws on the changing part.

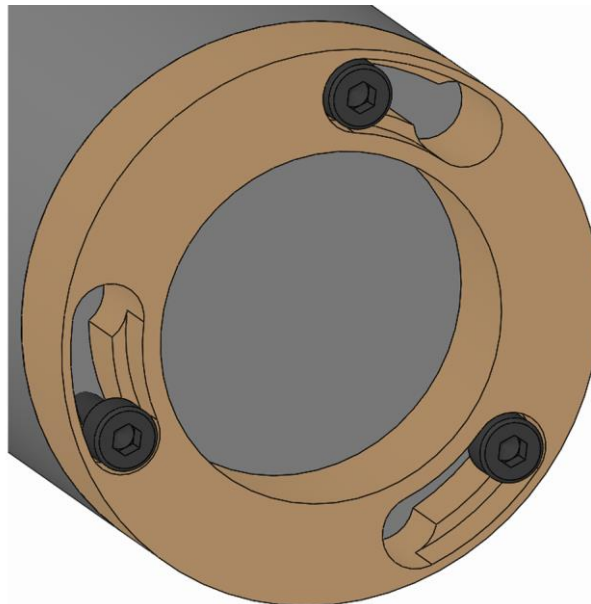


2. Take the changing part off the product.

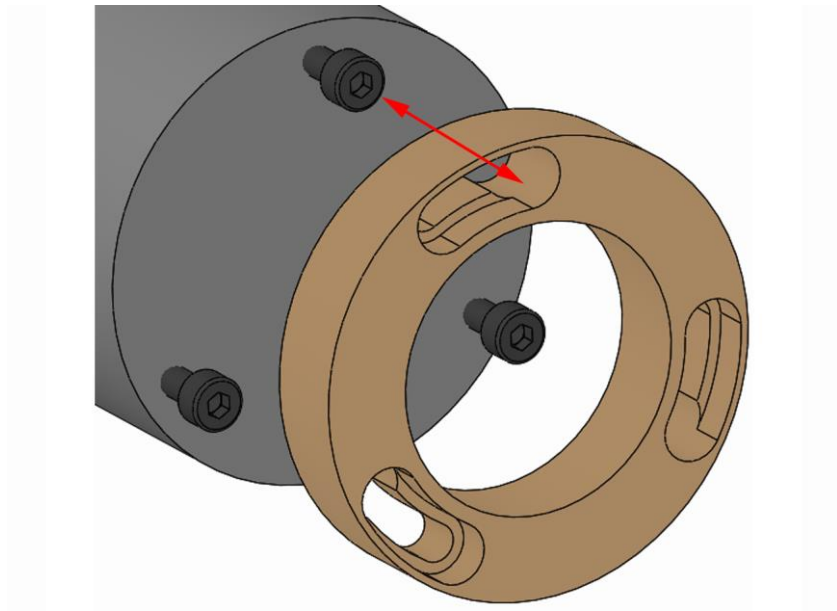
10.3.2 Removal of the variant x-times with axial screw connection bayonet



1. Unfasten the fixing screws on the changing body a few turns without removing them.

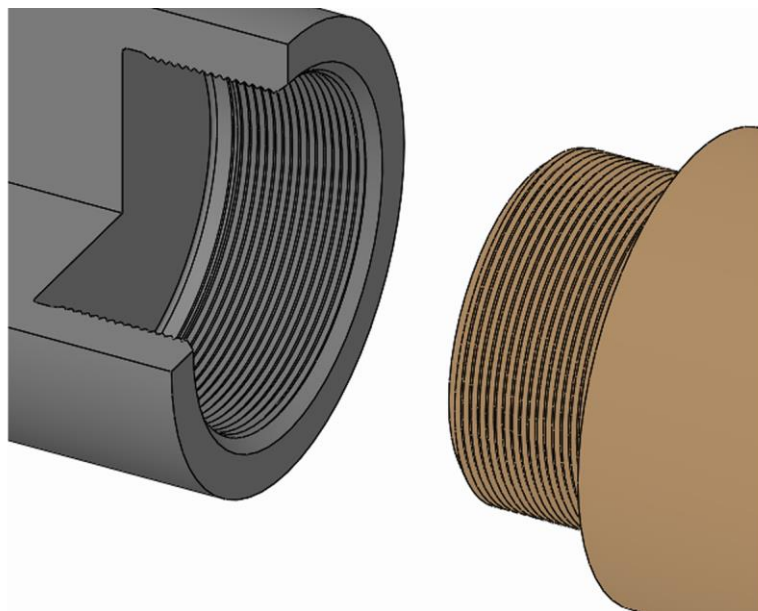


2. Turn the changing part until the screw head on the changing part fixing screw fits through the bayonet opening.

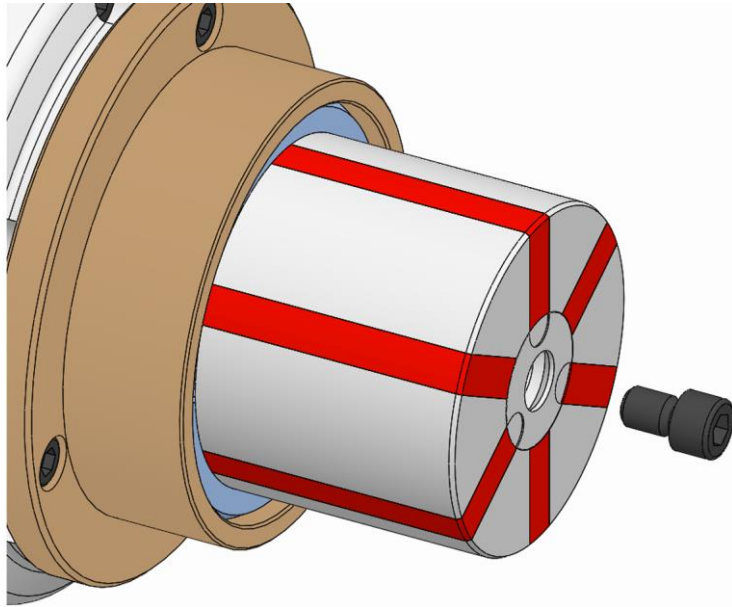


3. Take the changing part off the product.

10.3.3 Removal of the variant with direct screw connection

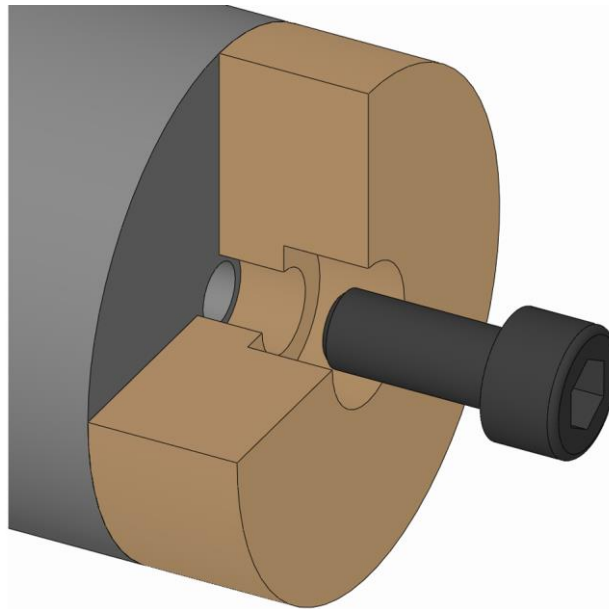


1. Unscrew the changing part from the product using its thread.



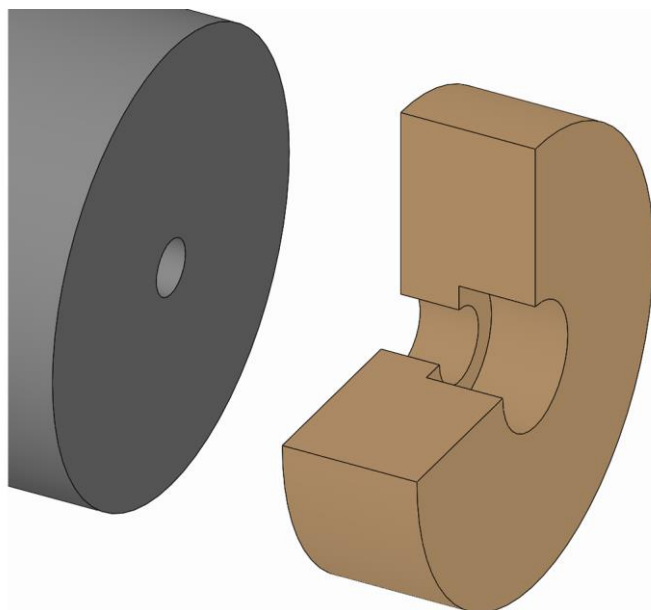
2. Screw in the screw plug and tighten to the specified tightening torque [see »Screw tightening torques« chapter].

10.3.4 Removal of the central variant with axial screw connection

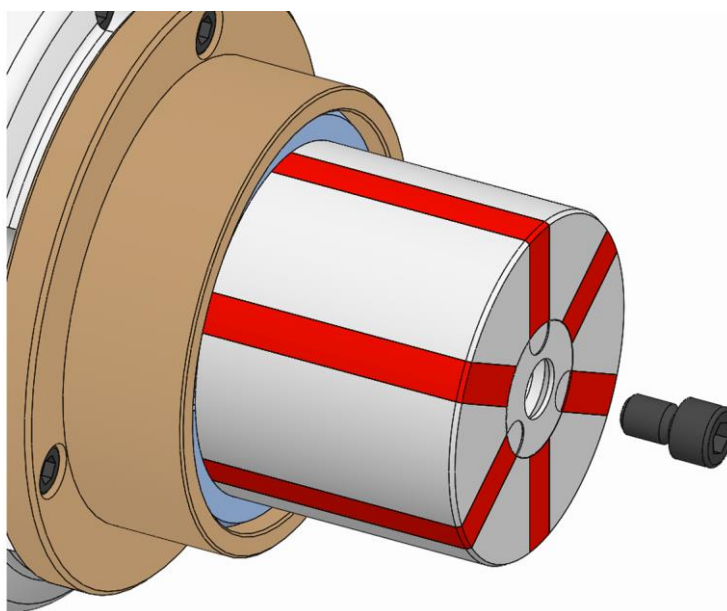


1. Unfasten and remove the fixing screw on the changing part.

MANDO Adapt T212 Removal

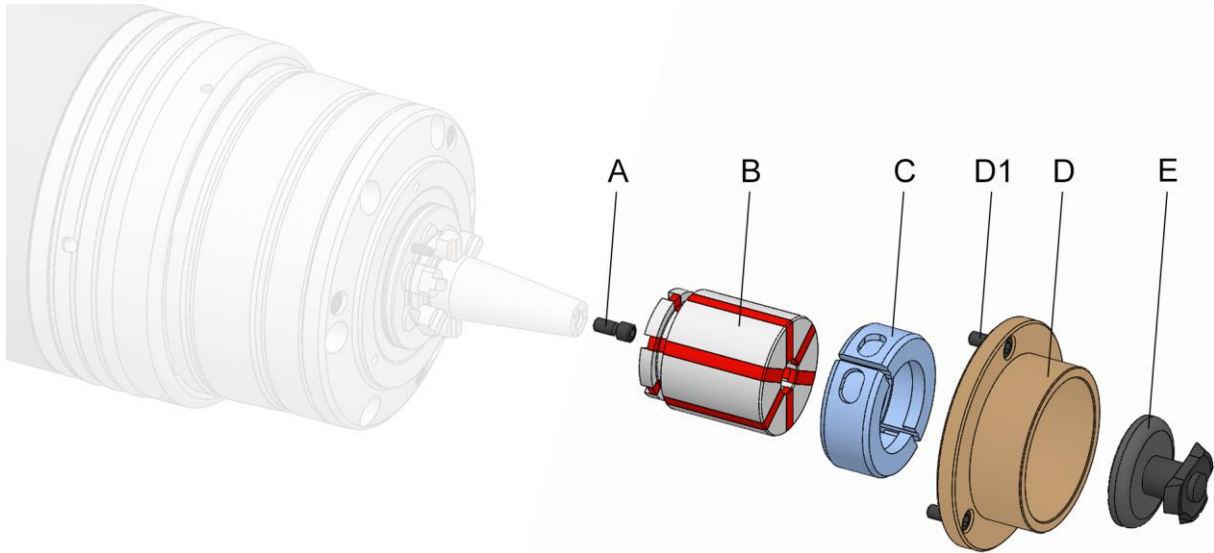


2. Take the changing part off the product.



3. Screw in the screw plug and tighten to the specified tightening torque [see »Screw tightening torques« chapter].

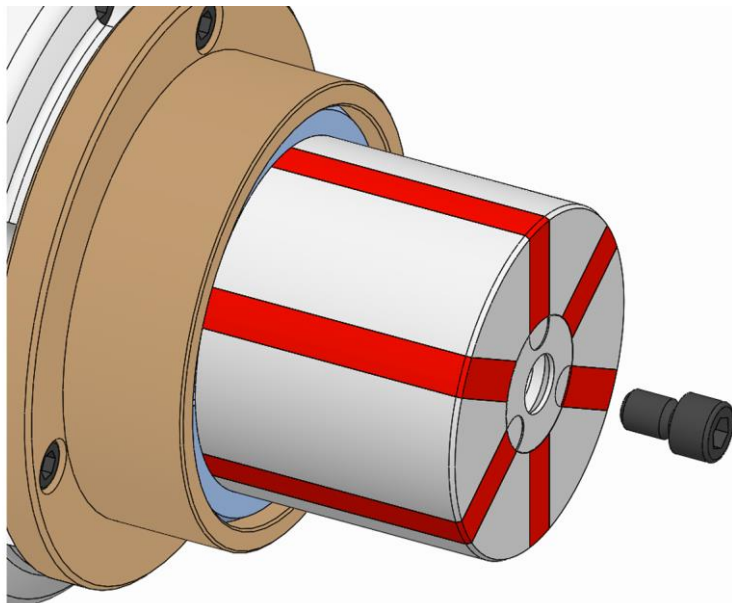
10.4 Removal of the clamping element



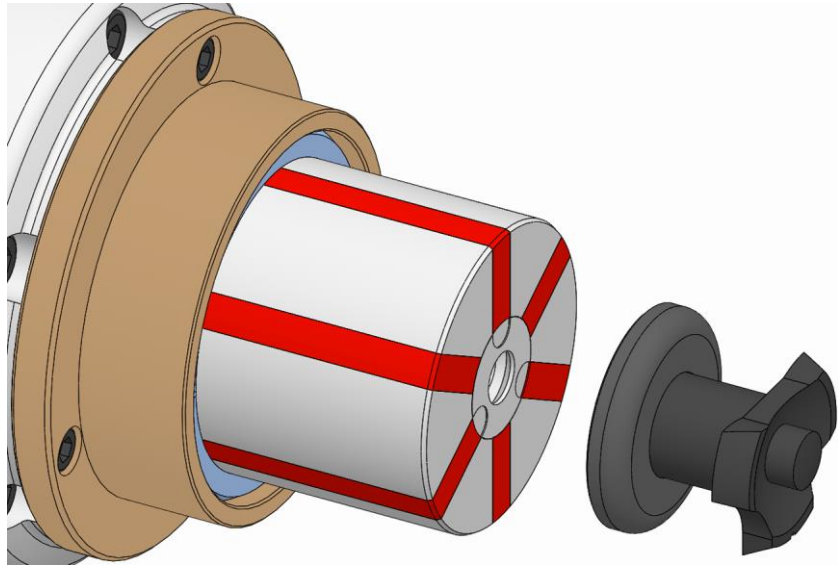
- A Screw plug
- B Segment clamping bushing [clamping element]
- C Coupling ring
- D Twist-off sleeve / workpiece end-stop
- D1 Retaining screws on twist-off sleeve / workpiece end-stop
- E Changing aid

Special aids needed:

- If necessary, use a changing aid [depending on size]
1. As described in the »Preparing the machine for removal« chapter, prepare for the following steps.
 2. Move the clamping device into release position.



3. If a changing aid is included in the scope of delivery, unfasten and remove the screw plug.

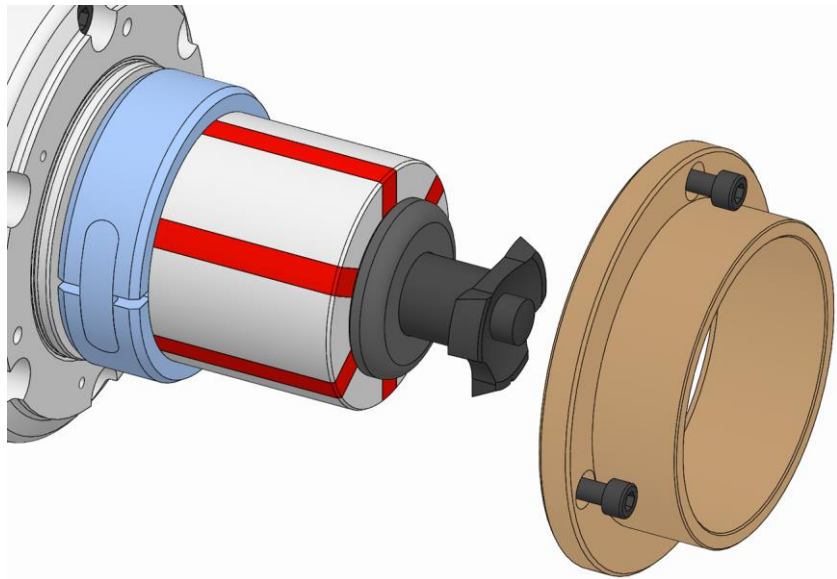


CAUTION

Injuries caused by falling clamping element when installed / removed incorrectly!

- Secure the clamping element to prevent it from falling out.
- If a changing aid is included in the scope of delivery, use it to secure the clamping element.

4. If necessary, fit the changing aid.

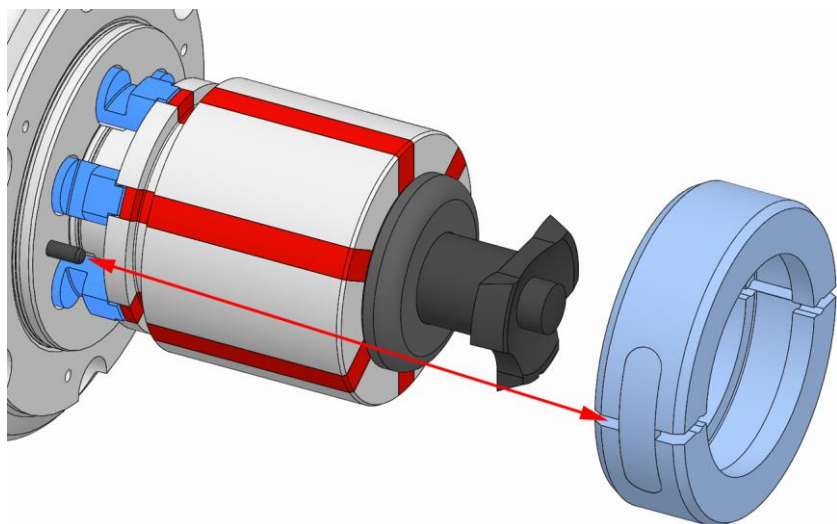


WARNING

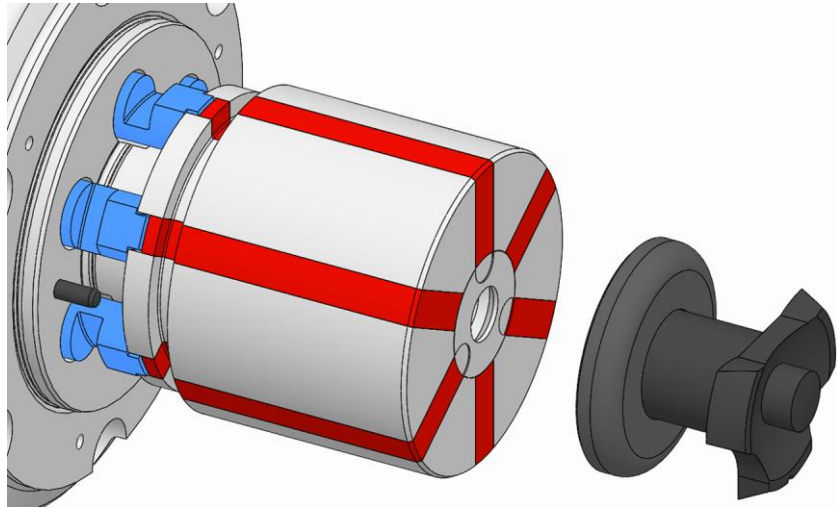
Serious injuries caused by the coupling ring being ejected centrifugally after incorrect installation!

- The coupling ring must never be installed without the rotary extractor sleeve / the workpiece end-stop.
- If installation / removal work is interrupted, either remove the coupling ring [rotary extractor sleeve / workpiece end-stop is not fully installed], or the rotary extractor sleeve / the workpiece end-stop must be fully installed before the interruption.

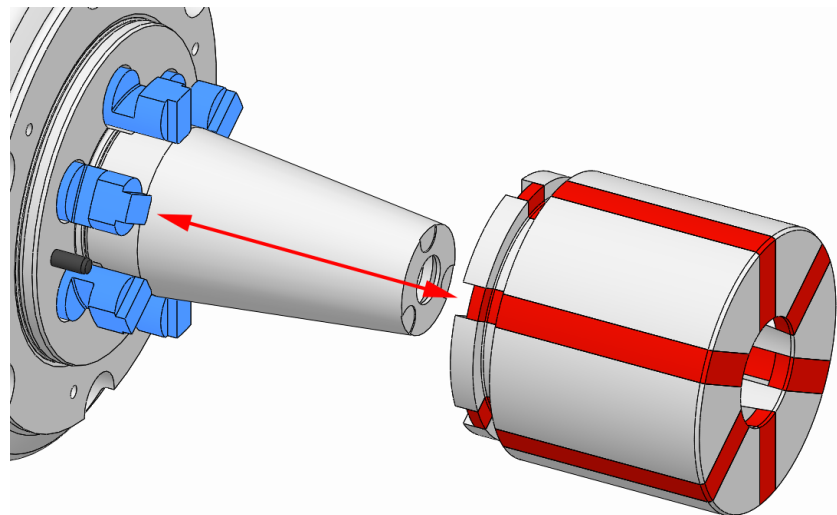
5. Remove the rotary extractor sleeve / the workpiece end-stop [see »Removal of the changing parts« chapter]. To do this, secure the coupling ring and the segmented clamping bushing to prevent them from falling out.



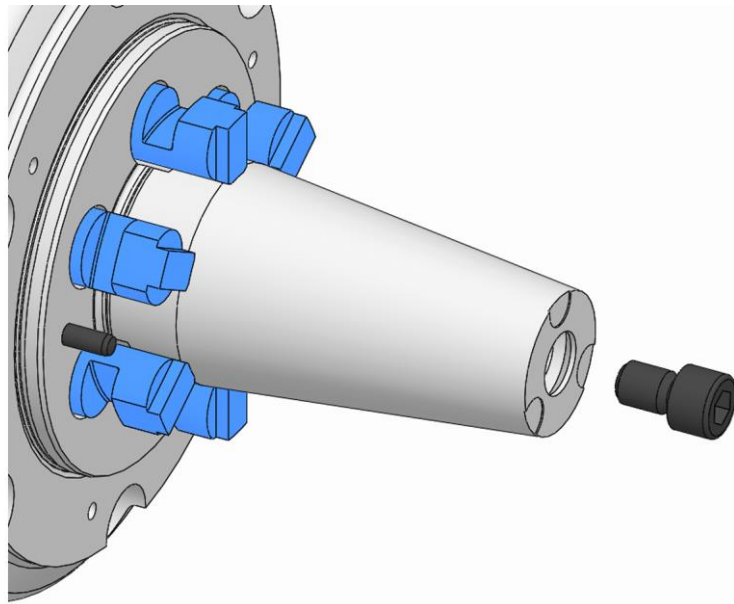
6. Open the coupling ring and remove it.



7. Unfasten and remove the changing aid, which is used where necessary, and secure the segmented clamping bushing to prevent it from falling out.



8. Take the segmented clamping bushing off the product.

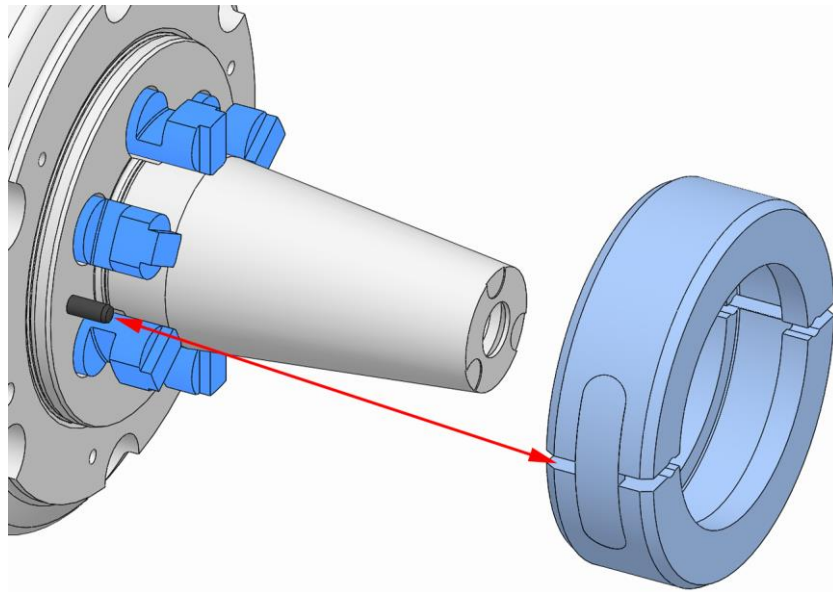


9. Screw in the screw plug and tighten to the specified tightening torque [see »Screw tightening torques« chapter].

If a different clamping element is to be installed, proceed with installation of the clamping element [see »Installation of the clamping element« chapter].

If the product is to be removed, proceed with removal of the product [see »Removal of the product« chapter].

If no clamping element is to be installed, and if the product is to remain on the machine, the following steps are required.



WARNING

Serious injuries caused by the coupling ring being ejected centrifugally after incorrect installation!

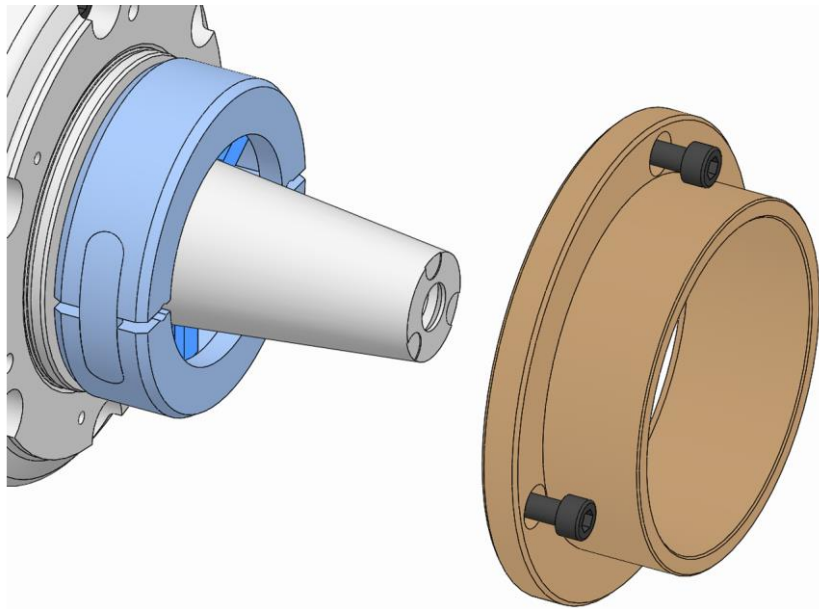
- The coupling ring must never be installed without the rotary extractor sleeve / the workpiece end-stop.
- If installation / removal work is interrupted, either remove the coupling ring [rotary extractor sleeve / workpiece end-stop is not fully installed], or the rotary extractor sleeve / the workpiece end-stop must be fully installed before the interruption.



INFORMATION

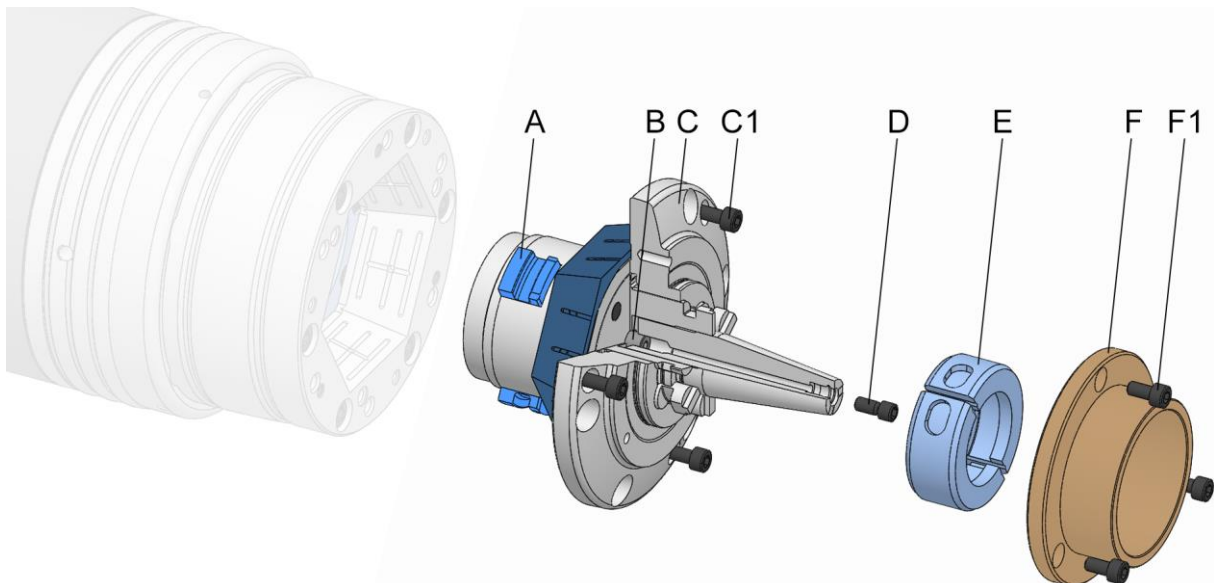
Depending on size, positioning marks can be applied to the coupling ring and the product.

10. Place the coupling ring around the coupling on the product so that the pins in the product are aligned with the bores in the coupling ring, paying attention to the marks if necessary. For this, the coupling ring must engage in the groove in the coupling. Keep the coupling ring closed.



11. Install the rotary extractor sleeve / the workpiece end-stop over the coupling ring on the product [see »Installation of the changing parts« chapter].

10.5 Removal of the product



- A Coupling slider
- B Screw plug
- C Adaptation clamping device
- C1 Fixing screws adaptation clamping device
- D Screw plug
- E Coupling ring
- F Twist-off sleeve / workpiece end-stop
- F1 Retaining screws on twist-off sleeve / workpiece end-stop

1. As described in the »Preparing the machine for removal« chapter, prepare for the following steps.

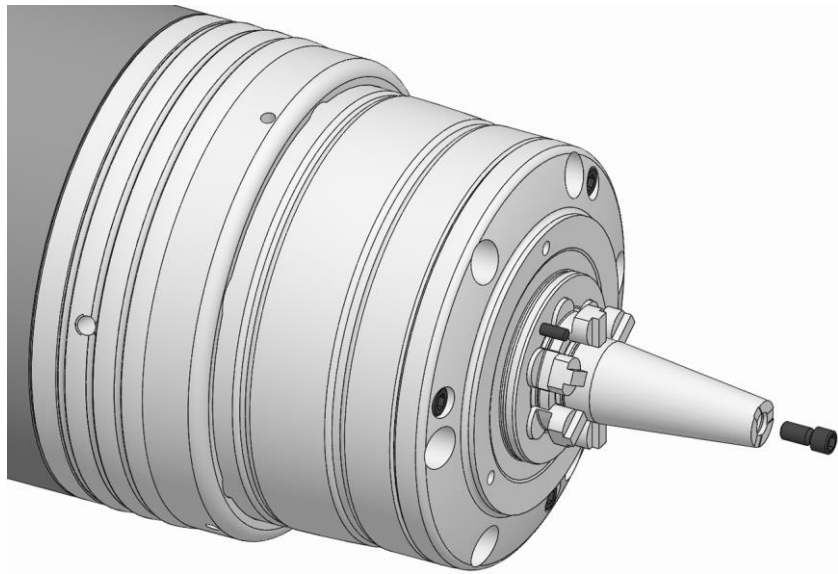
10.5.1 Removal of the adaptation clamping device



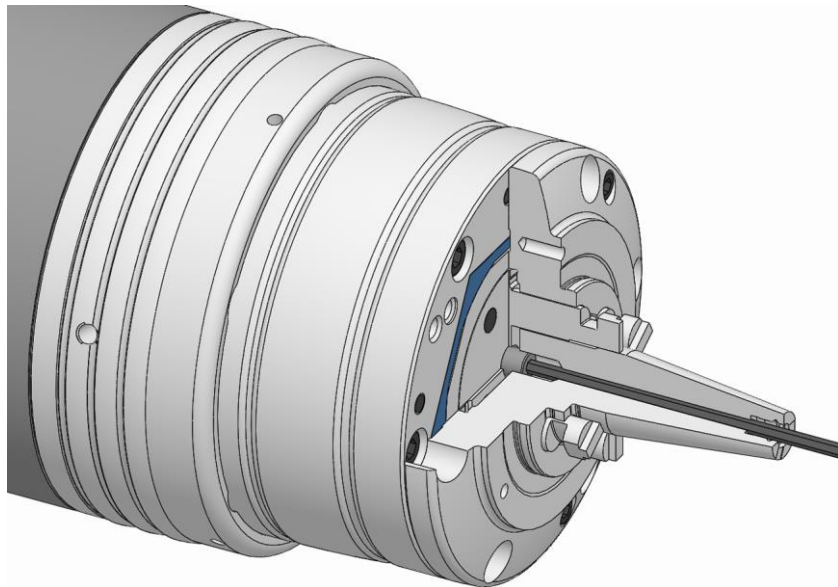
INFORMATION

To remove the product, the rotary extractor sleeve and the coupling ring must be removed [see »Removal of the clamping element« chapter].

1. Attach any lifting gear that may be required.
2. If necessary, fit the mounting aid onto a vertically suspended spindle.
3. Move the basic clamping device into its release position.

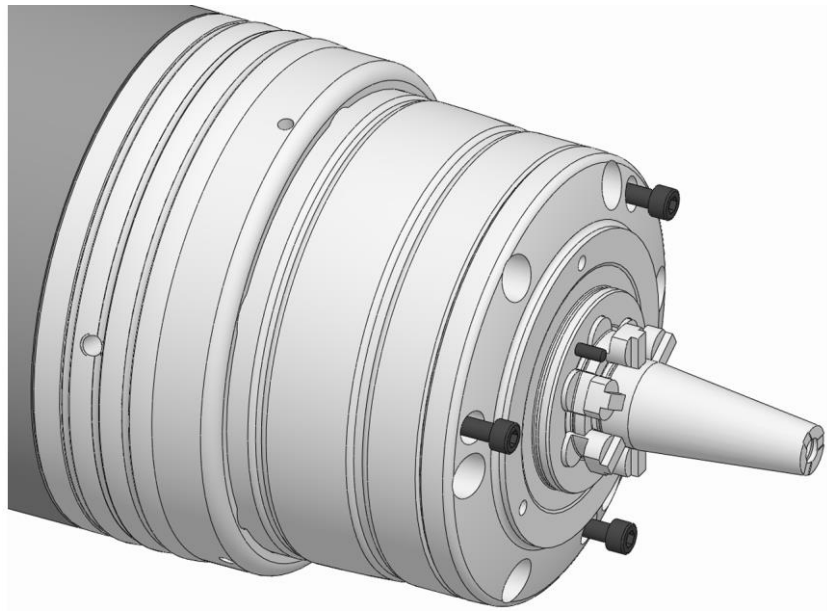


4. Unfasten and remove the screw plug.

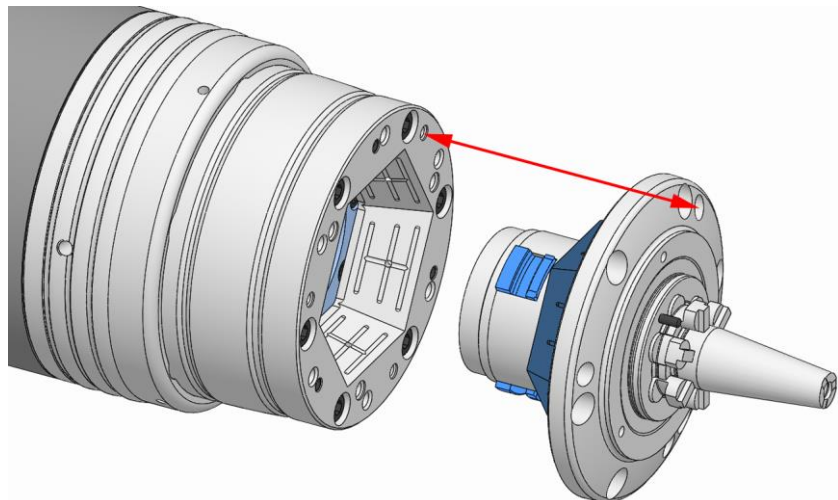


5. Unfasten the locking screw to its limit stop.

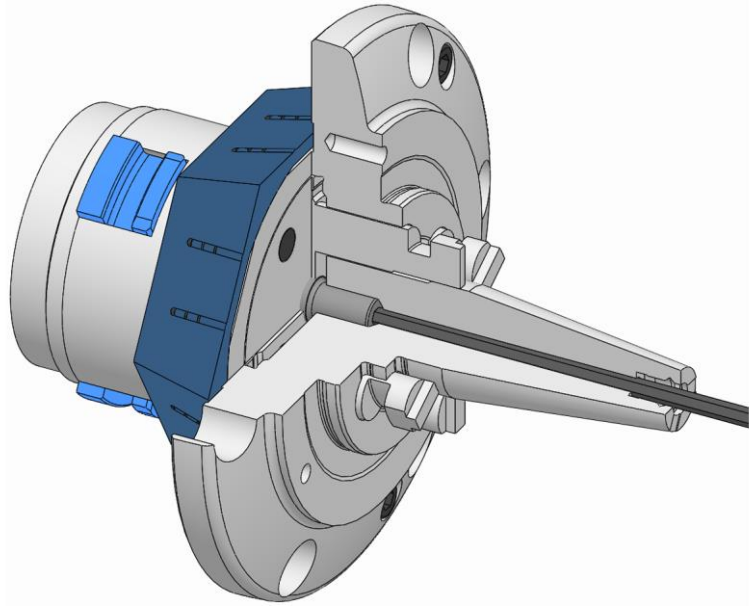
MANDO Adapt T212 Removal



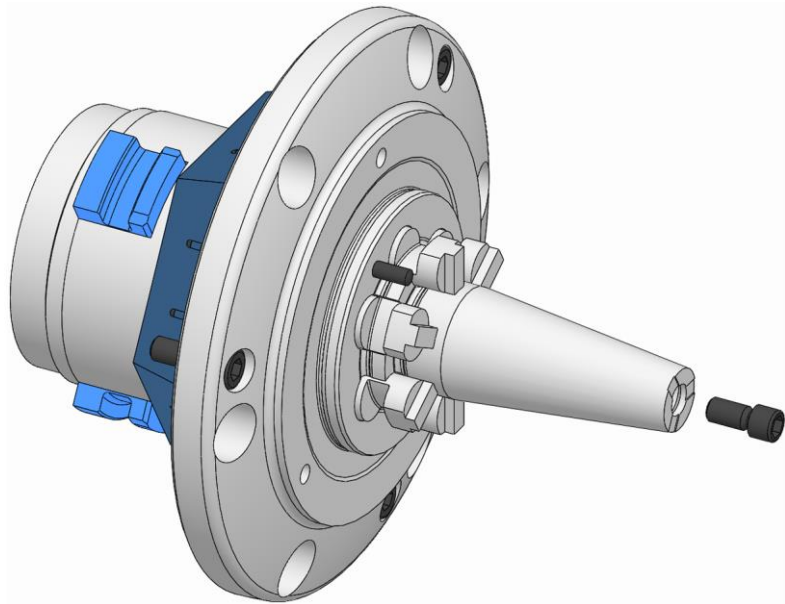
6. Unfasten and remove the fixing screws on the adaptation clamping device.



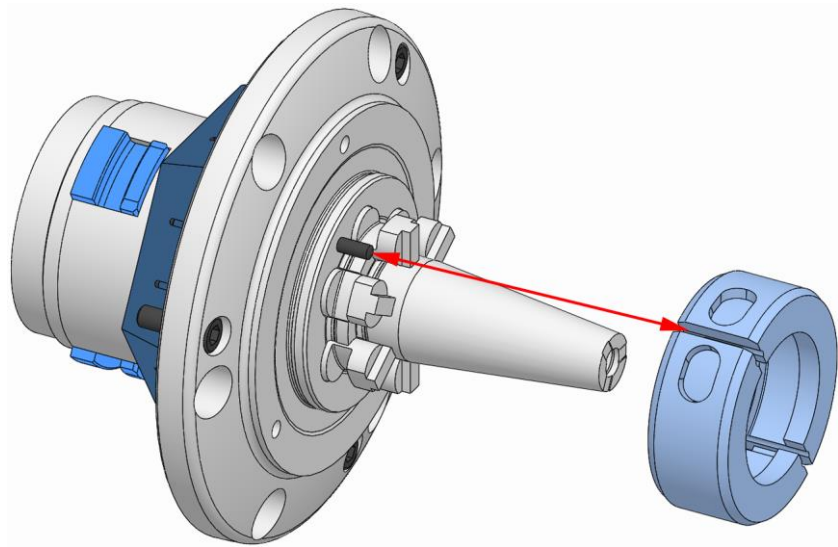
7. Remove the adaptation clamping device from the basic clamping device.



8. Install the screw plug and tighten it to the specified tightening torque [see »Screw tightening torques« chapter].



9. Screw in the screw plug and tighten to the specified tightening torque [see »Screw tightening torques« chapter].



WARNING

Serious injuries caused by the coupling ring being ejected centrifugally after incorrect installation!

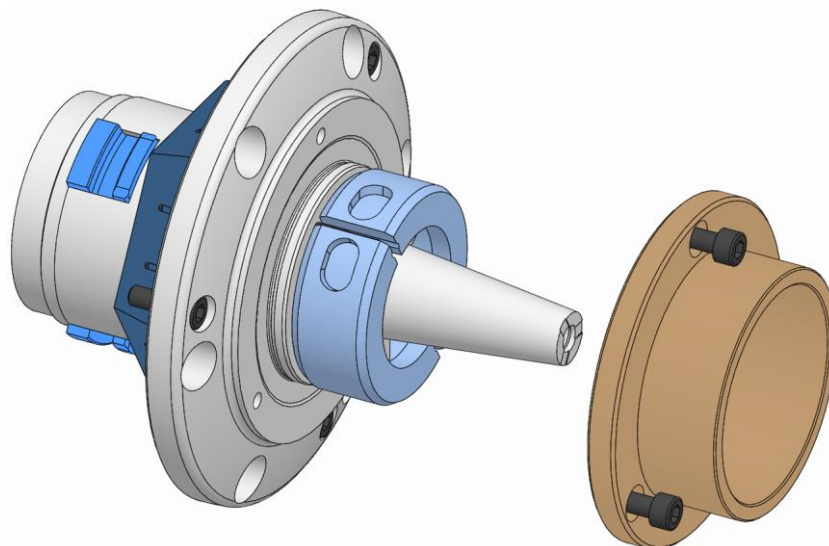
- The coupling ring must never be installed without the rotary extractor sleeve / the workpiece end-stop.
- If installation / removal work is interrupted, either remove the coupling ring [rotary extractor sleeve / workpiece end-stop is not fully installed], or the rotary extractor sleeve / the workpiece end-stop must be fully installed before the interruption.



INFORMATION

Depending on size, positioning marks can be applied to the coupling ring and the product.

10. Place the coupling ring around the coupling on the product so that the pins in the product are aligned with the bores in the coupling ring, paying attention to the marks if necessary. For this, the coupling ring must engage in the groove in the coupling. Keep the coupling ring closed.



11. Install the rotary extractor sleeve / the workpiece end-stop over the coupling ring on the product [see »Installation of the changing parts« chapter].

11 Maintenance

11.1 Maintenance safety



WARNING

Serious injuries caused by parts being ejected centrifugally after a loss of clamping power!

- Maintain the maintenance and cleaning intervals of the product at all times.
- It is essential to check the maintenance status of the product at regular intervals with a structural clamping force measurement.



CAUTION

Health risks caused by incorrect handling of cleaning agents!

- Pay attention to hazard specifications and the safety data sheet of the manufacturer.



INFORMATION

If necessary, use any forcing / extraction threads in the components of the product, changing parts or clamping elements.

11.2 Maintenance schedule

The following sections describe the maintenance work needed to ensure optimum and fault-free operation.

If increased levels of wear are detected during regular checks, shorten the maintenance intervals to reflect the actual rate at which signs of wear appear.

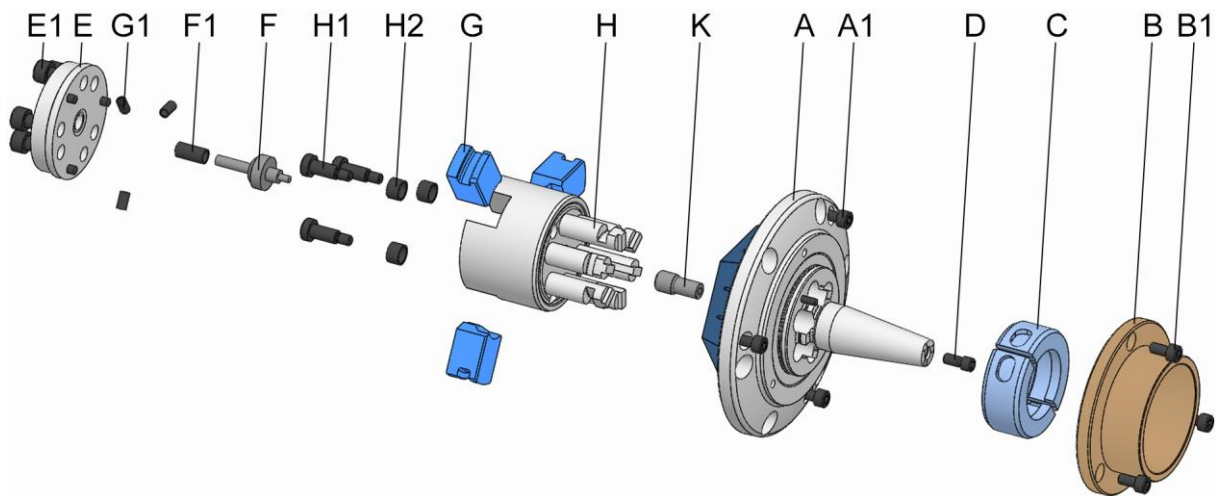
Contact the manufacturer for questions relating to maintenance work and maintenance intervals [see »Contact« chapter].

Interval	Maintenance work
daily	Visual inspection of clamping and mating surfaces for signs of wear, nicks and cracks [see »Visual inspection« chapter]
	Visual inspection of the rubber on the CENTREX ring and on the locating taper for wearing points, nicks and cracks [see »Visual inspection« chapter]
	Visual inspection of rubber on clamping element for signs of wear, nicks and cracks [see »Visual inspection« chapter]
	Complete cleaning if heavily soiled [see »Cleaning« chapter]
	Conduct a structural clamping force measurement
weekly or after 40- operating hours*	Remove the clamping element [see »Removal of the clamping element« chapter]
	Clean the clamping element, clamping taper and coupling area [see »Cleaning« chapter]
six-monthly or after 3000 operating hours*	Completely clean the product [see »Cleaning« chapter]
	Lubricate the product [see »Lubricating the product« chapter]
with storage	See »Storage« chapter

* depending upon which stipulation is achieved first

Table 10: Maintenance table

11.3 Cleaning



- A Drift body
- A1 Fixing screws on drift body
- B Twist-off sleeve / workpiece end-stop
- B1 Fixing screws on twist-off sleeve / workpiece end-stop
- C Coupling ring
- D Screw plug
- E Coupling cover
- E1 Coupling cover fixing screws
- F Locking pin
- F1 Spring locking pin
- G Coupling slider
- G1 Coupling slider springs
- H Coupling
- H1 Fixing screws coupling
- H2 Springs, coupling
- K Locking screw



WARNING

Eye injuries and cuts caused by failure to wear protective clothing during cleaning operation!

- Never use compressed air to clean the product.
- Also wear the following items of personal protective equipment, in addition to the basic equipment:





NOTE

Damage to seals caused by the wrong solvent!

- To clean the product, never use a solvent that attacks and damages the sealing elements installed. Those installed sealing elements can be made of NBR, Viton and PUR materials.
- To clean the product, never use a solvent that contains ester, nor a polar solvent.



NOTE

Damage to clamping elements caused by the wrong solvent!

- To clean the product, never use a solvent that contains ester, nor a polar solvent.



NOTE

Damage to materials caused by incorrect installation of sealing elements!

- Replace missing or damaged sealing elements.
- Ensure that the sealing elements do not fall out or get damaged during installation / removal, and apply a thin coat of grease if necessary.

Cleanliness of the relevant limit stop and guide diameter are essential for achieving axial and face run-out tolerances.

1. Remove the changing parts and the clamping element from the product [see »Removal of changing parts« and »Removal of clamping element« chapters].
2. Remove the product from the basic clamping device [see »Removal of the adaptation clamping device« chapter].



WARNING

Serious injuries caused by imbalance resulting from incorrect reassembly!

- The product components must be installed back in the same position.
- If necessary, mark out the relative positions of components prior to disassembly.



NOTE

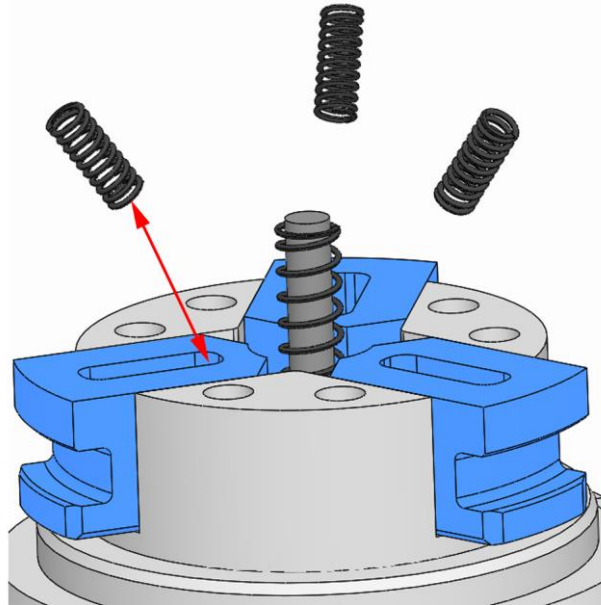
Damage to materials caused by incorrect Removal of the product!

- More extensive disassembly than shown on the exploded drawing is prohibited.

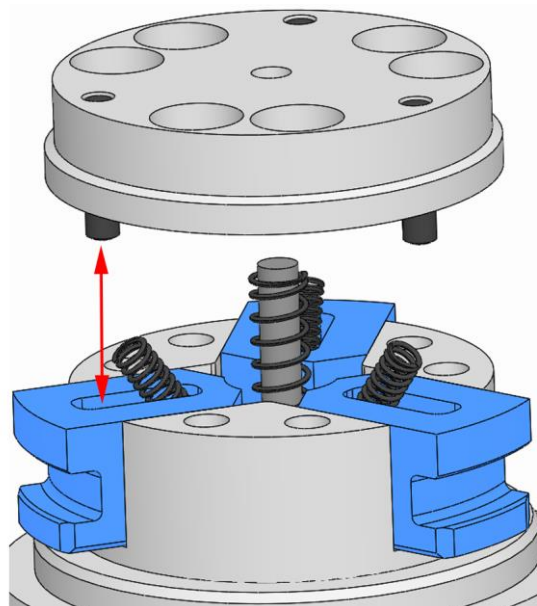
3. Dismantle the product as shown on the exploded drawing. Pay attention to the following during disassembly:
 - Unfasten the coupling cover fixing screws uniformly, alternately and crosswise.
 - Unfasten the coupling fixing screws uniformly, alternately and crosswise.
 - Pay attention to the sequence and arrangement of the springs because these need to be reinstalled in the same place.
4. Clean all oil and grease residues off all components with an ester-free, non-polar, soft, lint-free cloth and check for visible signs of damage.
5. Assemble the product in accordance with the exploded drawing and lubricate during assembly [see »Lubricating the product« chapter]. Pay attention to the following during assembly:
 - Replace worn or damaged fixing screws.
 - Tighten all fixing screws to the specified tightening torque [see nomenclature and/or »Screw tightening torques« chapter]. When tightening the screws, do so evenly to prevent any distortion under load.
 - Only apply lubricant to the mechanical mating surfaces. Pay attention to notes about lubricants [see »Use of lubricants« chapter].
 - Avoid too much lubricant on the locating face because this can cause face run-out errors.
 - Apply grease to the sealing elements [for example O-rings, rectangular rings] and sealing surfaces. Pay attention to notes about greases [see »Use of lubricants« chapter].
 - Install the coupling cover as described below.
 - Reinstall the springs in the same sequence and arrangement.
6. Conduct a function test of the coupling area of the product [see »Installation of the product« chapter].

Installation of the coupling cover

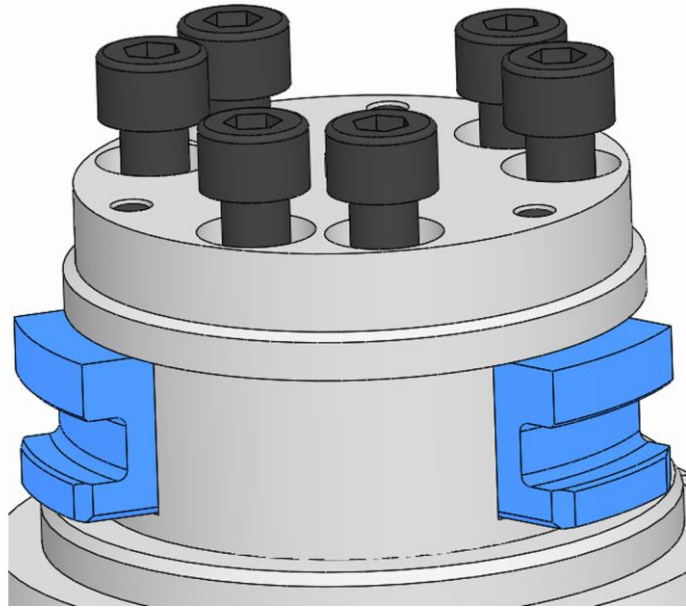
1. Immerse one third of the end of the coupling slider springs in lubricant.



2. Set up the coupling slider springs obliquely in the coupling slider grooves with the help of the lubricant adhering to them.



3. Install the coupling cover centrally and horizontally with its pins aligned with the grooves in the coupling sliders.



4. Screw in the coupling cover fixing screws and tighten to the specified tightening torque [see »Screw tightening torques« chapter].

11.4 Visual inspection

Perform a daily visual inspection of the product to identify any damage to the product at an early stage.

Check the product for cracks and damage, in particular on the clamping and end-stop surfaces.

The rubber on the clamping element also needs to be examined for cracks and signs of damage.

The rubber on the CENTREX ring also needs to be examined for cracks and signs of damage.

A check is also required to ensure that all fixing screws are tightened down.

If damage is detected, the relevant components must be exchanged immediately for genuine spare parts from the manufacturer.

Complete cleaning of the product is required if heavily soiled [see »Cleaning« chapter].

11.5 Lubricating the product



DANGER

Serious injuries caused by workpiece being ejected centrifugally due to insufficient lubrication of the product!

- Maximum clamping force is reduced by approximately 20% if lubrication is insufficient.
- Always comply with the maintenance intervals [see »Maintenance schedule« chapter].

Lubrication takes place every time the system is cleaned, maintained or assembled, and also when required.

1. Dismantle the product for lubrication purposes. Consult the »Cleaning« chapter for details of the level of disassembly required.
2. At all lubrication points, remove escaping, consumed or surplus grease, and dispose of it in accordance with locally enforceable legislative provisions.
3. After lubrication, perform the entire stroke several times.

11.6 Use of lubricants

To achieve ultimate performance from the products, use the specified lubricants.

Only use grease that complies with the fundamental requirements governing adhesion, pressure resistance and solubility in coolants. Furthermore, there must be no particles of dirt in the grease because these cause an operational malfunction if they come between two interference fit surfaces. For this, the following lubricants are recommended:

Special grease GL 261

[see the HAINBUCH product catalogue]



NOTE

Malfunction of the product due to a combination of different greases!

- Never mix different greases with one another.
- Clean the product completely before using a different grease.

12 Disposal

If no agreement exists for return or disposal, send dismantled components off for recycling.



NOTE

Substantial damage to the environment can result from incorrect disposal of environmentally hazardous substances!

- Lubricants, auxiliary materials and operating fluids are governed by legislation for the processing of special-category waste: All disposal to be performed by authorized waste disposal specialists.

Catch exchanged oils and greases in suitable containers and dispose of them in accordance with applicable local provisions.

The local municipal authority or specialist waste disposal companies can provide information about environmentally compliant disposal.

13 Faults

The following chapter describes possible causes for faults, and the work involved in remedial action.

If multiple faults occur, shorten the maintenance intervals in accordance with actual load levels.

Contact the manufacturer if faults occur that cannot be remedied by following these instructions [see »Contact« chapter].

13.1 Procedure with faults

This applies in all cases:

1. With faults that constitute an immediate danger to people or capital equipment, press the Emergency Stop button on the machine tool immediately.
2. Establish the cause of the fault.
3. If troubleshooting requires work to be conducted in the danger area, switch the machine tool into set-up mode.
4. Notify the person on location of the fault immediately.
5. Depending on the type of fault, get it remedied by authorized and appropriately skilled specialists.



INFORMATION

The troubleshooting table in the following section provides information about who is authorized to remedy a given fault.

6. In the event of a fault not caused by the product, the fault may be caused by something close to the machine tool. For this, refer to the operating instructions of the machine tool.

13.2 Fault table

Fault	Possible cause	Remedial action	Remedied by
Defective axial strokes in the adaptation clamping device	Dirt in the parts in the power flow	Remove and clean the clamping element and, if necessary, remove, dismantle and clean the adaptation clamping device	Skilled specialist
	Incorrect coupling position	Check the coupling position and align with the adaptation clamping device	
Clamping element cannot be swapped in or out	Defective axial strokes in the adaptation clamping device	See fault »Defective axial strokes in the adaptation clamping device«	
Adaptation clamping element cannot be swapped in or out	Defective axial strokes in the basic clamping device	See operating instructions for the basic clamping device	
	Adaptation clamping device not unlocked	Unlock the adaptation clamping device manually [see »Unlocking the adaptation clamping device manually« chapter]	Skilled specialist
	The coupling sliders do not move automatically	Clean the adaptation clamping device	Skilled specialist
Clamping force is too weak	Workpiece outside the clamping width diameter	Use a suitable clamping element	
	Axial actuation force is too weak	Check machine setting and correct if necessary	Skilled specialist
	Stroke limitation by the workpiece end-stop	Use an appropriate workpiece end-stop	
	Coupling ring works loose	Install a suitable workpiece end-stop	
Clamping force is too high	Axial actuating force is too high	Check machine setting and correct if necessary	Skilled specialist
Geometry deviation on the workpiece	Axial run-out error on the adaptation clamping device	Check axial run-out of the adaptation clamping device and clean the mating surfaces and locating taper if necessary	Skilled specialist
	Face run-out error on the adaptation clamping device	Check face run-out of the adaptation clamping device and clean the mating surfaces and locating taper if necessary	

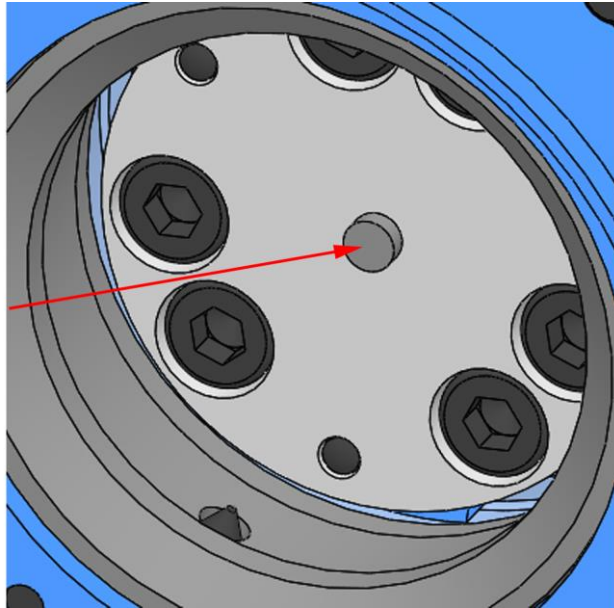
Fault	Possible cause	Remedial action	Remedied by
	Dirty end-stop area	Remove the workpiece end-stop and clean the mating surfaces	
	Dirty coupling area in the clamping element	Remove the clamping element, clean the coupling area and the clamping element	
	Dirty clamping taper	Remove the clamping element and clean the clamping taper	
	Geometry error on the workpiece due to incorrect type of clamping element	Use a suitable clamping element	
	Elastic distortion	Reduce the clamping force to the level applicable for the adaptation clamping device and the workpiece	
		Check the workpiece material	
	Clamping force is too high	Reduce the clamping force to the level applicable for the adaptation clamping device and the workpiece	
	Incorrect type of clamping element	Use a suitable clamping element	
Indentations on the clamping surface	Dirty clamping element	Clean the clamping element	Skilled specialist
	Damaged clamping element	Replace the clamping element	
	Dimensional difference between workpiece diameter and clamping elements is too great	Use clamping element with a suitable clamping diameter	

Table 11: Fault table

13.3 Unlocking the adaptation clamping device manually

If the adaptation clamping device cannot be taken off the basic clamping device during removal, the following steps are needed. For this, the product must be dismantled down to the step »Taking down the adaptation clamping device«.

1. Remove the basic clamping device together with the installed adaptation clamping device [see operating instructions for the basic clamping device].



2. Press the locking pin in as far as possible.
3. Take the adaptation clamping device off the removed basic clamping device.
4. Complete the removal of the adaptation clamping device [see »Removal of the product« chapter].
5. Install the basic clamping device [see operating instructions for the basic clamping device]
6. Clean the adaptation clamping device [see »Cleaning« chapter].

If the locking pin cannot be pressed in, enabling the adaptation clamping device to be separated from the basic clamping device, the adaptation clamping device must then be dismantled through the functional unit of the basic clamping device [see »Cleaning« chapter].

The basic clamping device can be reinstalled [see operating instructions for the basic clamping device].

Clean the adaptation clamping device after disassembly and reassemble the adaptation clamping device [without the functional unit of the basic clamping device]. [see »Cleaning« chapter].

13.4 Commissioning after a fault has been remedied

After the fault has been remedied, perform the following steps to recommission it:

1. Reset the emergency stop equipment.
2. Acknowledge the fault on the control unit of the machine tool.
3. Ensure that no-one is in the danger area.
4. Start the machine tool.

14 Annex

14.1 Contact

The following hotlines are available to you for orders, schedule tracking and emergencies.

Order hotline

Ordered quickly, supplied swiftly. Just phone:

+49 7144. 907-333

Tracking hotline

Current status of your order? Just call:

+49 7144. 907-222

24 hour emergency phone line

Has a system crash occurred, or some other technical emergency?

Our experts are there for you around the clock:

+49 7144. 907-444

For advice or help, you can contact the sales partners and service staff listed in www.hainbuch.com.

14.2 Manufacturer certification

Manufacturer certification is supplied with the product and with this manual.

Index directory

A		Lubricants.....	23, 102
Accessories, needed		M	
Segmented clamping bushing	29	Maintenance schedule	96
Accessories, required		Misuse.....	15
Basic clamping device	29	O	
Workpiece end-stop.....	29	Operating conditions	27
Accessories, special aids		P	
Changing aid	29	Packaging	35
B		Performance values	26
Balancing quality.....	26	Personnel requirements	13
Brief description	28	Electricians.....	14
C		Hydraulics specialist	14
Checking the total stroke	70	Pneumatics specialist	14
Cleaning.....	97	Skilled specialist.....	13
Copyright	9	Trainees	14
D		Preservation	36
Definition of terms.....	8	Protective equipment	
E		Hair net	17
End of production.....	73	Hard hat	17
Environmental protection	23	Protective gloves.....	17
F		Protective goggles	17
Fault table	105	Safety footwear	17
Faults	104	Workplace clothing.....	16
Function check of the coupling range	44	R	
H		Removal	
Hazards	17	Clamping element	83
I		Preparation of the machine	76
Installation		Product.....	89
Changing part	61	Removal of changing parts.....	76
Clamping element.....	55	S	
Preparation of the basic clamping		Safety	
device	42	Commissioning	68
Preparation of the machine.....	42	General	12
Preparation of the product	47	Maintenance	95
Product	43	Removal.....	74
Installation safety	37	Transport, packaging, storage	33
Intended use	14	Scope of delivery.....	9
K		Screw tightening torques	
Key to symbols.....	7	Aluminum components.....	40
L		Metric control threads	40
Layout.....	28	Screw plug	41
Liability.....	9	Spare parts.....	10
Limits of use.....	30	Speed.....	27

Storage	36	Type designation	27
Symbols on the packaging	34	U	
T		Unpacking	35
Technical data.....	24	Use.....	30
Tests	70	W	
Transport inspection	34	Warranty.....	11
Transportation, internal	35		



HAINBUCH GMBH · SPANNENDE TECHNIK

Postfach 1262 · 71667 Marbach / Erdmannhäuser Strasse 57 · 71672 Marbach · Germany

Tel. +49 7144.907-0 · Fax +49 7144.18826 · verkauf@hainbuch.de · www.hainbuch.com

24 hour emergency phone line + 49 7144.907-444

11.2021 · 029.11/0085 EN · Technical modifications reserved