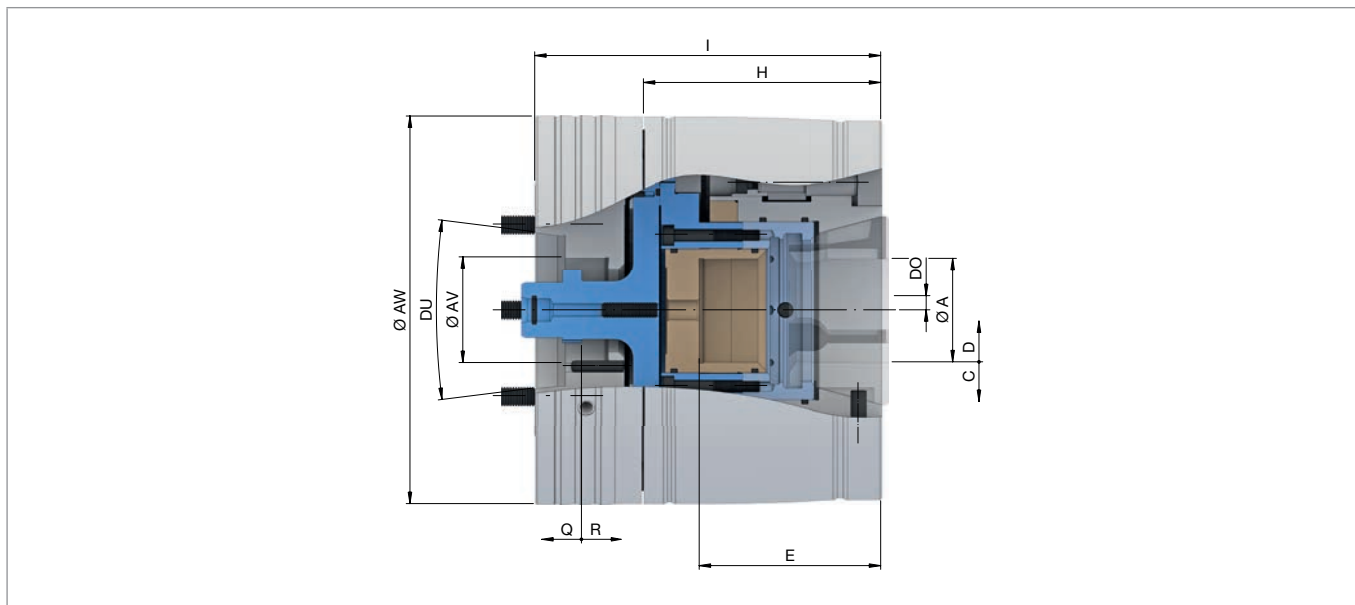


# CHUCKS

## Eccentric chuck



### Eccentric chuck. Technical data and order overview



Size	65			
Spindle nose	DU	A2-5	A2-6	A2-8
Run-out ≤ [mm]			0,020	
Max. radial clamping force [kN]			105	
Max. axial drawtube force [pull / push] [kN]			45	
RPM n max. [1/min.]			6000	
Max. eccentricity [mm]	DO		15	
Clamping range [mm]	A		3 – 65	
Release stroke in Ø [mm]	C		0,6	
Reserve stroke in Ø [mm]	D		1	
End-stop depth [mm]	E		96	
Length [mm]	H		125,5	
Total length [mm]	I		183	
Reserve stroke axial [mm]	Q		2	
Release stroke axial [mm]	R		2,5	
Outer Ø [mm]	AW		205	
Inner Ø [mm]	AV		56	
Weight [kg]		40	39,5	38,6
In stock		-	-	-
Material no.		10002123	10002124	10002125

Please note: RPM depends upon the chuck position and workpiece.  
Machine spindle standard DIN ISO 702-1.

➔

	
Clamping heads	Accessory overview
Page 430	Page 478

#### Scope of delivery

- Eccentric chuck
- Adjustment tool