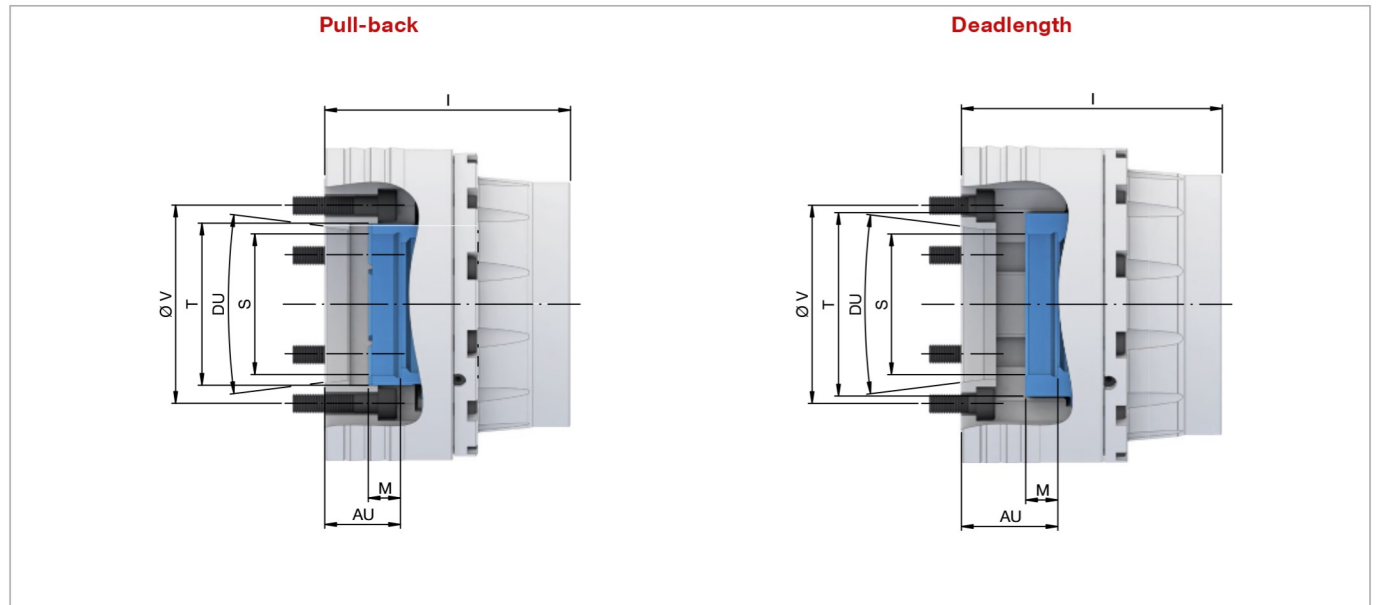


SPINDLE CONNECTION DATA

TOPlus mini chuck

TOPlus mini. Spindle connection data



Size	26			
Variant	Pull-back			
Spindle nose	DU	KK4	KK5	
Total length [mm]	I	102		125
Depth of thread [mm]	M	15		
Connecting thread inside	S	M54 x 1,5		M72 x 1,5
Position in clamped position [mm]	AU	34		57
Bolt hole circle	V	LK Ø 82,6 [6 x M10]		LK Ø 104,8 [6 x M10]
Material		10000752	10000753	10000754

Size	26					
Variant	Deadlength					
Spindle nose	DU	KK4	KK5			
Total length [mm]	I	99	110	101	110	130
Depth of thread [mm]	M	15				
Connecting thread inside	S	M58 x 1,5				
Position in clamped position [mm]	AU	30	41	32	41	61
Bolt hole circle	V	LK Ø 82,6 [6 x M10]		LK Ø 104,8 [6 x M10]		
Material		10000797	10000798	10000799	10000800	10000801

Size	40						
Variant	Pull-back						
Spindle nose	DU	KK4	KK5	KK6			
Total length [mm]	I	125	117	125	143	124	142
Depth of thread [mm]	M	15					
Connecting thread inside	S	M72 x 1,5			M84 x 1,5		
Position in clamped position [mm]	AU	40	32	40	58	38	56
Bolt hole circle	V	LK Ø 82,6 [6 x M10]	LK Ø 104,8 [6 x M10]			LK Ø 133,4 [6 x M12]	
Material		10000755	10000756	10000757	10000758	10000759	10000760

Size	40		
Variant	Pull-back		
Spindle nose	DU	AP120	AP140
Total length [mm]	I	106	118
Depth of thread [mm]	M	15	
Connecting thread inside	S	M72 x 1,5	
Position in clamped position [mm]	AU	21	33
Bolt hole circle	V	LK Ø 104,8 [6 x M10]	
Material		10000761	10000762
			10000786

SPINDLE CONNECTION DATA

TOPlus mini chuck

Size	40						
Variant	Deadlength						
Spindle nose	DU	KK4		KK5		KK6	
Total length [mm]	I	123	115	123	140	122	139
Depth of thread [mm]	M	15					
Connecting thread inside	S	M72 x 1,5			M62 x 1,5		
Connecting thread outside	T	M72 x 1,5					
Position in clamped position [mm]	AU	40,2	32,2	40,2	57,2	39,1	56,1
Bolt hole circle	V	LK Ø 82,6 [6 x M10]		LK Ø 104,8 [6 x M10]		LK Ø 133,4 [6 x M12]	
Material		10000802	10000803	10000804	10000805	10000806	10000807

Size	52							
Variant	Pull-back							
Spindle nose	DU	KK5		KK6		KK8		
Total length [mm]	I	122	145	122	145	120	145	
Depth of thread [mm]	M	15						
Connecting thread inside	S	M72 x 1,5			M90 x 1,5		M72 x 1,5	
Connecting thread outside	T	M82 x 1,5						
Position in clamped position [mm]	AU	37	60	37	60	35	60	
Bolt hole circle	V	LK Ø 104,8 [6 x M10]		LK Ø 133,4 [6 x M12]		LK Ø 171,4 [6 x M16]		
Material		10000764	10000765	10000766	10000767	10000784	10000785	

Size	52						
Variant	Pull-back						
Spindle nose	DU	AP110		AP120		AP140	
Total length [mm]	I	120	105	115	105	115	
Depth of thread [mm]	M	15					
Connecting thread inside	S	M72 x 1,5			M62 x 1,5		
Connecting thread outside	T	M72 x 1,5					
Position in clamped position [mm]	AU	35	20	30	20	30	
Bolt hole circle	V	LK Ø 95 [6 x M8]		LK Ø 104,8 [6 x M10]			
Material		10000782	10000768	10000769	10000770	10000771	

Size	52						
Variant	Deadlength						
Spindle nose	DU	KK5		KK6		KK8	
Total length [mm]	I	122	147	122	147	120	
Depth of thread [mm]	M	15					
Connecting thread inside	S	M72 x 1,5					
Connecting thread outside	T	M82 x 1,5					
Position in clamped position [mm]	AU	38	63	38	63	36	
Bolt hole circle	V	LK Ø 104,8 [6 x M10]		LK Ø 133,4 [6 x M12]		LK Ø 171,4 [6 x M16]	
Material		10000811	10000812	10000813	10000814	10000834	

Size	52							
Variant	Deadlength							
Spindle nose	DU	AP110		AP120		AP140		
Total length [mm]	I	100	115	105	115	107		
Depth of thread [mm]	M	15						
Connecting thread inside	S	M68 x 1,5			M72 x 1,5		M62 x 1,5	
Connecting thread outside	T	M72 x 1,5						
Position in clamped position [mm]	AU	19	34	21	31	23		
Bolt hole circle	V	LK Ø 95 [6 x M8]		LK Ø 104,8 [6 x M10]				
Material		10000831	10000833	10000815	10000816	10000817		

Size	65						
Variant	Pull-back						
Spindle nose	DU	KK5		KK6		KK8	
Total length [mm]	I	124	130	150	126	130	155
Depth of thread [mm]	M	17					
Connecting thread inside	S	M76 x 1,5			M102 x 1,5		
Position in clamped position [mm]	AU	34	40	60	36	40	65
Bolt hole circle	V	LK Ø 104,8 [6 x M10]		LK Ø 133,4 [6 x M12]		LK Ø 171,4 [6 x M16]	
Material		10000787	10000740	10000741	10000742	10000743	10000744

SPINDLE CONNECTION DATA

TOPlus mini chuck

Size		65				
Variant		Pull-back				
Spindle nose		AP120		AP140		AP170
Total length [mm]	I	111	120	111	120	115
Depth of thread [mm]	M	17				
Connecting thread inside	S	M76 x 1,5		M80 x 1,5		M102 x 1,5
Position in clamped position [mm]	AU	21	30	21	30	25
Bolt hole circle	V	LK Ø 104,8 [6 x M10]				LK Ø 133,4 [6 x M12]
Material		10000749	10000750	10000747	10000748	10000751

Size		65					
Variant		Deadlength					
Spindle nose		KK5		KK6		KK8	
Total length [mm]	I	128	138	124	138	163	133
Depth of thread [mm]	M	17					
Connecting thread inside	S	M76 x 1,5			M94 x 1,5		
Position in clamped position [mm]	AU	41	51	36	50	75	45
Bolt hole circle	V	LK Ø 104,8 [6 x M10]		LK Ø 133,4 [6 x M12]		LK Ø 171,4 [6 x M16]	
Material		10000788	10000789	10000790	10000791	10000792	10000793

Size		65			
Variant		Deadlength			
Spindle nose		AP120	AP140	AP170	
Total length [mm]	I	129	138	110	128
Depth of thread [mm]	M	17			
Connecting thread inside	S	M94 x 1,5			
Position in clamped position [mm]	AU	41	50	22	40
Bolt hole circle	V	LK Ø 104,8 [6 x M10]		LK Ø 133,4 [6 x M12]	
Material		10000840	10000795	10000836	10000796

Size		100					
Variant		Pull-back					
Spindle nose		KK5	KK6		KK8		KK11
Total length [mm]	I	160	164	170	162	180	195
Depth of thread [mm]	M	20					
Connecting thread inside	S	M130 x 1,5				M150 x 1,5	
Position in clamped position [mm]	AU	44	48	54	46	64	56
Bolt hole circle	V	LK Ø 104,8 [6 x M10]	LK Ø 133,4 [6 x M12]		LK Ø 171,4 [6 x M16]		LK Ø 235 [6 x M20]
Material		10000772	10000773	10000774	10000775	10000776	10000777

Size		100	
Variant		Pull-back	
Spindle nose		AP170	AP220
Total length [mm]	I	164	150
Depth of thread [mm]	M	20	
Connecting thread inside	S	M130 x 1,5	
Position in clamped position [mm]	AU	48	34
Bolt hole circle	V	LK Ø 133,4 [6 x M12]	LK Ø 171,4 [6 x M16]
Material		10000779	10000780

Size		100					
Variant		Deadlength					
Spindle nose		KK5	KK6		KK8		KK11
Total length [mm]	I	171	175	182	169	192	185
Depth of thread [mm]	M	20					
Connecting thread inside	S	M130 x 1,5					
Position in clamped position [mm]	AU	46	50	57	44	67	60
Bolt hole circle	V	LK Ø 104,8 [6 x M10]	LK Ø 133,4 [6 x M12]		LK Ø 171,4 [6 x M16]		LK Ø 235 [6 x M20]
Material		10000818	10000819	10000820	10000821	10000822	10000823

SPINDLE CONNECTION DATA
TOPlus mini chuck

Size		100		
Variant		Deadlength		
Spindle nose	DU	AP140	AP170	AP220
Total length [mm]	I	171	175	162
Depth of thread [mm]	M	20		
Connecting thread inside	S	M130 x 1,5		
Position in clamped position [mm]	AU	46	50	37
Bolt hole circle	V	LK Ø 104,8 [6 x M10]	LK Ø 133,4 [6 x M12]	LK Ø 171,4 [6 x M16]
Material		10000828	10000825	10000826