


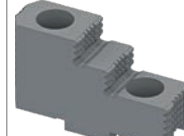
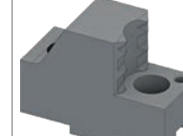



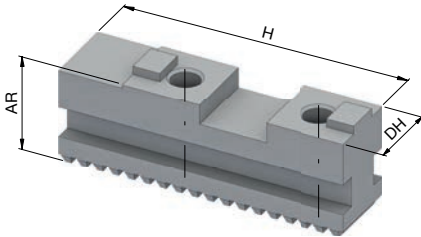
# JAWS

## Jaws for jaw chucks B-Top and B-Top3

### Overview jaws for jaw chuck B-Top and B-Top3

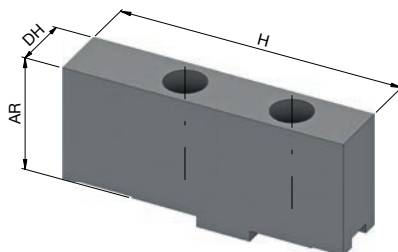
	<b>Master jaws</b>	<b>Top jaws, soft</b>	<b>Top jaws, aluminum</b>	<b>Top jaws, hard</b>	<b>Claw jaws, hard</b>	<b>Profiled stepped jaws, hard</b>
						
Jaw type	GBK	SFA	SFA	SHF	SZKA	GST
Description	Master jaws for use with top jaws	Soft top jaws for in-house machining	Soft top jaws with low jaw mass for in-house machining	Hard stepped top jaws with large clamping range	»All-rounders« with maximum clamping range	Hard profiled stepped jaws with large clamping range
Sizes	165, 215, 260, 315	165, 215, 260, 315	165, 215, 260, 315	165, 215, 260, 315	165, 215, 260, 315	165, 215, 260, 315
Workpiece condition	Finished part Raw material	Finished part	Finished part	Raw material	Raw material	Raw material
Clamping possibilities	I.D. and O.D. clamping	I.D. and O.D. clamping	I.D. and O.D. clamping	I.D. and O.D. clamping	I.D. and O.D. clamping	I.D. and O.D. clamping
In-house machining	No	Yes	Yes	No	No	No
Workpiece geometry	Any	Any	Any	Any	Any	Any

### Master jaws. Technical data

					
<b>Size</b>		<b>165</b>	<b>215</b>	<b>260</b>	<b>315</b>
<b>Jaw type</b>		<b>GBK 160</b>	<b>GBK 200</b>	<b>GBK 250</b>	<b>GBK 315</b>
Jaw connection		Straight			
Connection		Cross offset			
Length [mm]	H	65	85	104	115
Jaw height [mm]	AR	27,5	29,5	37	43
Jaw width [mm]	DH	20	22	26	32
In stock		-	-	-	-
Material no.		10002116	10002117	10002118	10000094

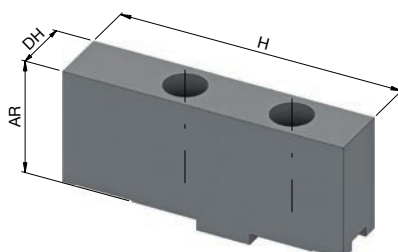
# Jaws for jaw chucks B-Top and B-Top3

## Top jaws, soft. Technical data



Size	<b>165</b>							
Jaw type	SFA 160	SFA 160-C1	SFA 160-C2	SFA 160-C3	SFA 160-C4	SFA 160-C5		
Material	16MnCr5							
Jaw connection	Cross offset							
Length [mm]	H	85		63		70		
Jaw height [mm]	AR	36	51	36		56		
Jaw width [mm]	DH	20	30	35		40		
In stock		-	-	-		-		
Material no.	10002089	10002090		10002091		10002092		
Size	<b>215</b>							
Jaw type	SFA 200	SFA 200-C1	SFA 200-C2	SFA 200-C3	SFA 200-C4	SFA 200-C5		
Material	16MnCr5							
Jaw connection	Cross offset							
Length [mm]	H	105	100	70	85	95		
Jaw height [mm]	AR	43	51	36	56	76		
Jaw width [mm]	DH	22	30	22	40			
In stock		-	-	-	-	-		
Material no.	10002094	10002095	10002096	10002097	10002098	10002099		
Size	<b>260/315</b>							
Jaw type	SFA 250	SFA 250-C1	SFA 250-C2	SFA 250-C3	SFA 250-C4	SFA 250-C5	SFA 250-C6	SFA 250-C7
Material	16MnCr5							
Jaw connection	Cross offset							
Length [mm]	H	125	90		125			90
Jaw height [mm]	AR	50	55	75	95	115		55
Jaw width [mm]	DH	30		40			60	80
In stock		-	-	-	-	-	-	-
Material no.	10002101	10002102	10002103	10002104	10002105	10002106	10002107	10002108

## Top jaws, aluminum. Technical data



Size	<b>165</b>	<b>215</b>	<b>260/315</b>
Jaw type	SFA AL160	SFA AL200	SFA AL250
Material	Aluminum		
Jaw connection	Cross offset		
Length [mm]	H	85	105
Jaw height [mm]	AR	46	55
Jaw width [mm]	DH	25	40
In stock		-	-
Material no.	10002093	10002100	10002109

# JAWS

## Jaws for jaw chucks B-Top and B-Top3

### Top jaws, hard. Technical data

Size		<b>165</b>	<b>215</b>	<b>260/315</b>
Jaw type		<b>SHF 160</b>	<b>SHF 200</b>	<b>SHF 250</b>
Length [mm]	H	63	72	90
Wedge length [mm]	LD		20	
Jaw connection		Cross offset		
Jaw height [mm]	AR	32,5	38	50
Jaw width [mm]	DH	20	22	30
Max. clamping length [mm]	AG	7,5	10	14
Ø clamping range O.D.	DW	23-79	47-127	74-171 / 99-229
Ø clamping range O.D.	DX	62-118	62-142	14-111 / 18-148
Ø clamping range O.D.	DY	81-137	89-169	93-190 / 98-228
Ø clamping range O.D.	DZ	5-61	9-89	10-107 / 15-145
Ø clamping range O.D.	EA	74-130	100-180	77-174 / 102-232
Ø clamping range O.D.	EB	99-155	127-207	157-254 / 182-312
Ø clamping range O.D.	EC	28-84	48-128	
Ø clamping range O.D.	EF	11-67	10-90	
Ø clamping range I.D.	EG	78-134	111-191	155-252 / 180-310
Ø clamping range I.D.	EH	103-159	138-218	235-332 / 260-390
Ø clamping range I.D.	EI	135-191	152-232	173-270 / 179-309
Ø clamping range I.D.	EJ	60-116	73-153	91-188 / 96-226
Ø clamping range I.D.	EK	85-141	100-180	171-268 / 176-306
Ø clamping range I.D.	EL	153-209	190-270	237-334 / 262-392
Ø clamping range I.D.	LB	149-205	191-271	
Ø clamping range I.D.	LE	131-187	152-232	
Swing Ø	AX	205	271	255-352 / 279-409
Swing Ø 2	LC	192	265	326 / 384
In stock		-	-	-
Material no.		10002086	10002087	10002088

### Claw jaws, hard. Technical data

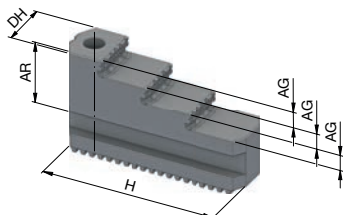
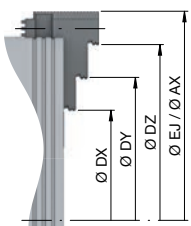
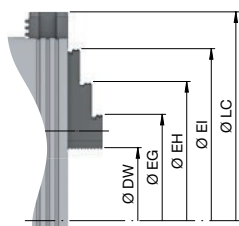
Size		<b>165</b>			<b>215</b>		<b>260/315</b>			
Jaw type		<b>SZKA 163</b>	<b>SZKA 167</b>	<b>SZKA 169</b>	<b>SZKA 212</b>	<b>SZKA 213</b>	<b>SZKA 216</b>	<b>SZKA 263</b>	<b>SZKA 266</b>	<b>SZKA 268</b>
Jaw connection		Cross offset								
Jaw height [mm]	AR	40			45		50			
Jaw width [mm]	DH	30		26	30		40			
Clamping range for master jaw position 1	KW	78-116	123-167	28-68	26-96	97-172	132-207	86-156 / 114-221	143-214 / 143-253	177-247 / 203-313
Clamping range for master jaw position 2	KX	55-98	105-149			59-134	94-196	29-101 / 31-138	87-158 / 60-170	121-192 / 120-230
Max. clamping length [mm]	AG	20			25					
Swing Ø	AX	201			265		326 / 385			
In stock		-	-	-	-	-	-	-	-	-
Material no.		10000010	10002111	10002110	10000040	10000039	10002112	10002113	10002114	10002115

## Jaws for jaw chucks B-Top and B-Top3

### Support bolts for claw jaws

Product	Figure	Height [mm] J	Wrench size [SW] BT	Thread size [M] L	In stock	Material no.
Support bolts for claw jaws		5	10	6	-	10002126
		10			-	20000947
		15			-	10002127
		20			-	10002128
		25			-	10002129

### Profiled stepped jaws, hard. Technical data

Size	<b>165</b>		<b>215</b>	<b>260</b>	<b>315</b>	
Jaw type	<b>GST 160 I</b>	<b>GST 160 II</b>	<b>GST 201</b>	<b>GST 251</b>	<b>GST 315</b>	
Length [mm]	H	58	84,9	107,5	116,3	
Jaw height [mm]	AR	22	29	36	32	
Jaw width [mm]	DH	20	22	26	32	
Max. clamping length [mm]	AG	7	8	10		
Ø clamping range O.D.	DW	13-52	16-50	17-84	20-98	15-125
Ø clamping range O.D.	DX	45-77	49-73	45-120	70-148	82-192
Ø clamping range O.D.	DY	76-108	85-106	92-168	125-202	138-248
Ø clamping range O.D.	DZ	105-138	116-137	140-215	180-256	194-304
Ø clamping range I.D.	EG	47-85	50-84	64-130	81-158	76-186
Ø clamping range I.D.	EH	77-116	80-113	112-178	136-213	130-240
Ø clamping range I.D.	EI	108-147	112-144	160-226	190-263	158-268
Ø clamping range I.D.	EJ	136-171	132-165	186-260	242-316	250-360
Swing Ø	AX	135-168	132-171	186-260	242-316	250-360
Swing Ø 2	LC	125-168	132-171	186-260	234-308	248-258
In stock	-	-	-	-	-	-
Material no.	10002119	10002120	10002121	10002122	10000077	

If absolute run-out is required, the hard profiled stepped jaws must be ground on the chuck.