

INDUSTRY SOLUTIONS

GEARS



Clamping solutions »Gearing up for Precision«

www.hainbuch.com

**HAINBUCH**
WORKHOLDING TECHNOLOGY

**POWER YOU TRUST
RELIABILITY YOU NEED**





The gear industry's go-to source for gear workholding

The grinding and gear cutting industry imposes the highest requirements on the accuracy of clamping devices. For example, the machining of gears is a complex process; top priority is placed on the right technology and manufacturing method. In this regard, all integrated components must meet the highest degree of precision. We adapt our clamping solutions to your materials. Consideration of the interference contour plays a major role here. Whether for transmission, drives or all other components in the automotive industry – HAINBUCH develops and manufactures clamping systems that guarantee economical and process-reliable machining.

HAINBUCH – the specialists in clamping devices

- Over 60 years of experience in workholding technology
- More than 150 patents – creativity is part of our corporate philosophy
- Experts in the area of vulcanization; the combination of steel and rubber
- In-house production of composite components with mineral cast and carbon fiber reinforced plastic [CFRP]
- Quick change-over systems for reduced set-up times
- Years of experience engineering projects within the gear industry

Our expertise shines through

With HAINBUCH solutions many customers produce in a matter that is easier, faster, and more cost-effectively. Do you want to retool faster and increase profits? If so, then you have come to the right place – gear up with us and become a HAINBUCH fan! Contact us at www.hainbuch.com | sales@hainbuch.de

GEAR TECHNOLOGY IS IN EVERYTHING

We have a solution for every application!



Gear shaft



Camshaft bushing



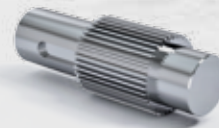
Bevel gear



Timing wheel



Inner race



Spline shaft





Drive shaft



Spur gear



Turbine gear



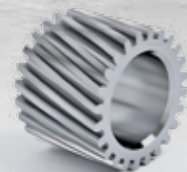
Large gear



Gear



Helical gear



Planetary gear



HAINBUCH CLAMPING SOLUTIONS



Workpiece

Bevel gear

Clamping task

O.D. clamping and axial clamping on the fly in two machining steps on one multi-spindle automatic lathe

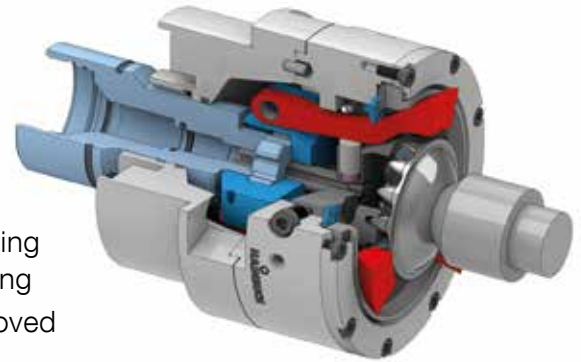
Machining

Turning the bore and the ball surface, incl. outside diameter

Solution: Position-compensating clamping lever chuck

Workholding technology

- Workpiece positioning via toothed workpiece end-stop
- Floating clamping taper and convex bearing supported clamping levers ensure position-compensating outside diameter clamping
- By counter-holding one center, the clamping levers can be moved away and the outer diameter of the tothing can be finished



Workpiece

Helical gear

Clamping task

O.D. clamping

Machining

Honing

Solution: TOPlus mini pull-back chuck

Workholding technology

- TOPlus mini chuck with full surface contact between clamping head and chuck body
- Resistant to contamination
- Minimal interference contour
- Low mass





Workpiece

Drive gear

Clamping task

I.D. clamping

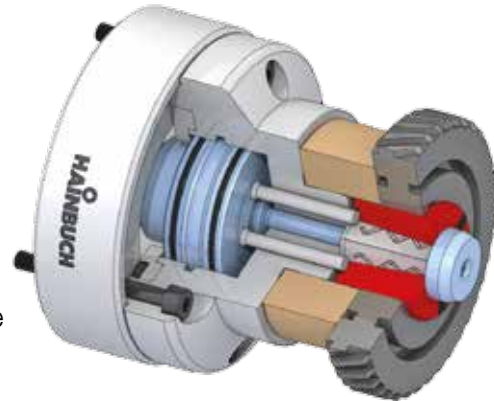
Machining

Gear grinding

Solution: Mandrel MAXXOS

Workholding technology

- TOPlus technology for torsion-free segmented clamping bushings
- Resistant to contamination due to its hexagonal pyramid shape
- Concentric precision ≤ 0.002 mm in the premium version
- Reliable manufacturing



Workpiece

Turbine gear

Clamping task

I.D. clamping

Machining

Gear grinding

Solution: Segmented mandrel T213

Workholding technology

- Large clamping and release stroke for automatic loading
- Mandrel with optimized design and a pull-back effect for increased rigidity
- Draw bolt with chamfer for easy loading
- Quick change-over interface for changing the clamping fixture in only 2 minutes



WE ARE AT YOUR SERVICE – WORLDWIDE

3 locations in Germany | 12 international subsidiaries | more than 40 sales agencies



Find our global subsidiaries and sales agencies at www.hainbuch.com

HAINBUCH GMBH · WORKHOLDING TECHNOLOGY
Postfach 1262 · 71667 Marbach
Erdmannhäuser Straße 57 · 71672 Marbach
Tel. +49 7144.907-0 · Fax +49 7144.18826


HAINBUCH
WORKHOLDING TECHNOLOGY